



Micro Commercial Components

Micro Commercial Components  
 20736 Marilla Street Chatsworth  
 CA 91311  
 Phone: (818) 701-4933  
 Fax: (818) 701-4939

# DTA123JCA

## Features

- # Epitaxial Planar Die Construction
- # Complementary NPN Types Available
- # Built-In Biasing Resistors
- € Case Material: Molded Plastic. UL Flammability Classification Rating 94V-0

## Digital Transistors

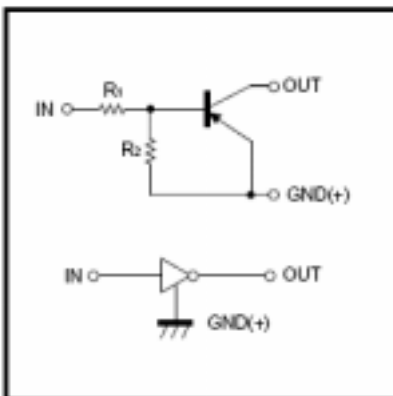
### Absolute maximum ratings @ 25

Symbol	Parameter	Min	Typ	Max	Unit
$V_{CC}$	Supply voltage	---	50	---	V
$V_{IN}$	Input voltage	-5	---	+12	V
$P_d$	Power dissipation	---	200	---	mW
$T_j$	Junction temperature	---	150	---	
$T_{stg}$	Storage temperature	-55	---	150	
$I_O$	Output current		100		mA
$I_{C(MAX)}$			100		

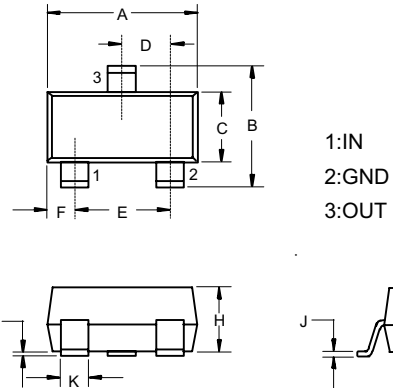
### Electrical Characteristics @ 25

Symbol	Parameter	Min	Typ	Max	Unit
$V_{I(off)}$	Input voltage ( $V_{CC}=5V, I_O=100\mu A$ ) ( $V_O=0.3V, I_O=5mA$ )	---	---	0.5	V
$V_{I(on)}$		1.1	---	---	V
$V_{O(on)}$	Output voltage ( $I_O=5mA, I_I=0.25mA$ )	---	0.1	0.3	V
$I_I$	Input current ( $V_I=5V$ )	---	---	3.6	mA
$I_{O(off)}$	Output current ( $V_{CC}=50V, V_I=0$ )	---	---	0.5	$\mu A$
$G_I$	DC current gain ( $V_O=5V, I_O=10mA$ )	80	---	---	
$R_1$	Input resistance	1.54	2.2	2.86	$K\Omega$
$R_2/R_1$	Resistance ratio	17	21	26	
$f_T$	Transition frequency ( $V_{CE}=10V, I_E=5mA, f=100MHz$ )	---	250	---	MHz

### Equivalent circuit

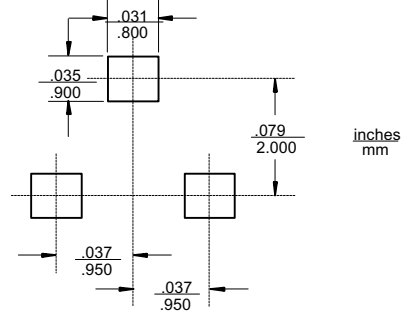


### SOT-23



DIM	DIMENSIONS				NOTE
	INCHES		MM		
A	.110	.120	2.80	3.04	
B	.083	.098	2.10	2.64	
C	.047	.055	1.20	1.40	
D	.035	.041	.89	1.03	
E	.070	.081	1.78	2.05	
F	.018	.024	.45	.60	
G	.0005	.0039	.013	.100	
H	.035	.044	.89	1.12	
J	.003	.007	.085	.180	
K	.015	.020	.37	.51	

### Suggested Solder Pad Layout



# DTA123JCA



Micro Commercial Components

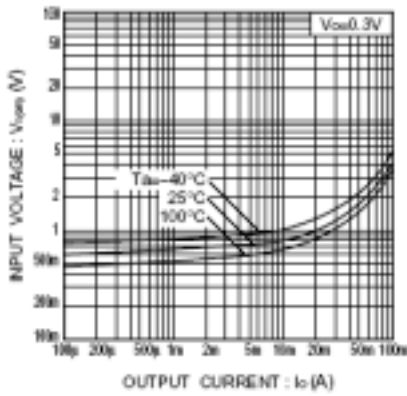


Fig.1 Input voltage vs. output current (ON characteristics)

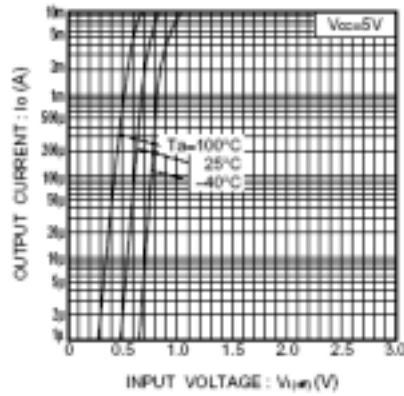


Fig.2 Output current vs. input voltage (OFF characteristics)

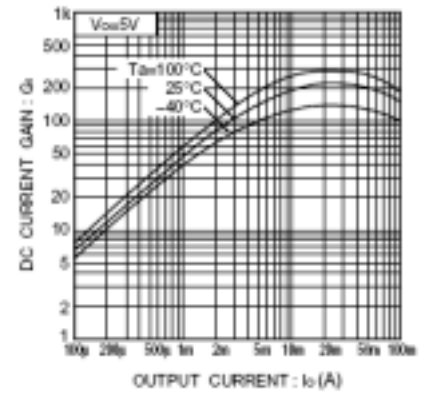


Fig.3 DC current gain vs. output current

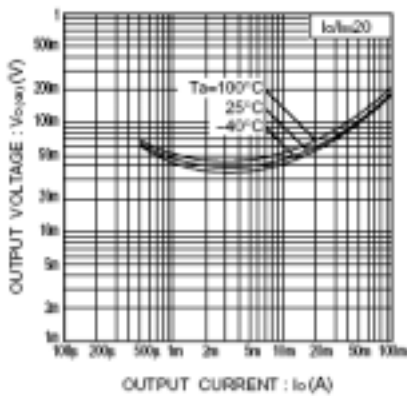


Fig.4 Output voltage vs. output current



TM

Micro Commercial Components

**\*\*\*IMPORTANT NOTICE\*\*\***

*Micro Commercial Components Corp.* reserves the right to make changes without further notice to any product herein to make corrections, modifications, enhancements, improvements, or other changes. *Micro Commercial Components Corp.* does not assume any liability arising out of the application or use of any product described herein; neither does it convey any license under its patent rights, nor the rights of others. The user of products in such applications shall assume all risks of such use and will agree to hold *Micro Commercial Components Corp.* and all the companies whose products are represented on our website, harmless against all damages.

**\*\*\*APPLICATIONS DISCLAIMER\*\*\***

Products offer by *Micro Commercial Components Corp.* are not intended for use in Medical, Aerospace or Military Applications.