



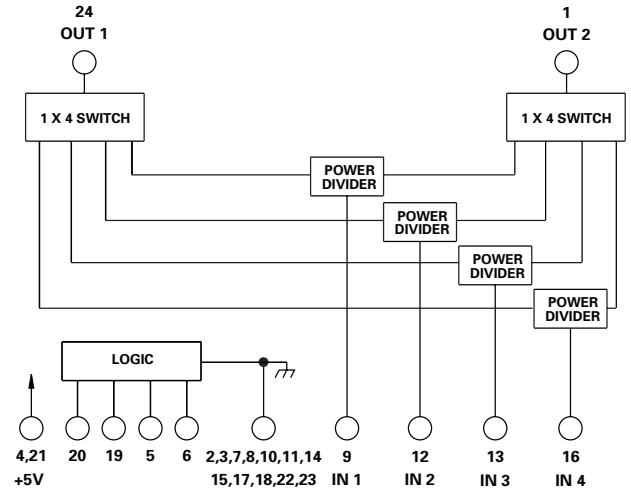
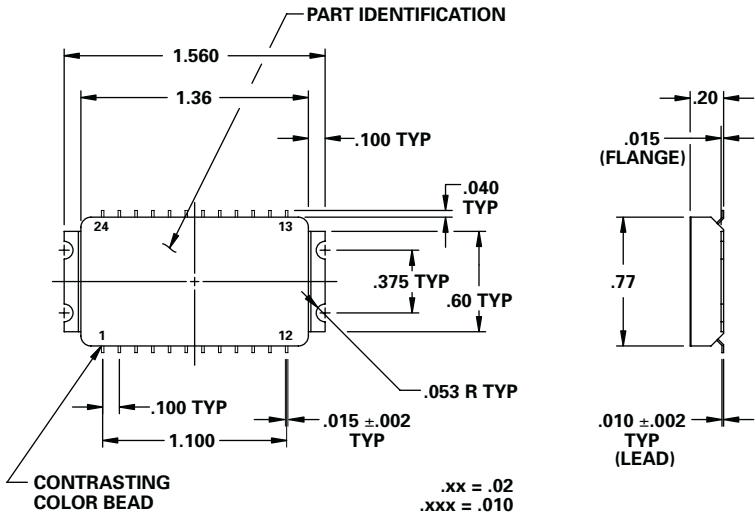
MODEL NO. DSWX5034

(4x2) GaAs Switch Matrix

FEATURES

- 40 - 70 MHz
- High Isolation
- 2 mA, +5 VDC
- Small Surface Mount Package

MFD



LOGIC TABLE

Logic Pin No.		Connection To Pin 24	Logic Pin No.		Connection To Pin 1
20	19		5	6	
0	0	Pin 9	0	0	Pin 9
0	1	Pin 12	0	1	Pin 12
1	0	Pin 13	1	0	Pin 13
1	0	Pin 16	1	0	Pin 16

GUARANTEED PERFORMANCE

Parameter	Min	Typ	Max	Units	Conditions
Operating Frequency	40		70	MHz	
DC Current			2	mA	At +5 VDC Supply
Control Type		TTL			4 Line See Logic Table
Control Current		High Low	1 1	±10 ±10 μA	V _{IH} = +3.0V V _{IL} = +0.5V
Insertion Loss			9.5	dB	
Isolation	65			dB	
VSWR			1.5/1 1.5/1		
Impedance		50		OHMS	
Switching Speed			100	nSec	50% TTL to 10% / 90% RF
Transition (Rise/Fall) Time				nSec	90% / 10% or 10% / 90% RF
Switching (Video) Transients				mV	
Intercept Points				2nd 3rd dBm	
RF Power		Operate No Damage	+10 +20	dBm	0.1 dB Compression
Operating Temperature	-32	+25	+85	°C	TA