

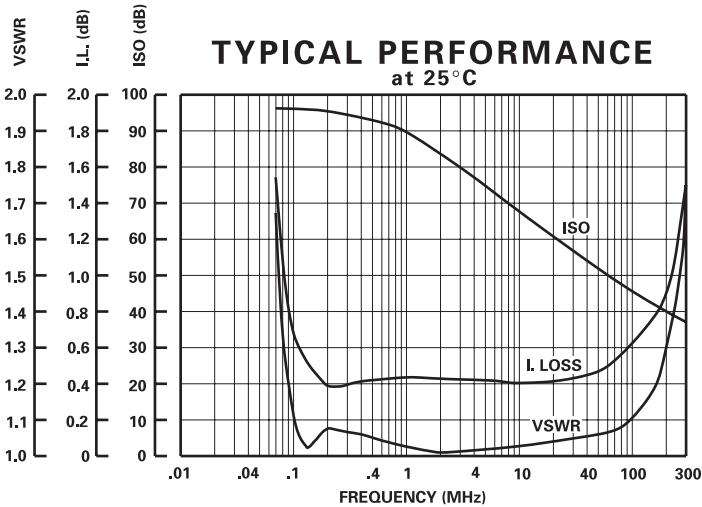
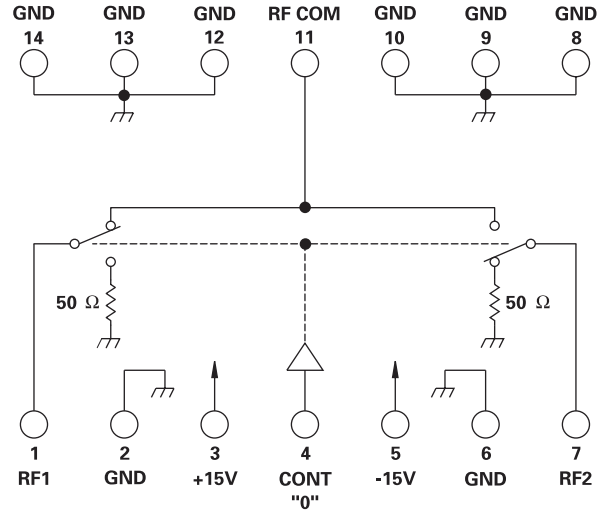
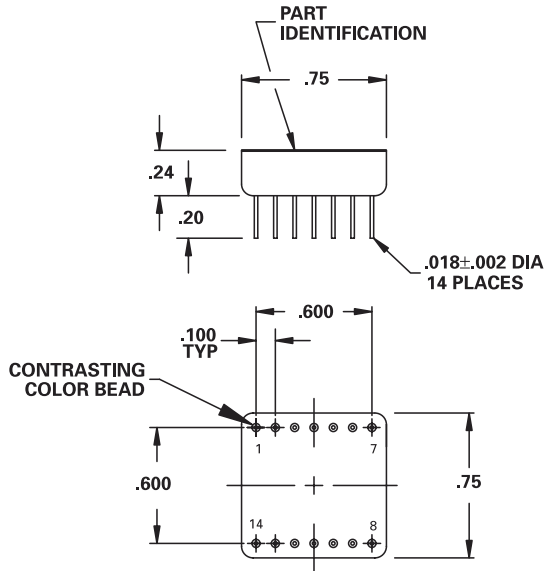
MODEL NUMBER
DSW21998

GaAs SP2T

FEATURES

- 0.5 - 100 MHz
- High Intercept Points
- 0.6 dB Insertion Loss
- 5 mA, ±15 VDC
- Non Reflective
- TTL Control
- 14 Pin DIP

SP2T



GUARANTEED PERFORMANCE

| Parameter | Min | Typ | Max | Units | Conditions |
|------------------------------|-----|-------|--------|-------|--|
| Operating Frequency | 0.5 | | 100 | MHz | |
| DC Current | | 5 | 10 | mA | At +15 VDC Supply |
| | | 4 | 5 | mA | At -15 VDC Supply |
| Control Type | | TTL | | | 1 Line Logic "0" = RF COM to RF1 Logic "1" = RF COM to RF2 |
| Isolation | 64 | 68 | | dB | 10 MHz |
| | 53 | 57 | | dB | 30 MHz |
| | 42 | 46 | | dB | 100 MHz |
| Insertion Loss | | 0.6 | .9 | dB | |
| VSWR | | 1.1/1 | 1.25/1 | | |
| | | 1.1/1 | 1.25/1 | | Thru Termination |
| Impedance | | 50 | | OHMS | |
| Switching Speed | | 5 | 10 | µSEC | 50% TTL to 90% / 10% RF |
| Transition (Rise/Fall) Time | | 3.5 | 5 | µSEC | 10% / 90% or 90% / 10% RF |
| Switching (Video) Transients | | 10 | 20 | mV | Peak Value |
| Intercept Points | | +85 | +96 | dBm | |
| | | +50 | +58 | dBm | |
| RF Power | | +26 | +19 | dBm | 0.1 dB Compression |
| | | +31 | +24 | dBm | 1 dB Compression |
| Operating Temperature | -55 | +25 | +125 | °C | TA |