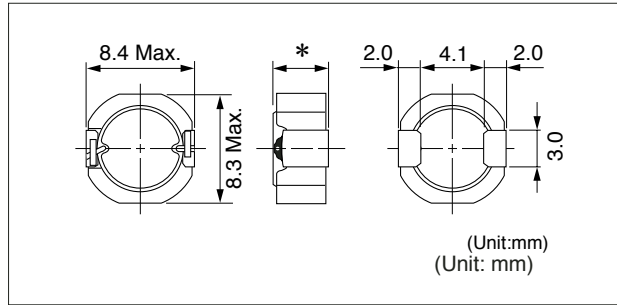


# DS84LC / DS85LC / DS86C

Inductance Range: 1.0~10 $\mu$ H(DS84LC), 1.1~82 $\mu$ H(DS85LC), 1.3~220 $\mu$ H(DS86C)

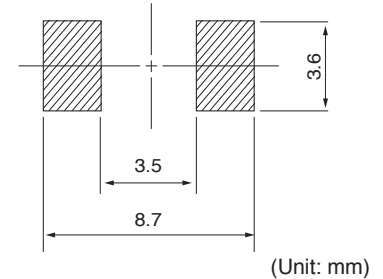
## DIMENSIONS / 外形寸法図



Note (\*) DS84LC; 4.0mm Max. height  
DS85LC; 5.0mm Max. height  
DS86C; 6.8mm Max. height

## Recommended patterns

推奨パターン図



## FEATURES / 特長

- 8.4×8.3mm Max. square, 4.0, 5.0, and 6.8mm Max. height).
- Magnetically shielded construction and low DC resistance.
- Suitable for large currents.
- RoHS compliant.
- 8.4×8.3mm角Max. 高さ4.0, 5.0 および6.8mm Max.)
- 閉磁路構造、低直流抵抗
- 大電流対応
- RoHS指令対応

## MEASUREMENT CONDITION / 測定条件

- (1) Inductance is measured with a LCR meter 4284A\* or equivalent. Test frequency at 100kHz
  - (2) DC Resistance is measured with a Digital Multimeter TR6871 (Advantest) or equivalent.
  - (3) Maximum allowable DC current is that which causes a 10% inductance reduction from the initial value, coil temperature to rise by 40°C, whichever is smaller.  
(Reference ambient temperature 20°C)
- \* Agilent Technologies

- (1) インダクタンスはLCRメータ4284A\*または同等品により測定する。測定周波数は100kHzです。
  - (2) 直流抵抗はデジタルマルチメータTR6871(Advantest)または同等品により測定する。
  - (3) 最大許容電流は、直流重畳電流を流した時インダクタンスの値が初期値より10%減少する直流電流値、または直流電流により、コイルの温度が40°C上昇の何れか小さい値です。  
(周囲温度20°Cを基準とする。)
- \*Agilent Technologies

## SELECTION GUIDE FOR STANDARD COILS

### TYPE DS84LC (Quantity/reel; 500 PCS)

東光品番	インダクタンス <sup>(1)</sup>	許容差	直流抵抗 <sup>(2)</sup>	直流重畳許容電流 <sup>(3)</sup>	温度上昇許容電流 <sup>(3)</sup>
TOKO Part Number	Inductance <sup>(1)</sup> ( $\mu$ H)	Tolerance (%)	DC Resistance <sup>(2)</sup> (m $\Omega$ ) Max.	Inductance Decrease Current <sup>(3)</sup> (A) Max. $\frac{\Delta L}{L}=10\%$	Temperature Rise Current <sup>(3)</sup> $\Delta T=40^\circ\text{C}$ (A) Max.
B1015AS-1R0N	1.0	±30	11	8.0	6.9
B1015AS-1R5N	1.5	±30	14	6.6	6.2
B1015AS-2R2N	2.2	±30	18	5.5	5.1
B1015AS-3R0N	3.0	±30	24	4.8	4.3
B1015AS-3R9N	3.9	±30	33	4.2	3.6
B1015AS-4R7N	4.7	±30	38	3.8	3.3
B1015AS-5R6N	5.6	±30	41	3.5	3.1
B1015AS-6R8N	6.8	±30	51	3.2	2.7
B1015AS-8R2N	8.2	±30	62	2.9	2.5
B1015AS-100M	10.0	±20	71	2.7	2.2

# DS85LC / DS86C

DS85LC : 8.4×8.3mm Max. square, 5.0mm height, Inductance range: 1.1~82μH

DS86C : 8.4×8.3mm Max. square, 6.8mm height, Inductance range: 1.3~220μH

## SELECTION GUIDE FOR STANDARD COILS

### TYPE DS85LC (Quantity/reel; 500 PCS)

東光品番	インダクタンス <sup>(1)</sup>	許容差	直流抵抗 <sup>(2)</sup>	直流重量許容電流 <sup>(3)</sup>	温度上昇許容電流 <sup>(3)</sup>
TOKO Part Number	Inductance <sup>(1)</sup> (μH)	Tolerance (%)	DC Resistance <sup>(2)</sup> (mΩ) Max.	Inductance Decrease Current <sup>(3)</sup> (A) Max. $\frac{\Delta L}{L}=10\%$	Temperature Rise Current <sup>(3)</sup> ΔT=40°C (A) Max.
B1000AS-1R1N	1.1	±30	12	8.0	6.5
B1000AS-1R6N	1.6	±30	15	6.6	5.9
B1000AS-2R2N	2.2	±30	16	5.5	5.6
B1000AS-3R0N	3.0	±30	18	4.8	5.1
B1000AS-3R9N	3.9	±30	21	4.3	4.8
B1000AS-4R7N	4.7	±30	22	3.8	4.6
B1000AS-5R6N	5.6	±30	29	3.5	3.9
B1000AS-6R8N	6.8	±30	38	3.1	3.4
B1000AS-8R2N	8.2	±30	41	2.7	3.2
B1000AS-100M	10.0	±20	51	2.5	2.9
B1000AS-120M	12.0	±20	60	2.3	2.6
B1000AS-150M	15.0	±20	77	2.1	2.2
B1000AS-180M	18.0	±20	100	1.9	1.9
B1000AS-220M	22.0	±20	115	1.7	1.8
B1000AS-270M	27.0	±20	130	1.6	1.7
B1000AS-330M	33.0	±20	145	1.4	1.6
B1000AS-390M	39.0	±20	160	1.3	1.5
B1000AS-470M	47.0	±20	170	1.2	1.4
B1000AS-560M	56.0	±20	195	1.1	1.4
B1000AS-680M	68.0	±20	235	0.96	1.2
B1000AS-820M	82.0	±20	325	0.87	1.0

### TYPE DS86C (Quantity/reel; 500 PCS)

東光品番	インダクタンス <sup>(1)</sup>	許容差	直流抵抗 <sup>(2)</sup>	直流重量許容電流 <sup>(3)</sup>	温度上昇許容電流 <sup>(3)</sup>
TOKO Part Number	Inductance <sup>(1)</sup> (μH)	Tolerance (%)	DC Resistance <sup>(2)</sup> (mΩ) Max.	Inductance Decrease Current <sup>(3)</sup> (A) Max. $\frac{\Delta L}{L}=10\%$	Temperature Rise Current <sup>(3)</sup> ΔT=40°C (A) Max.
B992AS-1R3N	1.3	±30	14	8.3	6.1
B992AS-2R0N	2.0	±30	15	6.8	6.0
B992AS-2R7N	2.7	±30	17	5.9	5.5
B992AS-3R3N	3.3	±30	21	5.2	4.8
B992AS-4R3N	4.3	±30	22	4.6	4.8
B992AS-5R6N	5.6	±30	26	4.1	4.3
B992AS-6R8N	6.8	±30	28	3.8	4.1
B992AS-8R2N	8.2	±30	30	3.4	3.9
B992AS-100M	10.0	±20	36	2.9	3.6
B992AS-150M	15.0	±20	41	2.6	3.3
B992AS-220M	22.0	±20	74	2.0	2.5
B992AS-330M	33.0	±20	120	1.6	1.9
B992AS-470M	47.0	±20	150	1.4	1.7
B992AS-680M	68.0	±20	210	1.1	1.4
B992AS-101M	100.0	±20	310	0.98	1.1
B992AS-151M	150.0	±20	400	0.75	0.94
B992AS-221M	220.0	±20	560	0.65	0.80