

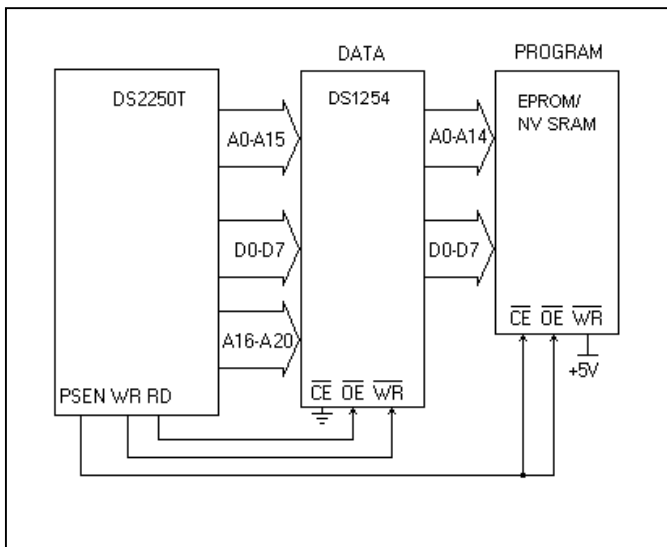
**FEATURES**

- Real-time clock (RTC) keeps track of hundredths of seconds, seconds, minutes, hours, days, date, months, and years with automatic leap-year compensation valid up to the year 2100
- 2M x 8 NV SRAM
- Watch function is transparent to RAM operation
- Automatic data protection during power loss
- Unlimited write-cycle endurance
- Surface-mountable BGA module construction
- Over 10 years of data retention in the absence of power
- Battery monitor checks remaining capacity daily
- +3.3V or +5V operation

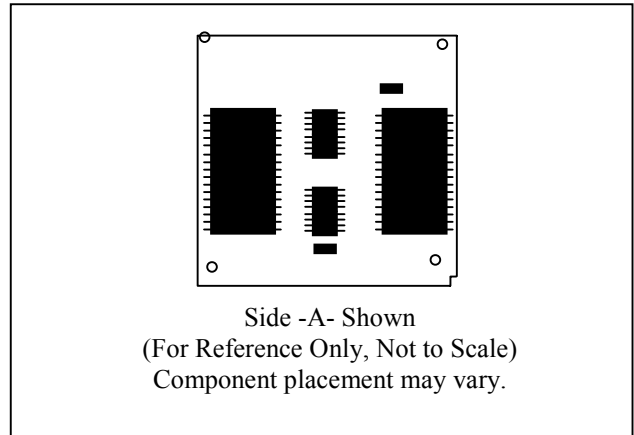
**APPLICATIONS**

Telecom Switches  
Routers  
RAID Systems

**TYPICAL OPERATING CIRCUIT**



**PACKAGE OUTLINE**



**ORDERING INFORMATION**

PART	PIN-PACKAGE	TEMP RANGE	TOP MARK
DS1254WB-150	BGA, 3.3V	0°C to +70°C	DS1254W-150
DS1254YB-100	BGA, 5V	0°C to +70°C	DS1254Y-100
DS1254WB2-150	BGA, 3.3V	0°C to +70°C	DS1254W2-150
DS1254YB2-100	BGA, 5V	0°C to +70°C	DS1254Y2-100

**PIN DESCRIPTION**

- V<sub>CC</sub> - Supply Voltage
- A0–A20 - Address Inputs
- DQ0–DQ7 - Data I/O
- CE - Chip-Enable Input
- OE - Output-Enable Input
- WE - Write-Enable Input
- BW - Battery Warning Output (Open Drain)
- GND - Ground

**Note:** Some revisions of this device may incorporate deviations from published specifications known as errata. Multiple revisions of any device may be simultaneously available through various sales channels. For information about device errata, click here: [www.maxim-ic.com/errata](http://www.maxim-ic.com/errata).

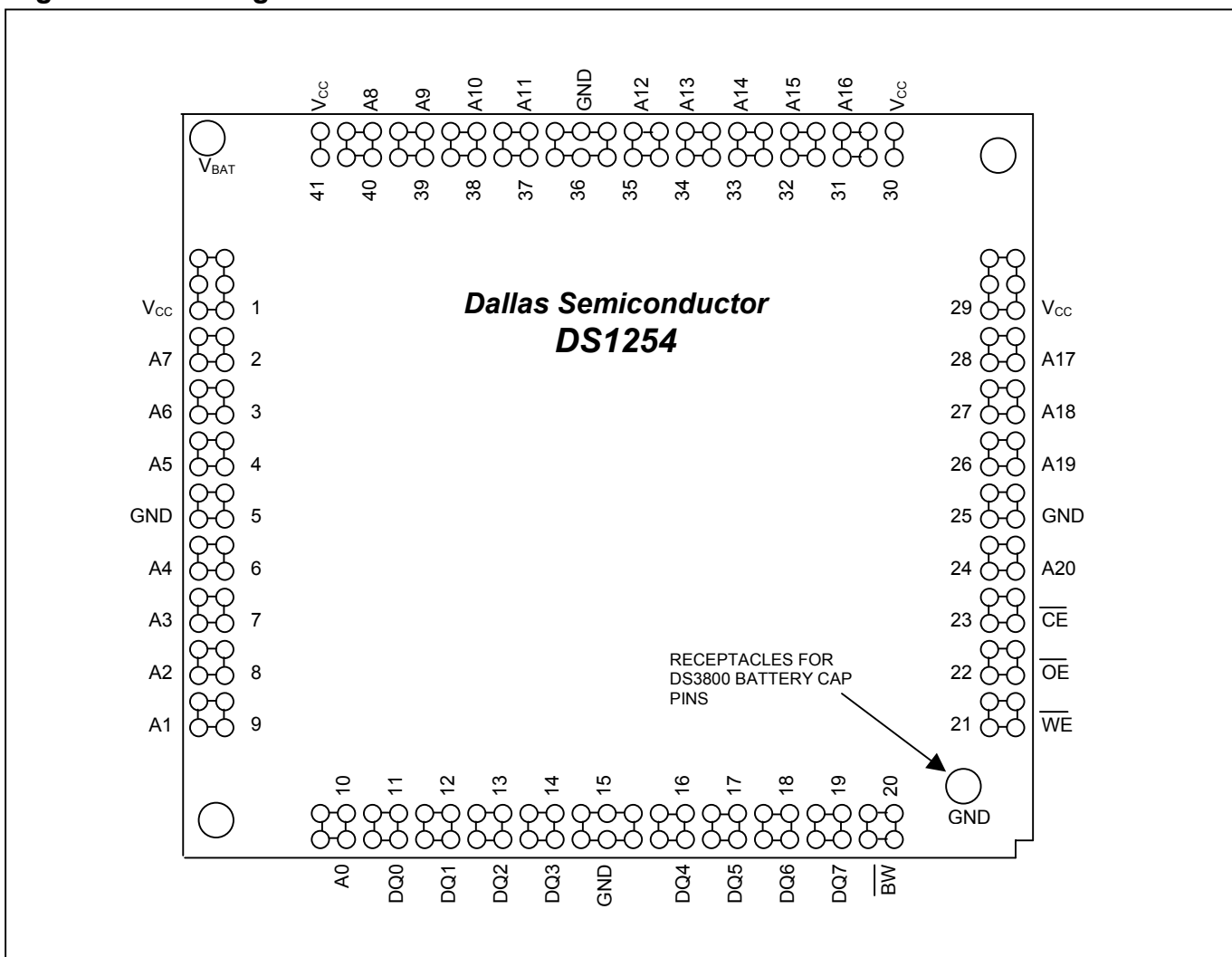
## DESCRIPTION

The DS1254 is a fully nonvolatile static RAM (NV SRAM) (organized as 2M words by 8 bits) with built-in real-time clock. It has a self-contained lithium energy source and control circuitry that constantly monitors  $V_{CC}$  for an out-of-tolerance condition. When such a condition occurs, the DS1254 makes use of an attached DS3800 battery cap to maintain clock information and preserve stored data while protecting that data by disallowing all memory accesses. Additionally, the DS1254 has dedicated circuitry for monitoring the status of an attached DS3800 battery cap.

The phantom clock provides timekeeping information including hundredths of seconds, seconds, minutes, hours, day, date, month, and year information. The date at the end of the month is automatically adjusted for months with fewer than 31 days, including correction for leap years. The phantom clock operates in either 24-hour or 12-hour format with an AM/PM indicator.

Because the DS1254 has a total of 168 balls and only 35 active signals, balls are wired together into groups, thus providing redundant connections for every signal.

**Figure 1. Pin Assignment**



## RAM READ MODE

The DS1254 executes a read cycle whenever  $\overline{WE}$  is inactive (high) and  $\overline{CE}$  is active (low). The unique address specified by the 21 address inputs (A0–A20) defines which of the 2MB of data is to be accessed. Valid data will be available to the eight data-output drivers within  $t_{ACC}$  (access time) after the last address input is stable, providing that  $\overline{CE}$  and  $\overline{OE}$  access times and states are also satisfied. If  $\overline{OE}$  and  $\overline{CE}$  access times are not satisfied, then data access must be measured from the later occurring signal ( $\overline{CE}$  or  $\overline{OE}$ ) and the limiting parameter is either  $t_{CO}$  for  $\overline{CE}$  or  $t_{OE}$  for  $\overline{OE}$  rather than address access.

## RAM WRITE MODE

The DS1254 is in the write mode whenever  $\overline{WE}$  and  $\overline{CE}$  are in their active (low) state after address inputs are stable. The later occurring falling edge of  $\overline{CE}$  or  $\overline{WE}$  will determine the start of the write cycle. The write cycle is terminated by the earlier rising edge of  $\overline{CE}$  or  $\overline{WE}$ . All address inputs must be kept valid throughout the write cycle.  $\overline{WE}$  must return to the high state for a minimum recovery time ( $t_{WR}$ ) before another cycle can be initiated. The  $\overline{OE}$  control signal should be kept inactive (high) during write cycles to avoid bus contention. However, if the output bus has been enabled ( $\overline{CE}$  and  $\overline{OE}$  active), then  $\overline{WE}$  will disable the outputs in  $t_{ODW}$  from its falling edge.

## DATA RETENTION MODE

The device is fully accessible and data can be written and read only when  $V_{CC}$  is greater than  $V_{PF}$ . However, when  $V_{CC}$  falls below the power-fail point,  $V_{PF}$  (point at which write protection occurs), the internal clock registers and SRAM are blocked from any access. When  $V_{CC}$  falls below  $V_{BAT}$ , device power is switched from the  $V_{CC}$  to  $V_{BAT}$ . RTC operation and SRAM data are maintained from the battery until  $V_{CC}$  is returned to nominal levels. All signals must be powered down when  $V_{CC}$  is powered down.

## PHANTOM CLOCK OPERATION

Communication with the phantom clock is established by pattern recognition on a serial bit stream of 64 bits that must be matched by executing 64 consecutive write cycles containing the proper data on DQ0. All accesses that occur prior to recognition of the 64-bit pattern are directed to memory.

After recognition is established, the next 64 read or write cycles either extract or update data in the phantom clock, and memory access is inhibited.

Data transfer to and from the timekeeping function is accomplished with a serial bit stream under control of chip enable ( $\overline{CE}$ ), output enable ( $\overline{OE}$ ), and write enable ( $\overline{WE}$ ). Initially, a read cycle to any memory location using the  $\overline{CE}$  and  $\overline{OE}$  control of the phantom clock starts the pattern-recognition sequence by moving a pointer to the first bit of the 64-bit comparison register. Next, 64 consecutive write cycles are executed using the  $\overline{CE}$  and  $\overline{WE}$  signals of the device. These 64 write cycles are used only to gain access to the phantom clock. Therefore, any address within the first 512kB of memory, (00h to 7FFFh) is acceptable. However, the write cycles generated to gain access to the phantom clock are also writing data to a location in the memory. The preferred way to manage this requirement is to set aside just one address location in memory as a phantom clock scratch pad. When the first write cycle is executed, it is compared to bit 0 of the 64-bit comparison register. If a match is found, the pointer increments to the next location of the comparison register and awaits the next write cycle. If a match is not found, the pointer does not

advance and all subsequent write cycles are ignored. If a read cycle occurs at any time during pattern recognition, the present sequence is aborted and the comparison register pointer is reset. Pattern recognition continues for a total of 64 write cycles as described above until all the bits in the comparison register have been matched (this bit pattern is shown in Figure 2). With a correct match for 64-bits, the phantom clock is enabled and data transfer to or from the timekeeping registers can proceed. The next 64 cycles will cause the phantom clock to either receive or transmit data on DQ0, depending on the level of the  $\overline{\text{OE}}$  pin or the  $\overline{\text{WE}}$  pin. Cycles to other locations outside the memory block can be interleaved with  $\overline{\text{CE}}$  cycles without interrupting the pattern-recognition sequence or data-transfer sequence to the phantom clock.

## PHANTOM CLOCK REGISTER INFORMATION

The phantom clock information is contained in eight registers of 8 bits, each of which is sequentially accessed one bit at a time after the 64-bit pattern-recognition sequence has been completed. When updating the phantom clock registers, each register must be handled in groups of 8 bits. Writing and reading individual bits within a register could produce erroneous results. These read/write registers are defined in Figure 3.

**Figure 2. Phantom Clock Protocol Definition**

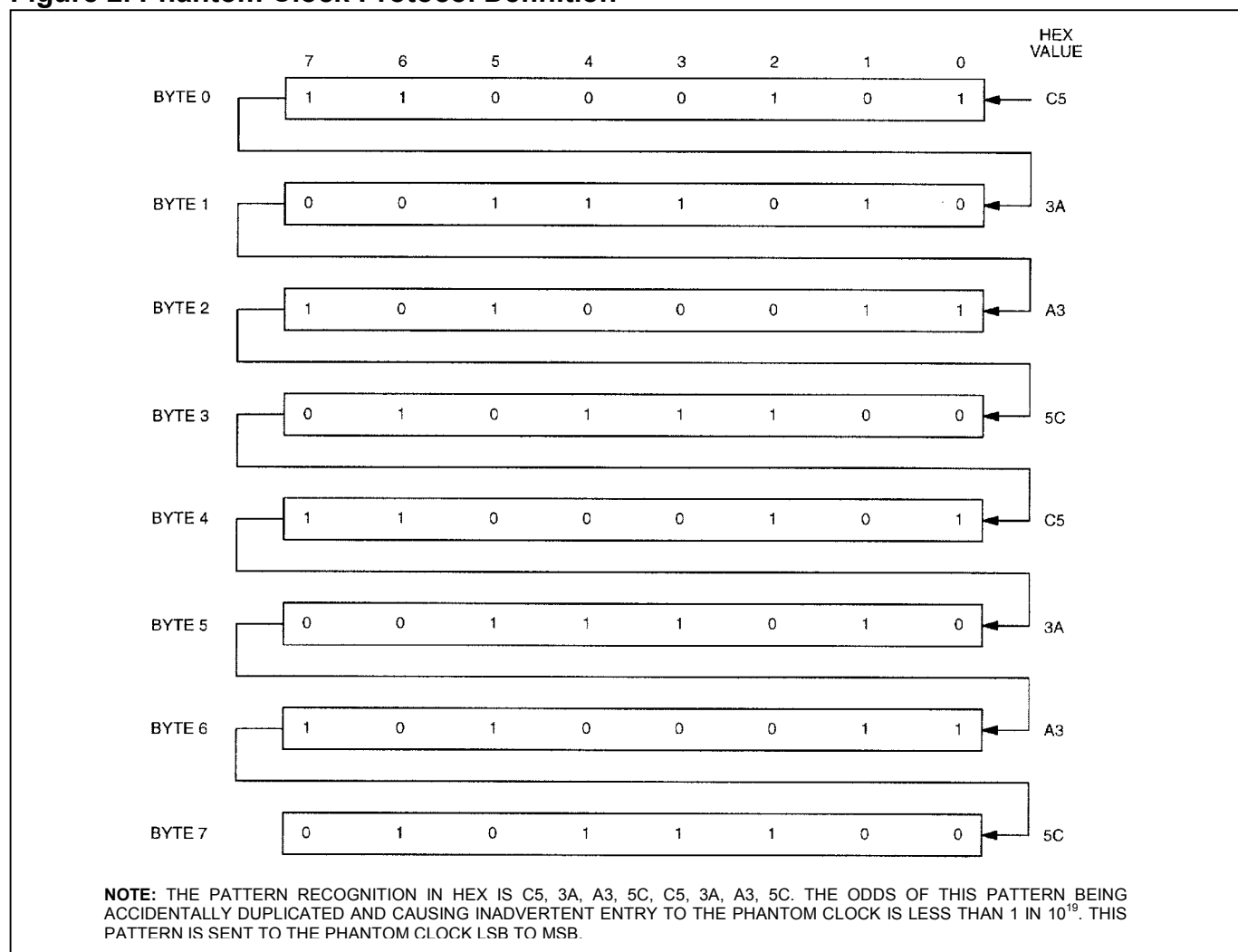
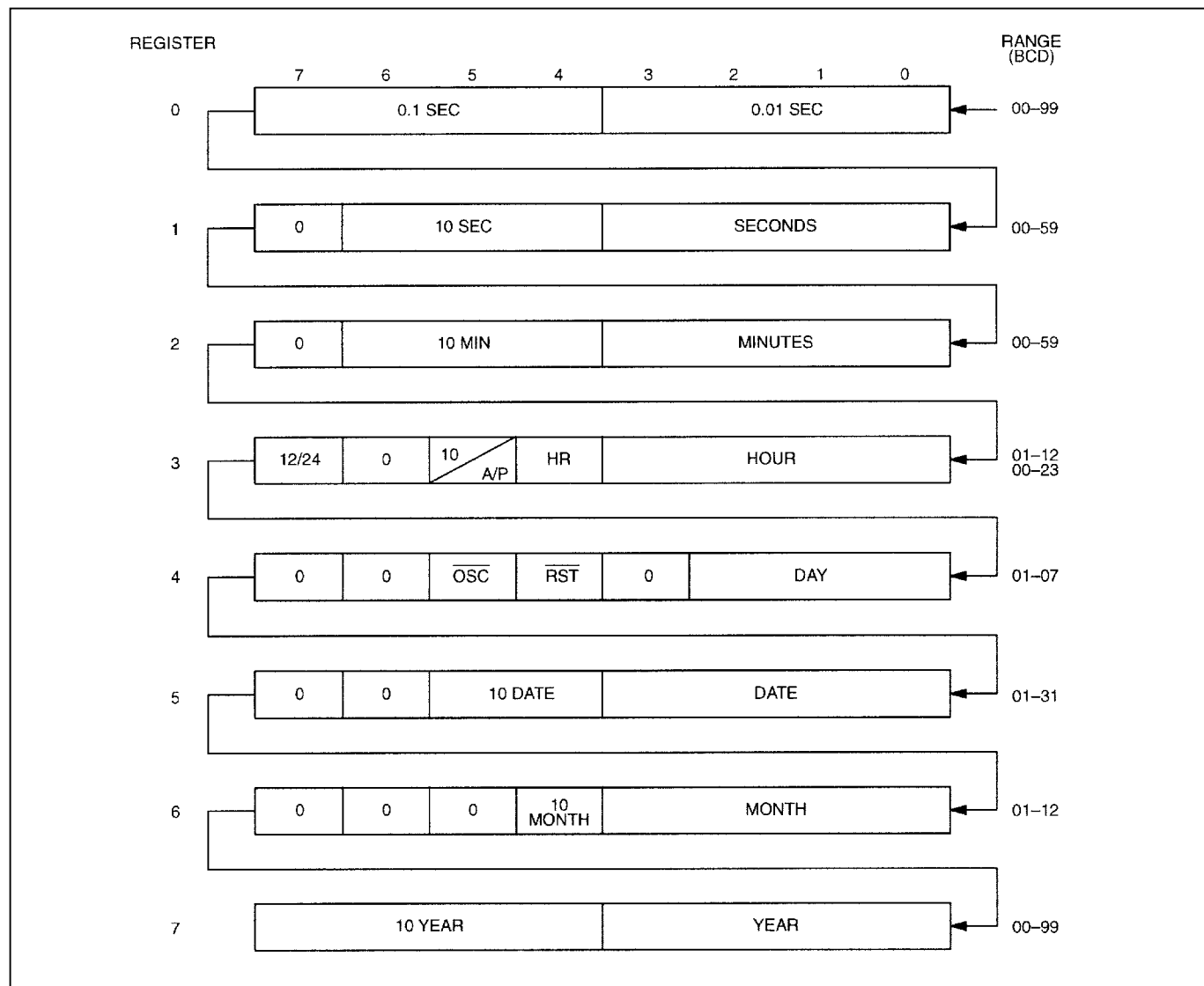


Figure 3. Phantom Clock Register Definition



## AM/PM/12/24 MODE

Bit 7 of the hours register is defined as the 12-hour or 24-hour mode select bit. When high, the 12-hour mode is selected. In the 12-hour mode, bit 5 is the AM/PM bit with logic high being PM. In the 24-hour mode, bit 5 is the second 10-hour bit (20–23 hours).

## OSCILLATOR BIT

Bit 5 of the day register controls the oscillator. When set to logic 1, the oscillator is off. When set to logic 0, the oscillator turns on and the watch becomes operational.

## ZERO BITS

Registers 1, 2, 3, 4, 5, and 6 contain one or more bits that will always read logic 0. When writing these locations, either a logic 1 or logic 0 is acceptable.

## BATTERY MONITORING

The DS1254 automatically monitors the battery in an attached DS3800 battery cap on a 24-hour time interval. Such monitoring begins within  $t_{REC}$  after  $V_{CC}$  rises above  $V_{PF}$  and is suspended when power failure occurs.

After each 24-hour period has elapsed, the battery is connected to an internal  $1M\Omega$  test resistor for one second. During this one second, if the battery voltage falls below the battery-voltage trip point ( $\sim 2.6V$ ), the battery warning output  $\overline{BW}$  is asserted. Once asserted,  $\overline{BW}$  remains active until the attached DS3800 battery cap is replaced. However, the battery is still retested after each  $V_{CC}$  power-up, even if it was active on power-down. If the battery voltage is found to be higher than  $\sim 2.6V$  during such testing,  $\overline{BW}$  is de-asserted and regular testing resumes.  $\overline{BW}$  has an open-drain output driver.

## ABSOLUTE MAXIMUM RATINGS

Voltage Range on Any Pin Relative to Ground  
 Operating Temperature Range  
 Storage Temperature Range  
 Soldering Temperature

-0.3V to +6.0V  
 0°C to +70°C  
 -40°C to +70°C  
 See IPC/JEDEC J-STD-020A

*Stresses beyond those listed under "Absolute Maximum Ratings" may cause permanent damage to the device. These are stress ratings only, and functional operation of the device at these or any other conditions beyond those indicated in the operational sections of the specifications is not implied. Exposure to the absolute maximum rating conditions for extended periods may affect device.*

## RECOMMENDED DC OPERATING CONDITIONS

( $T_A = 0^\circ\text{C}$  to  $+70^\circ\text{C}$ )

PARAMETER	SYMBOL	CONDITIONS	MIN	TYP	MAX	UNITS	NOTES
Power-Supply Voltage (5V Operation)	$V_{CC}$		4.5	5.0	5.5	V	1
Power-Supply Voltage (3.3V Operation)	$V_{CC}$		3.0	3.3	3.7	V	1
Logic 1 Voltage (All Inputs)	$V_{IH}$	$V_{CC} = 5V \pm 10\%$	2.2		$V_{CC} + 0.3$	V	1
		$V_{CC} = 3.3V \pm 10\%$	2.0		$V_{CC} + 0.3$		
Logic 0 Voltage (All Inputs)	$V_{IL}$	$V_{CC} = 5V \pm 10\%$	-0.3		0.8	V	1
		$V_{CC} = 3.3V \pm 10\%$	-0.3		0.6		

## DC ELECTRICAL CHARACTERISTICS

( $V_{CC} = 5.0V \pm 10\%$ ,  $T_A = 0^\circ\text{C}$  to  $+70^\circ\text{C}$ .)

PARAMETER	SYMBOL	MIN	TYP	MAX	UNITS	NOTES
Input Leakage Current	$I_{IL}$	-4.0		+4.0	$\mu\text{A}$	
I/O Leakage Current	$I_{IO}$	-4.0		+4.0	$\mu\text{A}$	
Output Current at 2.4V	$I_{OH}$	-1.0			mA	3
Output Current at 0.4V	$I_{OL}$	2.0			mA	3
Standby Current ( $\overline{CE} = 2.2V$ )	$I_{CCS1}$		5.0	10	mA	
Standby Current ( $\overline{CE} = V_{CC} - 0.5V$ )	$I_{CCS2}$		3.0	5.0	mA	
Operating Current, $t_{CYC} = 100\text{ns}$	$I_{CCO1}$			85	mA	
Write Protection Voltage	$V_{PF}$	4.25		4.50	V	1

## DC ELECTRICAL CHARACTERISTICS

( $V_{CC} = 3.3V \pm 10\%$ ,  $T_A = 0^\circ\text{C}$  to  $+70^\circ\text{C}$ .)

PARAMETER	SYMBOL	MIN	TYP	MAX	UNITS	NOTES
Input Leakage Current	$I_{IL}$	-4.0		+4.0	$\mu\text{A}$	
I/O Leakage Current	$I_{IO}$	-4.0		+4.0	$\mu\text{A}$	
Output Current at 2.4V	$I_{OH}$	-1.0			mA	3
Output Current at 0.4V	$I_{OL}$	2.0			mA	3
Standby Current ( $\overline{CE} = 2.2V$ )	$I_{CCS1}$		5.0	7	mA	
Standby Current ( $\overline{CE} = V_{CC} - 0.5V$ )	$I_{CCS2}$		2.0	3.0	mA	
Operating Current, $t_{CYC} = 100\text{ns}$	$I_{CCO1}$			50	mA	
Write Protection Voltage	$V_{PF}$	2.8		2.97	V	1

**CAPACITANCE**(T<sub>A</sub> = +25°C)

PARAMETER	SYMBOL	MIN	TYP	MAX	UNITS	NOTES
Input Capacitance: A0 to A18, $\overline{OE}$ , $\overline{WE}$ , $\overline{CE}$	C <sub>IN</sub>		25	50	pF	
Input Capacitance: A19 to A20	C <sub>IN</sub>		5	10	pF	
I/O Capacitance: DQ0 to DQ7	C <sub>IO</sub>		25	50	pF	
Output Capacitance: $\overline{BW}$	C <sub>OUT</sub>		5	10	pF	

**AC ELECTRICAL CHARACTERISTICS**(V<sub>CC</sub> = 5.0V ±10%, T<sub>A</sub> = 0°C to +70°C.)

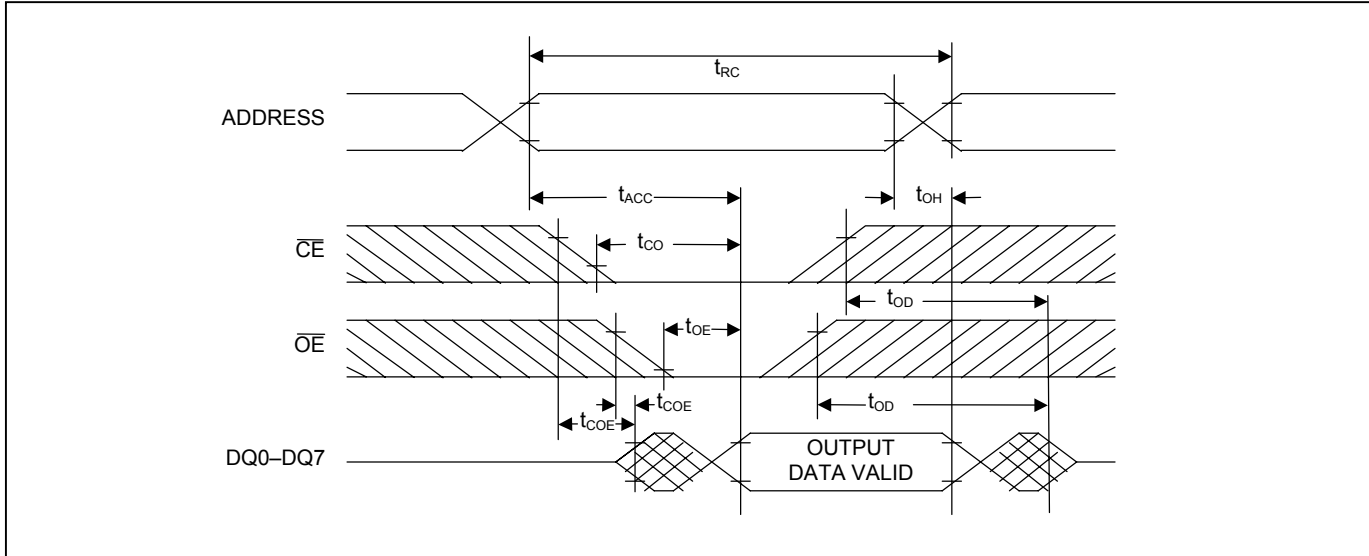
PARAMETER	SYMBOL	MIN	MAX	UNITS	NOTES
Read Cycle Time	t <sub>RC</sub>	100		ns	
Address Access Time	t <sub>AAC</sub>		100	ns	
$\overline{OE}$ to Output Valid	t <sub>OE</sub>		55	ns	
$\overline{CE}$ to Output Valid	t <sub>CO</sub>		100	ns	
$\overline{CE}$ or $\overline{OE}$ to Output Active	t <sub>COE</sub>	0		ns	2
Output High-Z from Deselection	t <sub>OD</sub>		35	ns	2
Output Hold from Address Change	t <sub>OH</sub>	5		ns	
Write Cycle Time	t <sub>WC</sub>	100		ns	
$\overline{WE}$ , $\overline{CE}$ Pulse Width	t <sub>WP</sub>	70		ns	5
Address Setup Time	t <sub>AW</sub>	0		ns	
Address Hold Time	t <sub>AH1</sub>	5		ns	6
	t <sub>AH2</sub>	25		ns	7
Output High-Z from $\overline{WE}$	t <sub>ODW</sub>		35	ns	2
Output Active from $\overline{WE}$	t <sub>OEW</sub>	5		ns	2
Data Setup Time	t <sub>DS</sub>	40		ns	8
Data Hold Time	t <sub>DH1</sub>	0		ns	6
	t <sub>DH2</sub>	20		ns	8
Read Recovery (Clock Access Only)	t <sub>RR</sub>	20		ns	
Write Recovery (Clock Access Only)	t <sub>WR</sub>	20		ns	



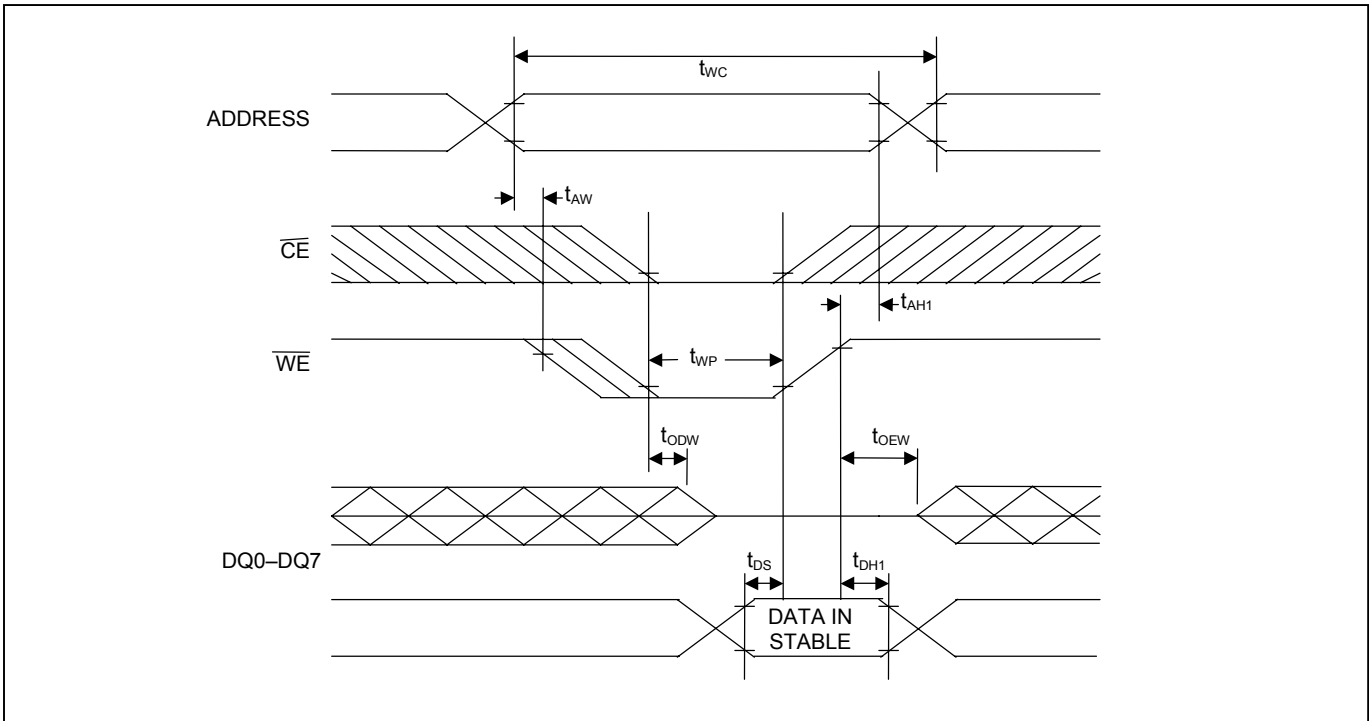
**AC ELECTRICAL CHARACTERISTICS** $(V_{CC} = 3.3V \pm 10\%, T_A = 0^\circ C \text{ to } +70^\circ C)$ 

PARAMETER	SYMBOL	MIN	MAX	UNITS	NOTES
Read Cycle Time	$t_{RC}$	150		ns	
Address Access Time	$t_{AAC}$		150	ns	
$\overline{OE}$ to Output Valid	$t_{OE}$		75	ns	
$\overline{CE}$ to Output Valid	$t_{CO}$		150	ns	
$\overline{CE}$ or $\overline{OE}$ to Output Active	$t_{COE}$	0		ns	2
Output High-Z from Deselection	$t_{OD}$		70	ns	2
Output Hold from Address Change	$t_{OH}$	5		ns	
Write Cycle Time	$t_{WC}$	150		ns	
$\overline{WE}$ , $\overline{CE}$ Pulse Width	$t_{WP}$	100		ns	5
Address Setup Time	$t_{AW}$	0		ns	
Address Hold Time	$t_{AH1}$	5		ns	6
	$t_{AH2}$	25		ns	7
Output High-Z from $\overline{WE}$	$t_{ODW}$		70	ns	2
Output Active from $\overline{WE}$	$t_{OEW}$	5		ns	2
Data Setup Time	$t_{DS}$	60		ns	8
Data Hold Time	$t_{DH1}$	0		ns	6
	$t_{DH2}$	20		ns	8
Read Recovery (Clock Access Only)	$t_{RR}$	20		ns	
Write Recovery (Clock Access Only)	$t_{WR}$	20		ns	

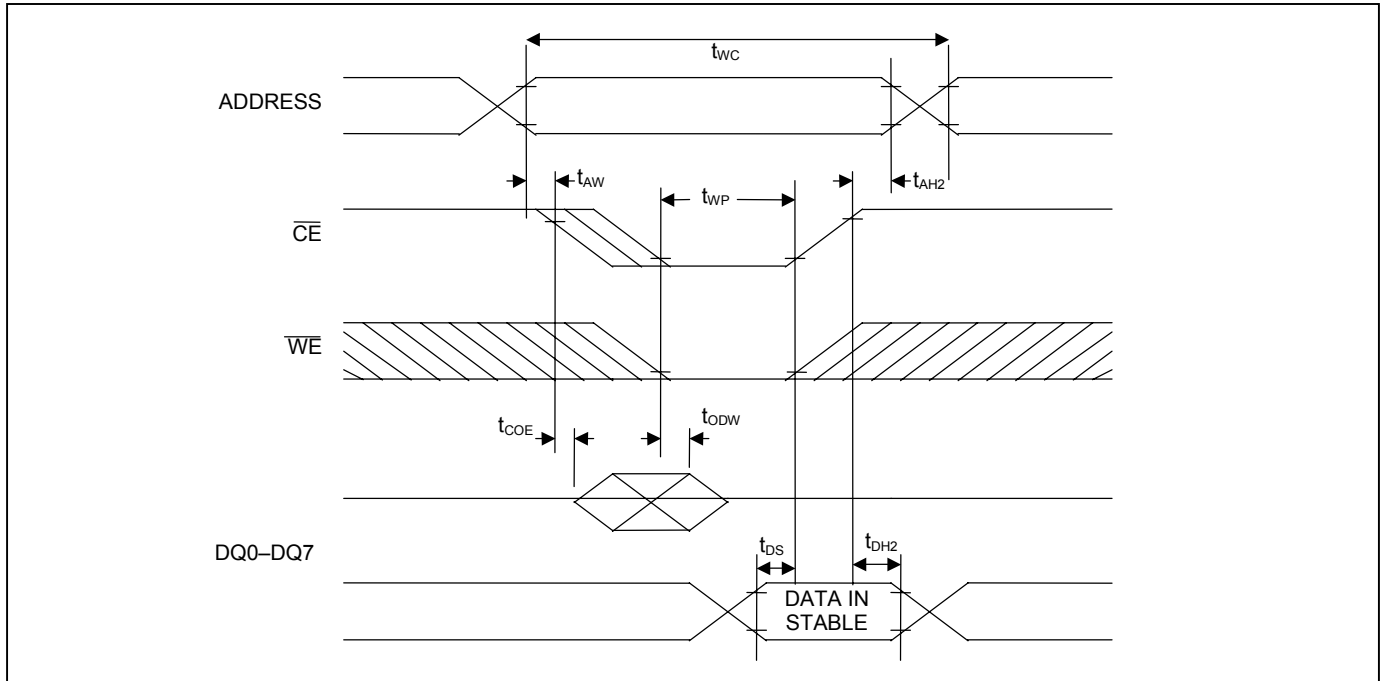
**Figure 4. Memory Read Cycle Timing (Note 9)**



**Figure 5. Memory Write Cycle Timing, Write-Enable Controlled (Notes 5, 6, 8, 10, 11, 12, and 13)**



**Figure 6. Memory Write Cycle Timing, Chip-Enable Controlled (Notes 5, 7, 8, 10, 11, 12, and 13)**



**Figure 7. Read Cycle to Phantom Clock**

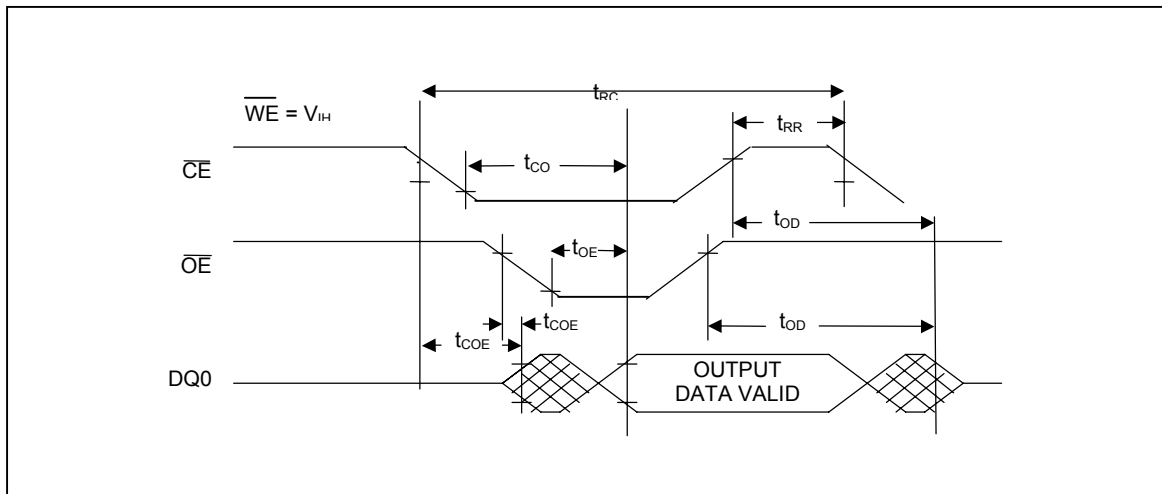


Figure 8. Write Cycle to Phantom Clock

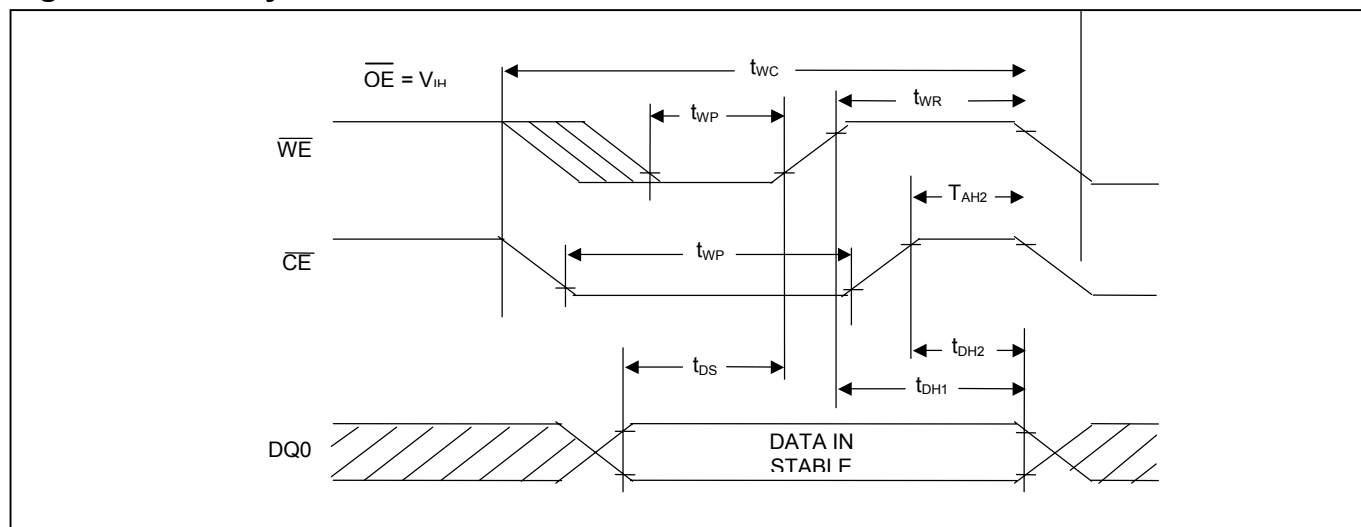
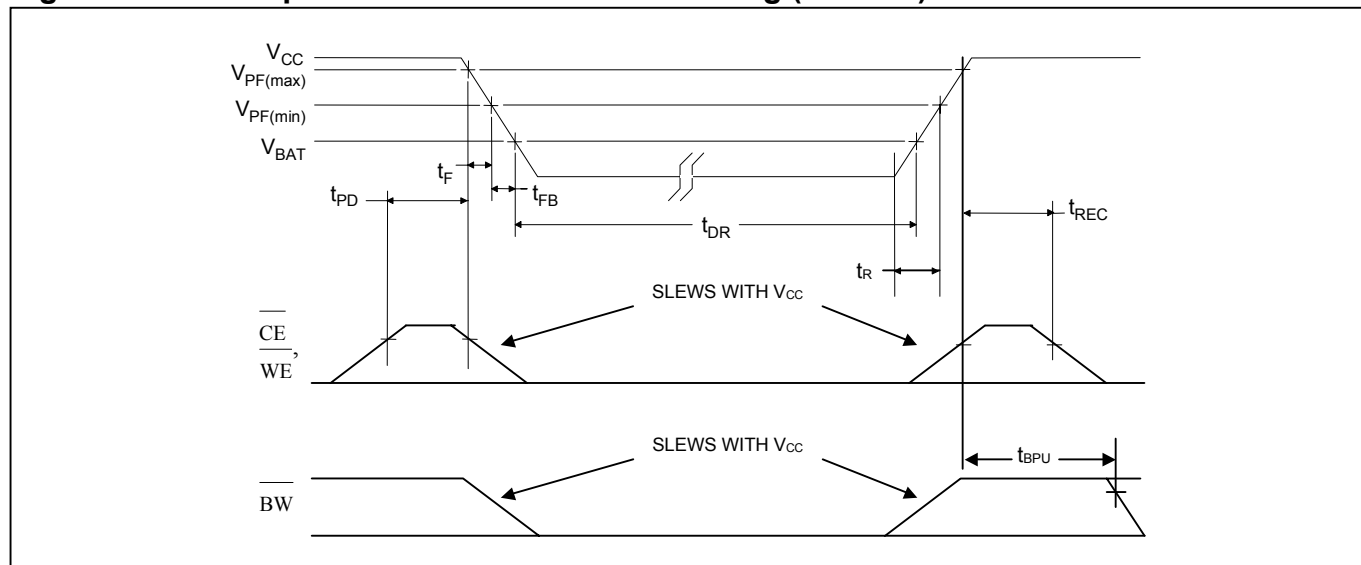


Figure 9. Power-Up/Power-Down Waveform Timing (Note 14)



## POWER-UP/POWER-DOWN CHARACTERISTICS

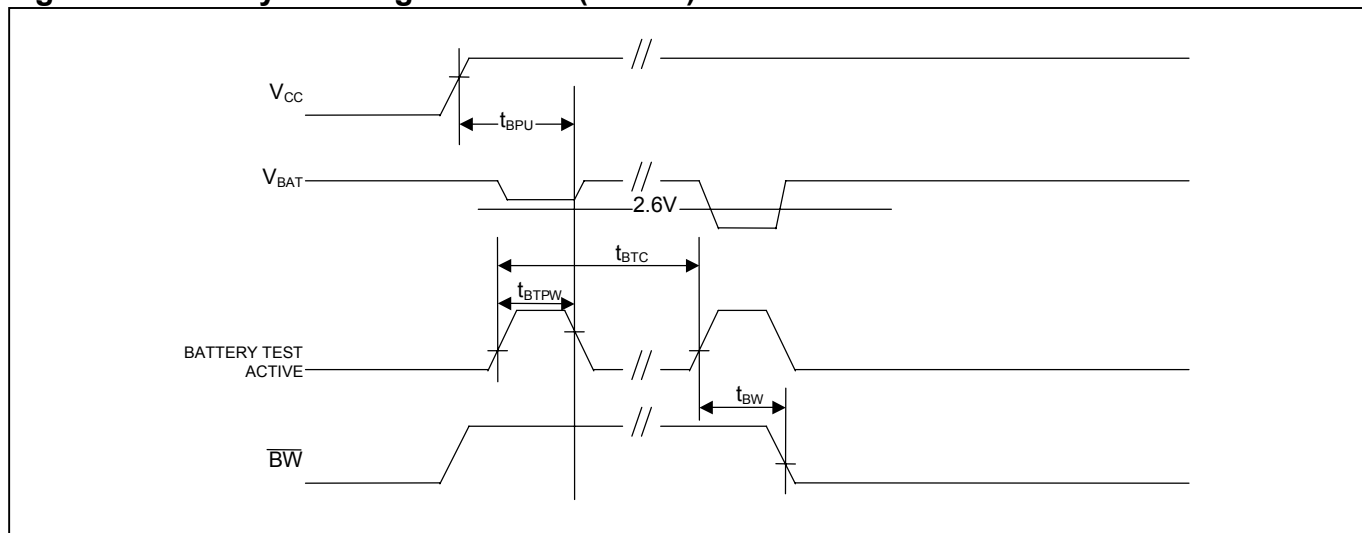
( $V_{CC} = 5V \pm 10\%$ )

PARAMETER	SYMBOL	MIN	TYP	MAX	UNITS	NOTES
$\overline{CE}$ and $\overline{WE}$ at $V_{IH}$ Before Power-Down	$t_{PD}$	0			$\mu s$	
$V_{CC}$ Fall Time: $V_{PF(MAX)}$ to $V_{PF(MIN)}$	$t_F$	300			$\mu s$	
$V_{CC}$ Fall Time: $V_{PF(MIN)}$ to $V_{BAT}$	$t_{FB}$	10			$\mu s$	
$V_{CC}$ Rise Time: 0V to $V_{PF(MIN)}$	$t_R$	150			$\mu s$	
$V_{CC}$ Valid to End of Write Protection	$t_{REC}$			125	ms	
$V_{CC}$ Valid to $\overline{BW}$ Valid	$t_{BPU}$			1	s	3

( $T_A = +25^\circ C$ )

PARAMETER	SYMBOL	MIN	TYP	MAX	UNITS	NOTES
Expected Data-Retention Time (Oscillator On)	$t_{DR}$	10			years	4

**WARNING:** UNDER NO CIRCUMSTANCES ARE NEGATIVE UNDERSHOOTS, OF ANY AMPLITUDE, ALLOWED WHEN DEVICE IS IN BATTERY-BACKUP MODE.

**Figure 10. Battery Warning Detection (Note 3)****BATTERY WARNING TIMING**

( $V_{CC} = 5.0V \pm 10\%$ ,  $T_A = 0^\circ C$  to  $+70^\circ C$ )

PARAMETER	SYMBOL	MIN	TYP	MAX	UNITS	NOTES
Battery Test Cycle	$t_{BTC}$		24		hour	
Battery Test Pulse Width	$t_{BTPW}$			1	seconds	
Battery Test to $\overline{BW}$ Active	$t_{BW}$			1	seconds	
$V_{CC}$ Valid to $\overline{BW}$ Valid	$t_{BPU}$			1	seconds	3

**AC TEST CONDITIONS**

Output Load: 100pF + 1 TTL Gate

Input Pulse Levels: 0V to 3.0V

Timing Measurement Reference Levels:

Input: 1.5V

Output: 1.5V

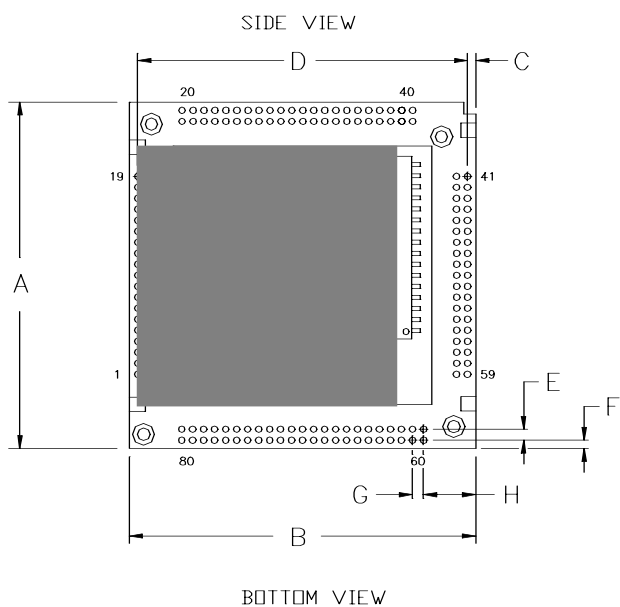
Input Pulse Rise and Fall Times: 5ns

**NOTES:**

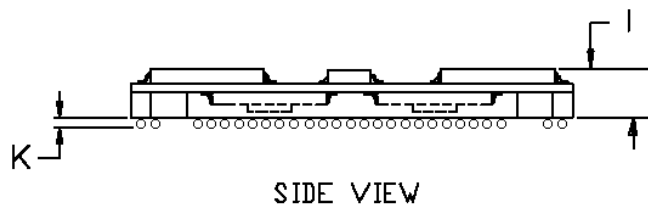
- 1) Voltage referenced to ground.
- 2) These parameters are sampled with a 50pF load and are not 100% tested.
- 3)  $\overline{BW}$  is an open-drain output and, as such, cannot source current. An external pullup resistor should be connected to this pin for proper operation.  $\overline{BW}$  can sink 10mA.
- 4) The DS3800 battery cap is a one-time use part, but can be removed and replaced. By design, DS3800 removal will mechanically damage the battery cap, which eliminates the accidental use of a previously attached and possibly low-capacity battery cap.
- 5)  $t_{WP}$  specified as the logical AND of  $\overline{CE}$  and  $\overline{WE}$ ,  $t_{WP}$  is measured from the latter of  $\overline{CE}$  or  $\overline{WE}$  going low to the earlier of  $\overline{CE}$  or  $\overline{WE}$  going high.
- 6)  $t_{AH1}$ ,  $t_{DH1}$  are measured from  $\overline{WE}$  going high.
- 7)  $t_{AH2}$ ,  $t_{DH2}$  are measured from  $\overline{CE}$  going high.
- 8)  $t_{DS}$  is measured from the earlier of  $\overline{CE}$  or  $\overline{WE}$  going high.
- 9)  $\overline{WE}$  is high for a read cycle.
- 10)  $\overline{OE} = V_{IH}$  or  $V_{IL}$ . If  $\overline{OE} = V_{IH}$  during write cycle, the output buffers remain in a high-impedance state.
- 11) If the  $\overline{CE}$  low transition occurs simultaneously with or later than the  $\overline{WE}$  low transition in a write-enable-controlled write cycle, the output buffers remain in a high-impedance state during this period.
- 12) If the  $\overline{CE}$  high transition occurs prior to or simultaneously with the  $\overline{WE}$  high transition, the output buffers remain in a high-impedance state during this period.
- 13) If  $\overline{WE}$  is low or the  $\overline{WE}$  low transition occurs prior to or simultaneously with the  $\overline{CE}$  low transition, the output buffers remain in a high-impedance state during this period.
- 14) In a power-down condition, the voltage on any pin cannot exceed the voltage on  $V_{CC}$ .

## PACKAGE INFORMATION

(The package drawing(s) in this data sheet may not reflect the most current specifications. For the latest package outline information, go to [www.maxim-ic.com/DallasPackInfo](http://www.maxim-ic.com/DallasPackInfo).)

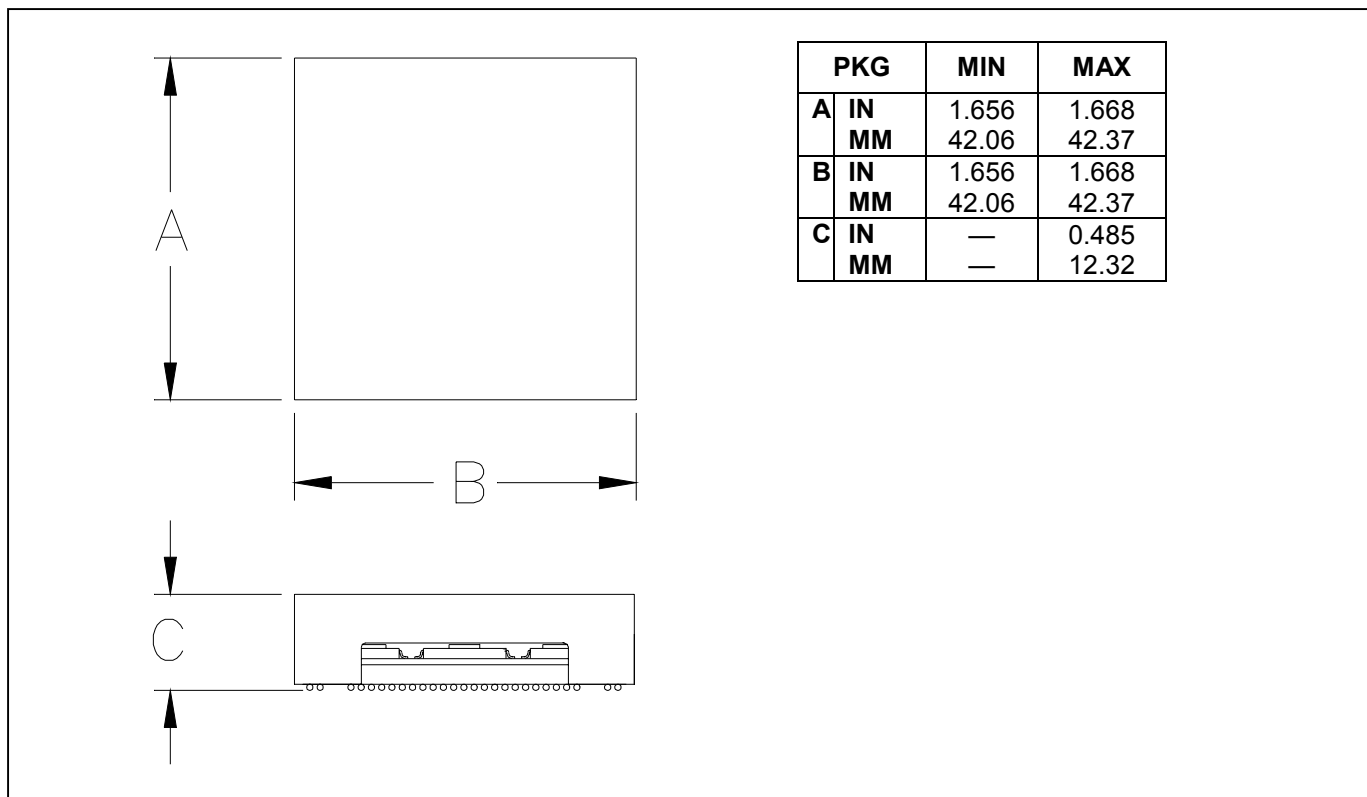


PKG		MIN	MAX
A	IN	1.570	1.580
	MM	39.88	40.13
B	IN	1.570	1.580
	MM	39.88	40.13
C	IN	0.033	0.043
	MM	0.84	1.09
D	IN	1.497	1.503
	MM	38.02	38.18
E	IN	0.047	0.053
	MM	1.19	1.35
F	IN	0.033	0.043
	MM	0.84	1.09
G	IN	0.047	0.053
	MM	1.19	1.35
H	IN	0.234	0.240
	MM	5.94	6.10
I	IN	0.160	0.200
	MM	4.00	5.10
K	IN	0.025	0.032
	MM	0.64	0.82



**PACKAGE INFORMATION (continued)**

(The package drawing(s) in this data sheet may not reflect the most current specifications. For the latest package outline information, go to [www.maxim-ic.com/DallasPackInfo](http://www.maxim-ic.com/DallasPackInfo).)

**DS1254 with Attached DS3800 Battery Cap**

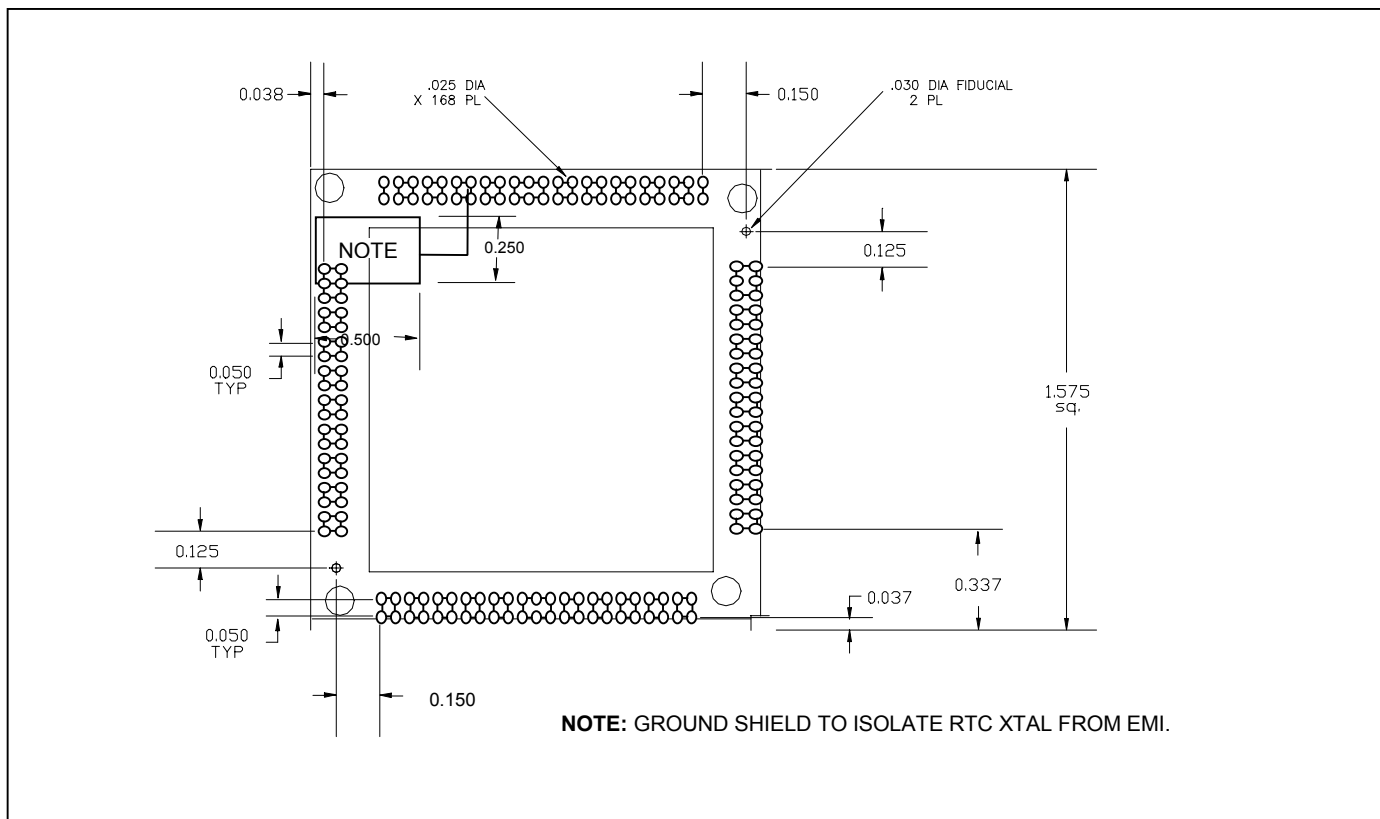


## PACKAGE INFORMATION (continued)

(The package drawing(s) in this data sheet may not reflect the most current specifications. For the latest package outline information, go to [www.maxim-ic.com/DallasPackInfo](http://www.maxim-ic.com/DallasPackInfo).)

### Recommended Land Pattern (with Overlaid Package Outline)

The DS1254 BGA is a subset of the industry-standard 40mm BGA format, with all balls on a 50-mil grid. Corner balls have been removed to provide space for the electrical and mechanical interface features that facilitate attachment of the DS3800 battery cap.



Maxim/Dallas Semiconductor cannot assume responsibility for use of any circuitry other than circuitry entirely embodied in a Maxim/Dallas Semiconductor product. No circuit patent licenses are implied. Maxim/Dallas Semiconductor reserves the right to change the circuitry and specifications without notice at any time.

**Maxim Integrated Products, 120 San Gabriel Drive, Sunnyvale, CA 94086 408-737-7600**

© 2003 Maxim Integrated Products • Printed USA