

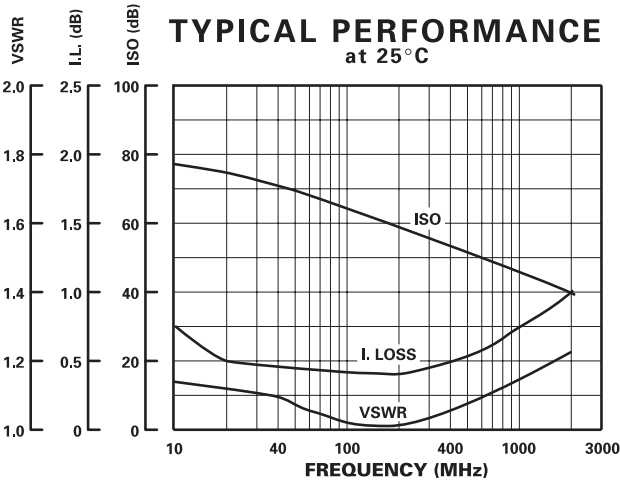
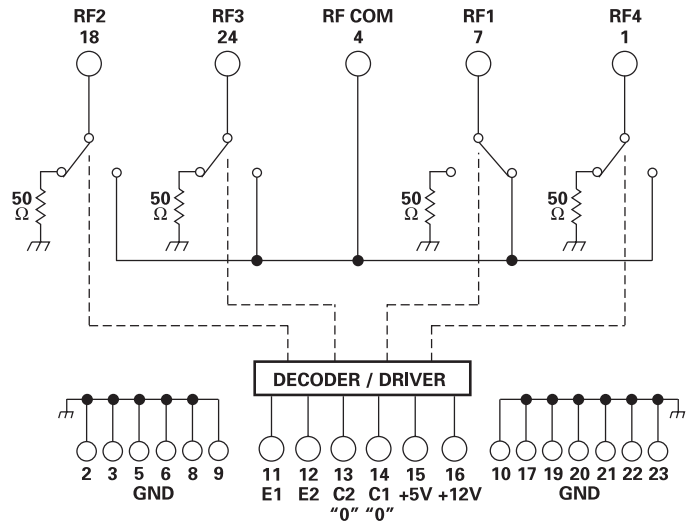
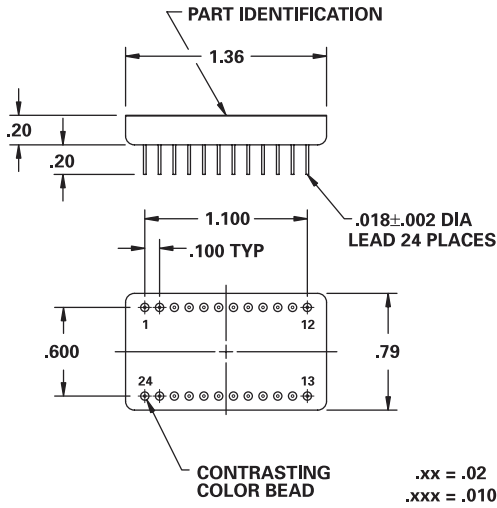
MODEL NUMBER DS0967

PIN Diode SP4T

FEATURES

- 20-2000 MHz
- Very Low Insertion Loss
- High Intercept Points
- TTL Driver With 2 Line BCD Control
- Non-Reflective
- 24 Pin DIP

SP4T



ENABLE CONDITION		
E1	E2	Switch
GND	+5V	Enable
+5V	X	Disable
X	GND	Disable

X = Don't Care, When Switch Is Disabled, All Outputs Are Terminated And the Common Is Reflective

LOGIC TABLE		
RF COM to	C2	C1
RF1	0	0
RF2	0	1
RF3	1	0
RF4	1	1

GUARANTEED PERFORMANCE

Parameter	Min	Typ	Max	Units	Conditions
Operating Frequency	20		2000	MHz	
DC Current		21	35	mA	At +5 VDC Supply
		11	20	mA	At +12 VDC Supply
Control Type		TTL			2 Line, See Logic Chart
Control Current	High Low	0	±20	μA	V _{IH} = +2.7V
		0	±20	μA	V _{IL} = +0.5V
Insertion Loss		0.5	0.6	dB	20 - 500 MHz
		0.7	0.9	dB	500 - 1000 MHz
		1.0	1.2	dB	1000 - 2000 MHz
Isolation	45	51		dB	20 - 500 MHz
	37	45		dB	500 - 1000 MHz
	30	39		dB	1000 - 2000 MHz
VSWR	Thru Termination	1.2/1	1.4/1		
		1.3/1	1.4/1		
Impedance		50		OHMS	
Switching Speed		1.4	5	μSEC	50% TTL to 90% / 10% RF
Transition (Rise/Fall) Time		0.1		μSEC	90% / 10% or 10% / 90% RF
Switching (Video) Transients		1.8		V	Peak Value
Intercept Points	2nd 3rd	+89		dBm	70 MHz / 50 MHz
		+47		dBm	35 MHz / 50 MHz
RF Power	Operate No Damage	+29	+25	dBm	0.1 dB Compression
		+30	+30	dBm	
Operating Temperature	-55	+25	+54	°C	TA



DAICO Industries

310.507.3242 • FAX 310.507.5701 • www.daico.com