

FEATURES

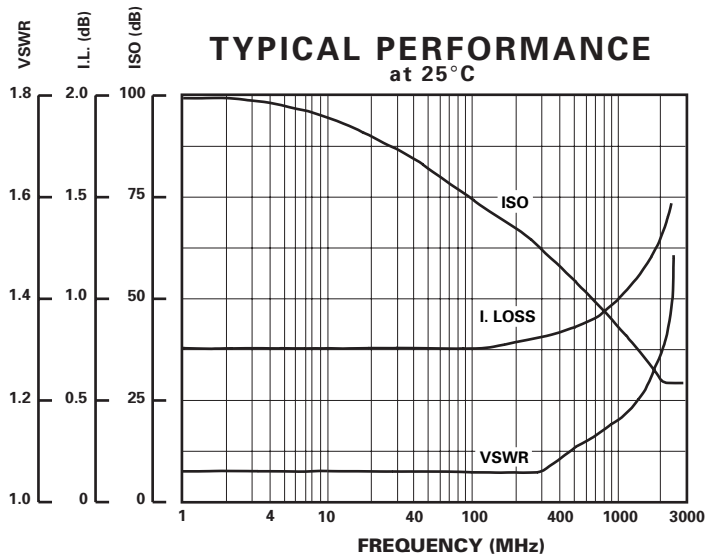
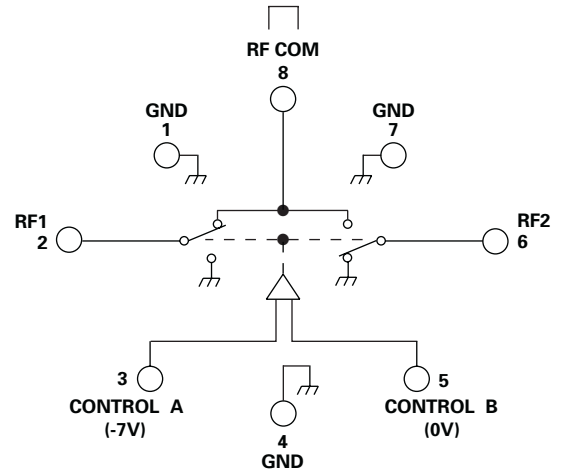
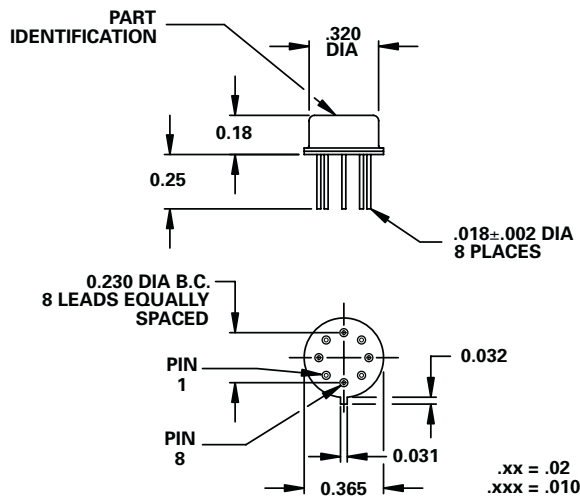
- DC - 2000 MHz
- 3 nSec Transition Time
- Ultra Small TO-5 Package
- Low Cost
- See DS0813 For Version With Integrated TTL Driver



**MODEL NO.
DS0850**

GaAs SP2T

SP2T



GUARANTEED PERFORMANCE

| Parameter | Min | Typ | Max | Units | Conditions |
|------------------------------|----------------------|----------------|-------------------|-------|--|
| Operating Frequency | DC | | 2000 | MHz | |
| Control Type | | | | | See Logic Table |
| Control Current | High Low | -10 4 | -200 20 | μA | V _{IH} = -7V V _{IL} = +0.5V |
| Insertion Loss | | 0.4 0.6 | 0.7 1.0 | dB | DC - 500 MHz 500 - 2000 MHz |
| Isolation | 60 40 25 | 68 47 32 | | dB | DC - 80 MHz 80 - 500 MHz 500 - 2000 MHz |
| VSWR | Thru | 1.1/1 1.3/1 | 1.5/1 1.5/1 | | DC - 500 MHz 500 - 2000 MHz |
| Impedance | | 50 | | OHMS | |
| Transition (Rise/Fall) Time | | 3 | | nSEC | 90% / 10% or 10% / 90% RF |
| Switching (Video) Transients | | 12 | 50 | mV | Peak Value |
| Intercept Points | 2nd 3rd | +70 +52 | | dBm | 70 MHz / 50 MHz 35 MHz / 50 MHz |
| RF Power | Operate No Damage | +17 +27 | +13 +25 +30 | dBm | 1.0 dB Comp. 1 - 25 MHz 1.0 dB Comp. Above 25 MHz |
| Operating Temperature | -55 | +25 | +125 | °C | TA |

LOGIC TABLE

| CONT A | CONT B | RF COM TO: |
|--------|--------|------------|
| -7V | 0V | RF1 |
| 0V | -7V | RF2 |