

SP2T

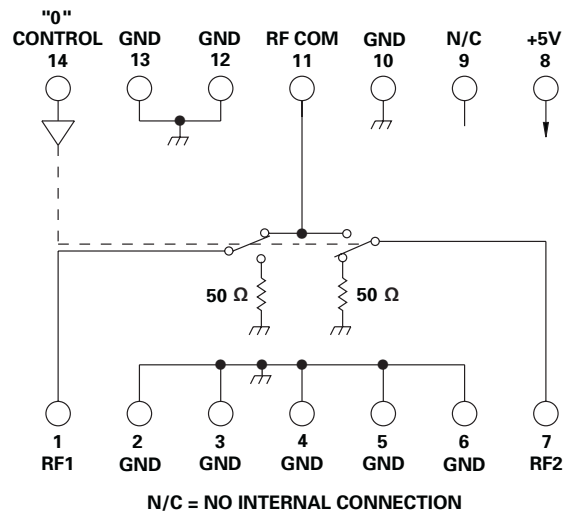
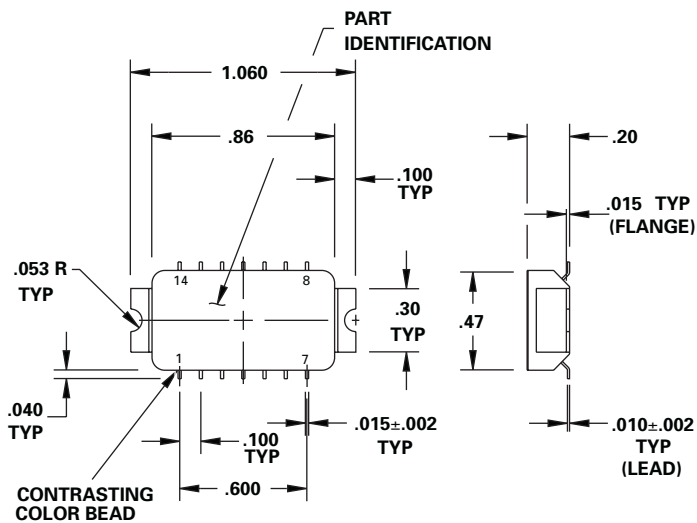
FEATURES

- 5 - 1000 MHz
- 75 dB Isolation
- High Intercept Points
- 0.7 mA, +5 VDC
- TTL Driver
- Non-Reflective
- 14 Pin Surface Mount Package
- See DS0842 For 14 Pin DIP Version



MODEL NO. DS0742

GaAs SP2T



GUARANTEED PERFORMANCE

| Parameter | Min | Typ | Max | Units | Conditions |
|------------------------------|----------------------|-------------|--------------|------------------|--|
| Operating Frequency | 5 | | 1000 | MHz | |
| DC Current | | 0.7 | 1.0 | mA | At +5 VDC Supply |
| Control Type | | TTL | | | 1 Line Logic "0" = PIN 11 to PIN 1 Logic "1" = PIN 11 to PIN 7 |
| Control Current | | High Low | +3.5 +0.8 | ±10 ±10 μA | V _{IH} = +3.0V V _{IL} = +0.5V |
| Insertion Loss | | | 1.1 1.6 | 1.7 2.2 dB | 5 - 300 MHz 300 - 1000 MHz |
| Isolation | 60 50 | 75 58 | | | 5 - 300 MHz 300 - 1000 MHz |
| VSWR | | 1.2/1 | 1.4/1 | | |
| Impedance | | 50 | | OHMS | |
| Switching Speed | | 45 | 70 | nSEC | 50% TTL to 90% / 10% RF |
| Transition (Rise/Fall) Time | | 40 | | nSEC | 90% / 10% or 10% / 90% RF |
| Switching (Video) Transients | | 50 | | mV | Peak Value |
| Intercept Points | 2nd 3rd | +78 +54 | | dBm | 500 MHz / 300 MHz 250 MHz / 300 MHz |
| RF Power | Operate No Damage | +14 | +10 +30 | dBm | 0.1 dB Compression |
| Operating Temperature | -55 | +25 | +125 | °C | TA |

