

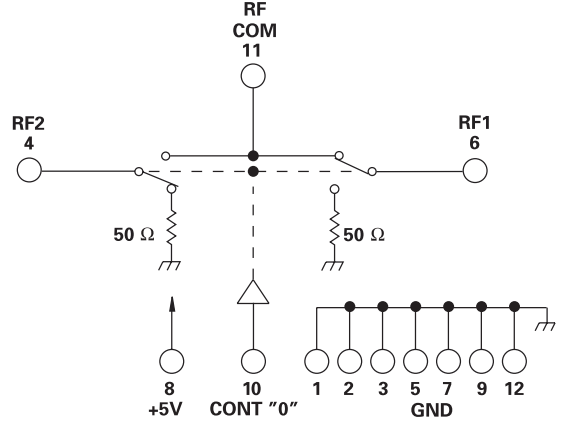
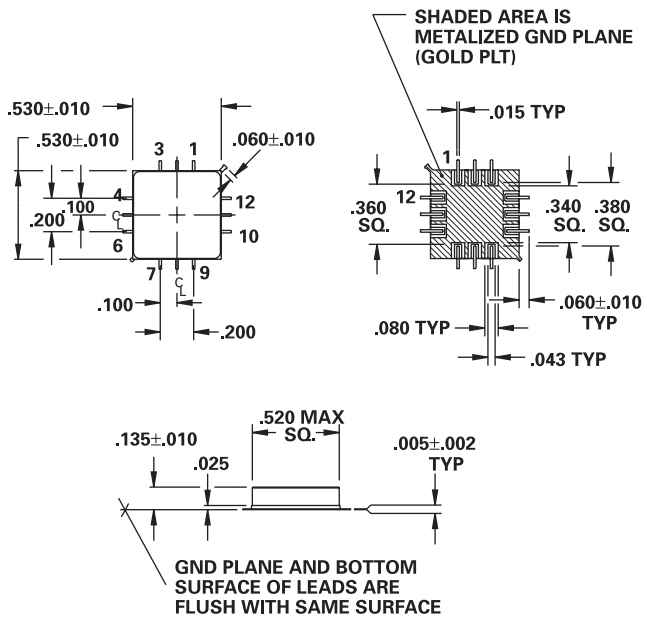
**MODEL NUMBER
DS0712**

GaAs SP2T

FEATURES

- 10 - 1000 MHz
- 0.7 dB Insertion Loss
- Non-Reflective
- TTL Driver
- 12 Pin SMP
- See DS0812 For TO-8 Version

SP2T



GUARANTEED PERFORMANCE

Parameter	Min	Typ	Max	Units	Conditions
Operating Frequency	10		1000	MHz	
DC Current		2	5	mA	At +5 VDC Supply
Control Type		TTL			1 Line Logic "0" = RF COM to RF1 Logic "1" = RF COM to RF2
Control Current		0	±10	µA	V _{IH} = +3.0V V _{IL} = +0.5V
Insertion Loss		0.4	0.7	dB	10 - 100 MHz
		0.7	1.0	dB	100 - 1000 MHz
Isolation		50	61	dB	10 - 100 MHz
		40	50	dB	100 - 300 MHz
		25	32	dB	300 - 1000 MHz
VSWR		1.1/1	1.4/1		Thru Termination
Impedance		50		OHMS	
Switching Speed		30	50	nSEC	50% TTL to 90% / 10% RF
Transition (Rise/Fall) Time		15		nSEC	90% / 10% or 10% / 90% RF
Switching (Video) Transients		21	50	mV	Peak Value
Intercept Points	2nd	+89		dBm	70 MHz / 50 MHz
	3rd	+50		dBm	35 MHz / 50 MHz
RF Power		+19	+13	dBm	0.1 dB Compression
			+30	dBm	
Operating Temperature	-55	+25	+125	°C	TA

