

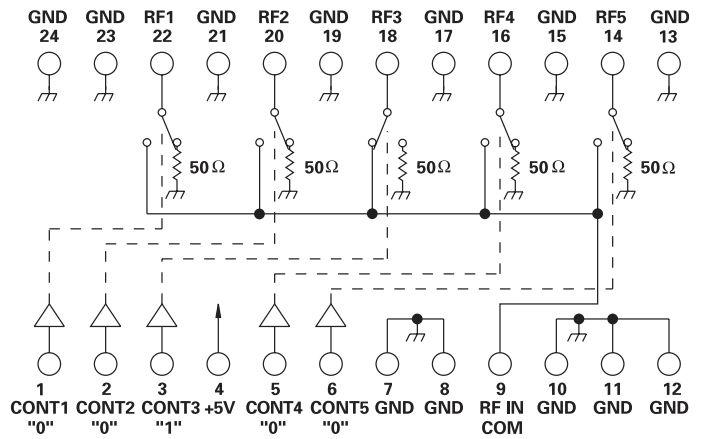
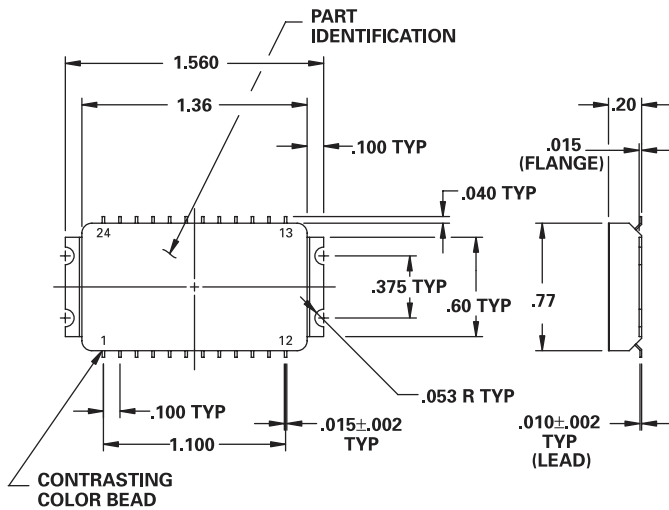
MODEL NUMBER DS0705

GaAs SP5T

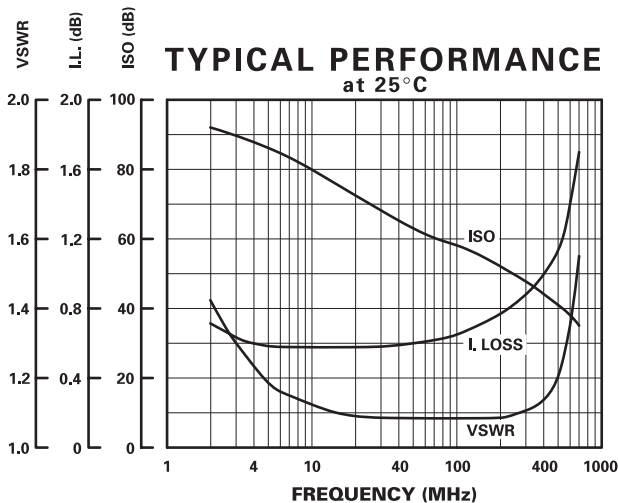
FEATURES

- 10 - 400 MHz
- 0.5 mA @ +5 VDC
- 1.0 dB Insertion Loss
- 40 mV Transients
- Non-Reflective
- TTL Driver
- 24 Pin Surface Mount Package

SP5T



GUARANTEED PERFORMANCE



Parameter	Min	Typ	Max	Units	Conditions
Operating Frequency	10		400	MHz	
DC Current		0.5	5	mA	At +5 VDC Supply
Control Type		TTL			5 Line Logic "1" = Thru Logic "0" = Isolation
Control Current	High Low	0	±40	µA	V _{IH} = +3.0V V _{IL} = +0.5V
Insertion Loss		0.7	1.0	dB	10 - 175 MHz
		1.0	1.4	dB	175 - 400 MHz
Isolation	40	53		dB	10 - 175 MHz
	30	43		dB	175 - 400 MHz
VSWR	Thru Termination	1.1/1	1.3/1		
Impedance		50		OHMS	
Switching Speed		60	100	nSEC	50% TTL to 90% / 10% RF
Transition (Rise/Fall) Time		30		nSEC	90% / 10% or 10% / 90% RF
Switching (Video) Transients		40	100	mV	
Intercept Points	2nd 3rd	+84 +55		dBm	214 MHz / 127 MHz 107 MHz / 127 MHz
RF Power	Operate No Damage	+19 +24	+13 +20	dBm	0.1 dB Compression 0.1 dB Comp. Above 100 MHz
		+25	+30	dBm	
Operating Temperature	-55	+25	+125	°C	TA



DAICO Industries

310.507.3242 • FAX 310.507.5701 • www.daico.com