

MODEL NUMBER DS0602

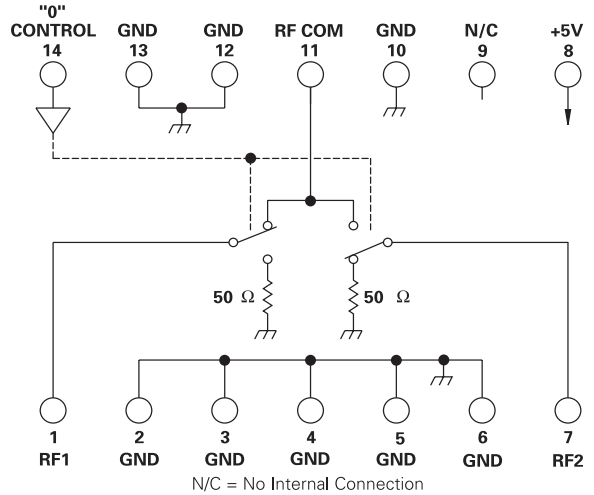
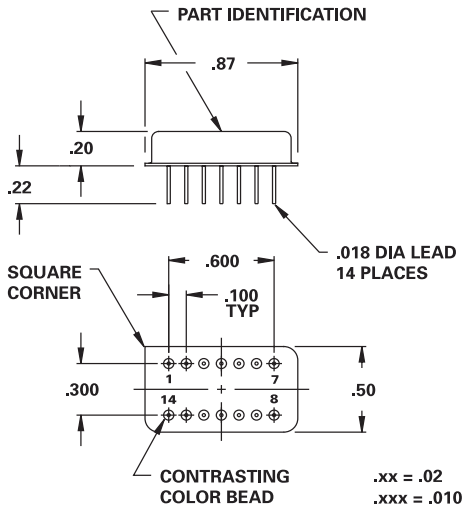
GaAs SP2T

FEATURES

- 5 - 4000 MHz
- 16 nSec Switching Speed
- 0.2 mA, +5 VDC

- TTL Driver
- Non-Reflective
- See DS0632 For Surface Mount Version

SP2T



GUARANTEED PERFORMANCE

Parameter	Min	Typ	Max	Units	Conditions
Operating Frequency	5		4000	MHz	
DC Current		0.23	1	mA	AT +5 VDC Supply
Control Type					1 Line TTL OR +5V CMOS Logic "0" = RF COM to RF1 Logic "1" = RF COM to RF2
Control Current	High Low	1 1	±10 ±10	μA μA	V _{IH} = +2.7V V _{IL} = +0.5V
Insertion Loss		0.9 1.1 1.5 2.5	1.2 1.5 2.0 3.0	dB dB dB dB	5 - 50 MHz 50 - 500 MHz 500 - 2000 MHz 2000 - 4000 MHz
Isolation	70 60 50 40 30	76 65 55 48 37		dB dB dB dB dB	5 - 200 MHz 200 - 500 MHz 500 - 1000 MHz 1000 - 2000 MHz 2000 - 4000 MHz
VSWR	Thru Termination	1.2/1 1.2/1 1.5/1 1.8/1	1.3/1 2.0/1 2.0/1 2.2/1		5 - 2000 MHz 2000 - 4000 MHz 5 - 2000 MHz 2000 - 4000 MHz
Impedance		50		OHMS	
Switching Speed		16	25	nSEC	50% TTL to 90% / 10% RF
Transition (Rise/Fall) Time		4	15	nSEC	90% / 10% or 10% / 90% RF
Switching (Video) Transients		30	200	mV	Peak Value
Intercept Points	2nd 3rd	+50 +30	+66 +40	dBm dBm	214 MHz / 127 MHz 107 MHz / 127 MHz
RF Power	Operate No Damage	+9 +12 +19	+7 +10 +17	dBm dBm dBm	0.1 dB Comp Below 50 MHz 0.1 dB Comp 50 - 300 MHz 0.1 dB Comp Above 300 MHz
Operating Temperature		-55	+25	+125	°C TA

