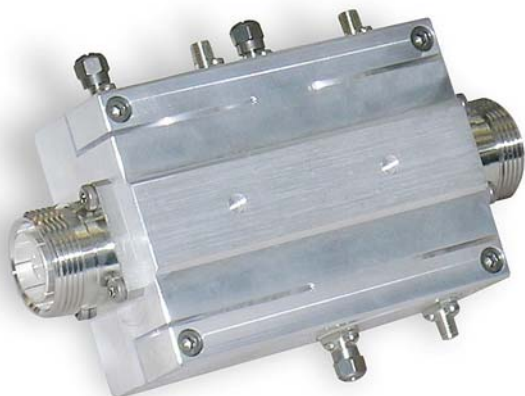


UHF/VHF DIRECTIONAL COUPLER

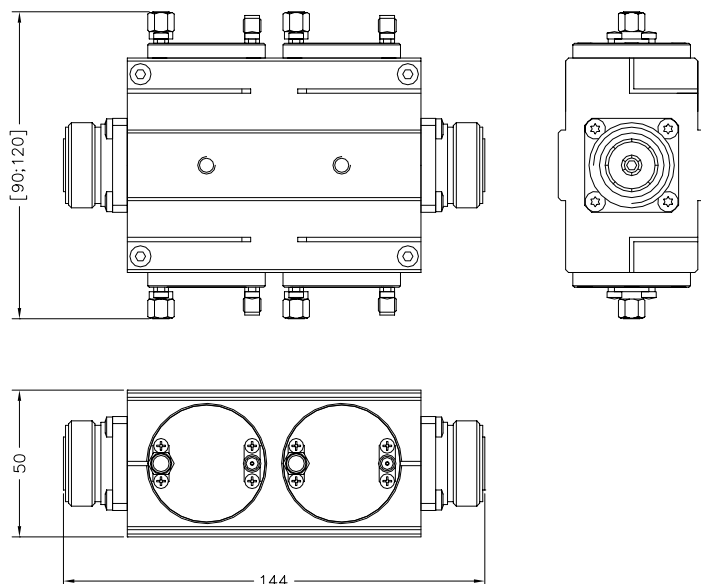
DC23/nABC

2 kW, 2-3-4 SMA Female Probes



FEATURES

- UHF 2 kW DTV / 3 kW ATV directional coupler
- Available with up to 4 SMA probes
- No matching regulations



COAXIAL COMPONENTS

SPECIFICATIONS

Frequency Range	470 – 862 MHz (DC23/nC) 162- 254 MHz (DC23/nB) 41-100 MHz (DC23/nA)
Max Output Power	2 kW DTV / 3 kW ATV
Coupling	-33 to -53 dB (on any channel)
Return Loss	> 30 dB
Directivity	> 30 dB
Operating Temperature	-5 to +45 °C
Weight (Approx)	1 kg
Connectors	2 x 7-16 Female

OPTIONS

C	N Female Connector
D	N Male Connector
F	7-16 Male Connector
G	EIA 7/8" Unflanged Conn.
H	EIA 7/8" Flanged Conn.
I	EIA 7/8" Plug Conn.
J	EIA 1+5/8" Unflanged Conn.
K	EIA 1+5/8" Flanged Conn.