

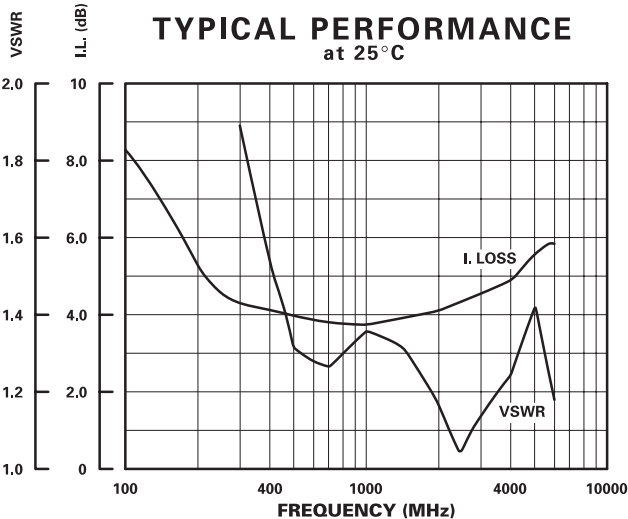
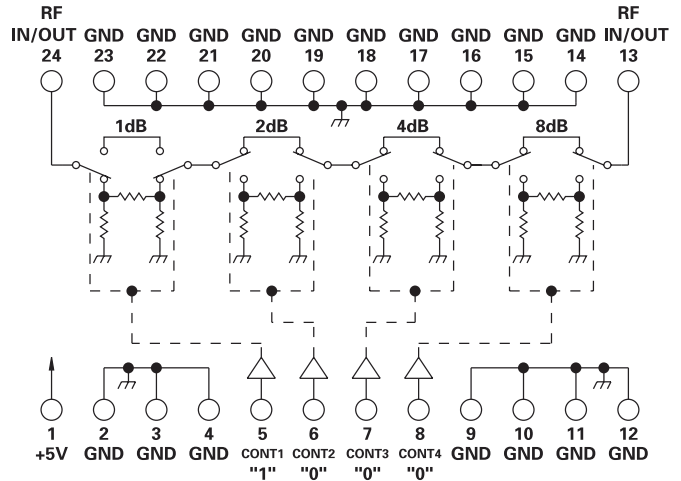
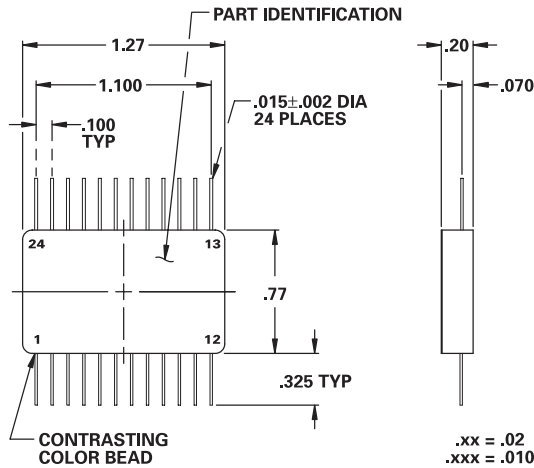
MODEL NUMBER DAT48060

Attenuator 4 Section

FEATURES

- 1800-4200 MHz
- 50 nSec Switching Speed
- CMOS Control
- 24 Pin Flatpack

4 BIT



GUARANTEED PERFORMANCE

Parameter	Min	Typ	Max	Units	Conditions
Operating Frequency	1800		4200	MHz	
DC Current		0.8	5.0	mA	At +5 VDC Supply
Control Type		CMOS			4 Line Logic "0" = Thru Logic "1" = Attenuation
Control Current	High Low	0 0	±40 ±40	µA	2.7 Volts 0.5 Volts
Insertion Loss		5.0	6.0	dB	
Attenuation	LSB Range Accuracy Flatness	0	1 15	dB dB dB	1, 2, 4, 8 ± (0.25 dB +5% of Atten. Setting in dB)
VSWR		1.3/1	1.7/1		
Impedance		50		OHMS	
Switching Speed		27	50	nSec	50% TTL to 90% / 10% RF 90% / 10% RF
Transition (Rise/Fall) Time		12		nSec	90% / 10% or 10% / 90% RF
Switching (Video) Transients		75		mV	Peak Value
Intercept Points	2nd 3rd	+65 +38	+70 +43	dBm dBm	1950 / 750 MHz Inputs 975 / 750 MHz Inputs
RF Power	Operate No Damage		+22 +10 +23	dBm dBm dBm	0.1 dB Compression
Operating Temperature		0	+25	+65	°C TA
Non-Operating Temperature		-34		+95	°C TA