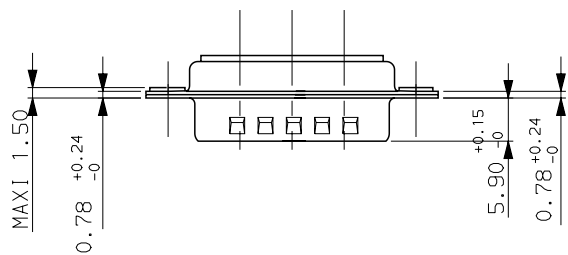
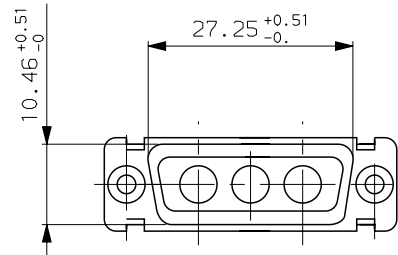
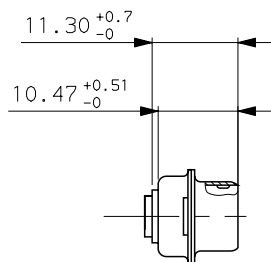
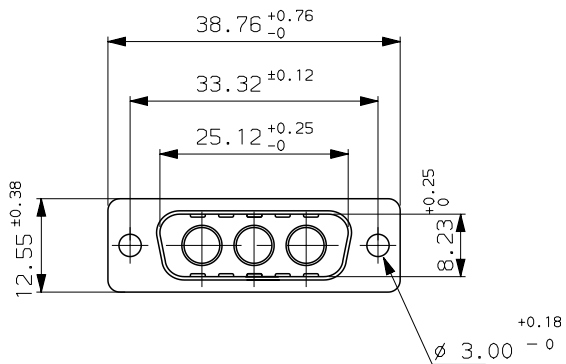


GENERAL CHARACTERISTICS : SEE DRAWING C01-8639-0001



Core range
DA3W3PA00
PART NUMBER

c	16/10/03	update	--
ISS	DATE	Latest modification by : BART.S	MOD N°
Designed by: JARRY		date: 15/09/95	Type of drawing: CLIENT
TITLE : PIN CONNECTOR FOR POWERS CONTACTS .			SHEET 1/1
SCALE: 1.5			
	FRAMATOME CONNECTORS FRANCE Rue Louis Breguet - BP 05 72024 LE MANS Cedex Tel. 33 (16) 43.84.08.43		This document is the property of FRAMATOME CONNECTORS FRANCE It must not be reproduced or communicated without permission in writing from the owners
	FORMAT A3	SOURIAU DRG N° C01-8639-0458-1	PROJECT M94D001