

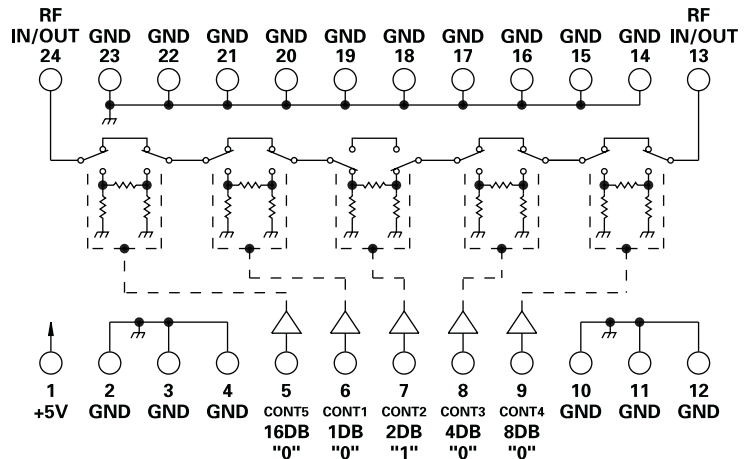
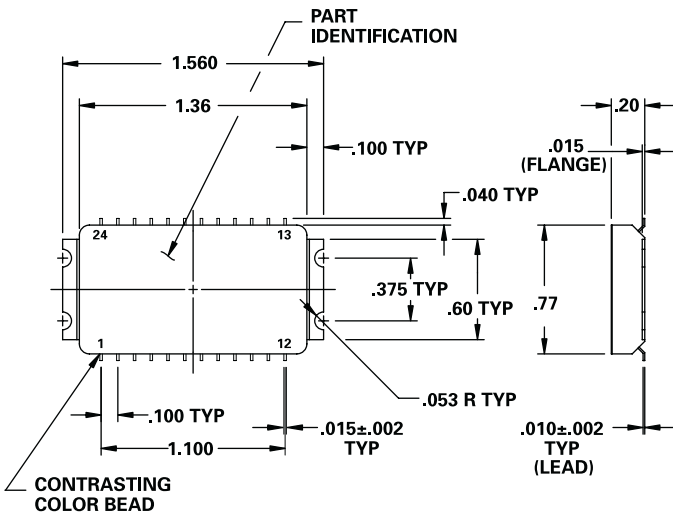
# MODEL NUMBER DA0769

# PIN Diode 5 Section Attenuator

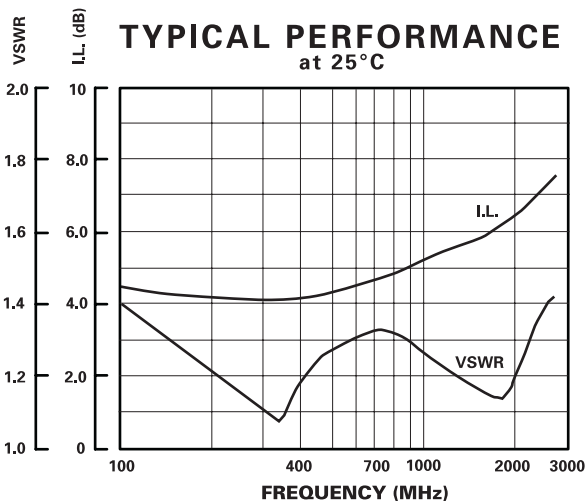
## FEATURES

- 300-1000 MHz
- 3.4 dB Insertion Loss
- 200 nSec Switching Speed
- TTL Control
- 24 Pin Surface Mount Package

**5 BIT**



## GUARANTEED PERFORMANCE



Parameter	Min	Typ	Max	Units	Conditions
Operating Frequency	300		1000	MHz	
DC Current		15	20	mA	At +5 VDC Supply
Control Type		TTL			5 Line Logic "0" = Thru Logic "1" = Attenuation
Control Current	High	1	±20	µA	V <sub>IH</sub> = +2.7 V
	Low	1	±20	µA	V <sub>IL</sub> = +0.5 V
Insertion Loss		5.0	6.0	dB	
Attenuation	LSB Range Accuracy	0	31	dB	1, 2, 4, 8, 16 ± (0.25 dB + 2% of Atten. Setting in dB)
VSWR		1.3/1	1.5/1		
Impedance		50		OHMS	
Switching Speed		2.5	3.0	µSec	50% TTL to 90% / 10% RF
Transition (Rise/Fall) Time		300		nSec	90% / 10% or 10% / 90% RF
Switching (Video) Transients		110		mV	Peak Value
Intercept Points	2nd	+60		dBm	214 MHz / 127 MHz
	3rd	+38		dBm	107 MHz / 127 MHz
RF Power	Operate No Damage	+13	+10	dBm	0.1 dB Compression
		+20		dBm	
Operating Temperature	-55	+25	+85	°C	TA