



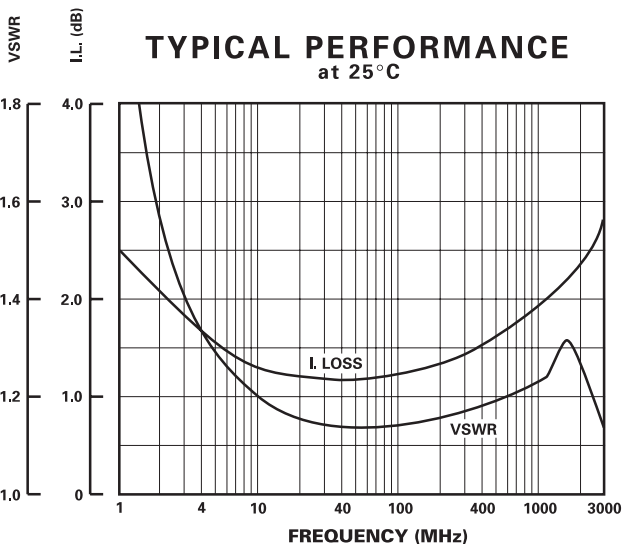
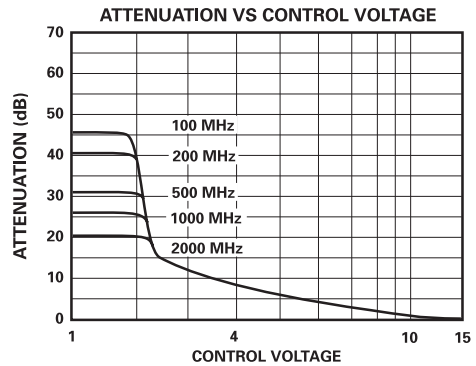
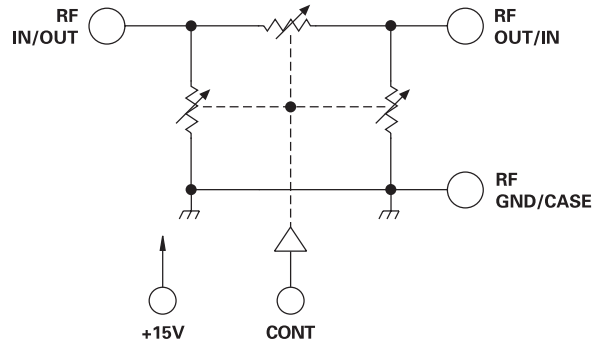
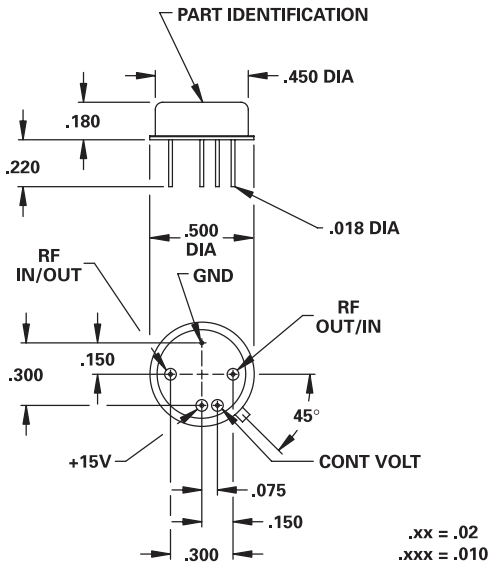
MODEL NUMBER DA0645

PIN Diode VCA

FEATURES

- 5-2000 MHz
- 34 dB Range
- TO-8 Package
- Low Cost

VCA



GUARANTEED PERFORMANCE

Parameter	Min	Typ	Max	Units	Conditions
Operating Frequency	5		2000	MHz	
DC Current	Supply	11	15	mA	At +15 V TYP, 18 V Max VC = 0 V to +15 V
	Control	4	7	mA	
Response Time		100	125	μ Sec	0% / 100%
			60	μ Sec	10% / 90%
Insertion Loss		1.7	2.5	dB	5 - 1000 MHz
			2.0	3.0	dB
Attenuation	Range	31	34	dB	5 - 500 MHz
		25	28	dB	500 - 1000 MHz
		18	21	dB	1000 - 2000 MHz
	Flatness	± 0.5	± 1.0	dB	5 - 1000 MHz, 0 - 15 dB Atten.
VSWR		1.20/1	2.0/1		5 - 1000 MHz
			1.30/1	2.2/1	1000 - 2000 MHz
Impedance		50		OHMS	
Intercept Points	2nd	+82		dBm	70 MHz / 50 MHz
		+46		dBm	35 MHz / 50 MHz
	3rd	+56		dBm	70 MHz / 50 MHz, 16 dB Atten.
		+36		dBm	35 MHz / 50 MHz, 16 dB Atten.
RF Power	Operate	+21	+17	dBm	0.1 dBm Compression (F = 5 MHz, Vc = +15 V)
	No Damage		+20	dBm	
Operating Temperature	-55	+25	+125	$^{\circ}$ C	TA