

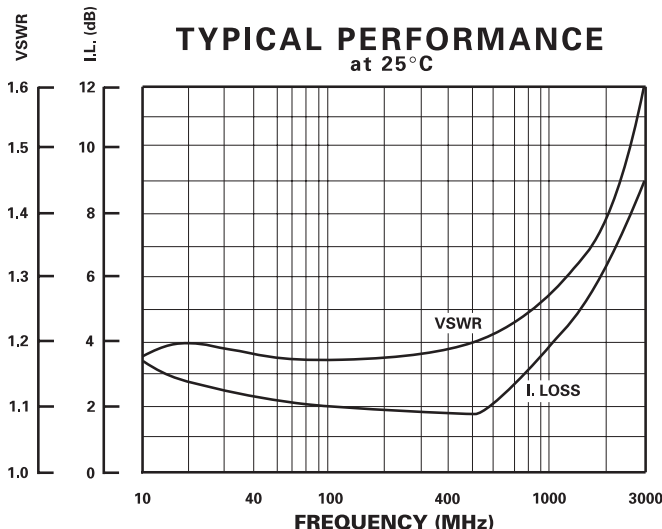
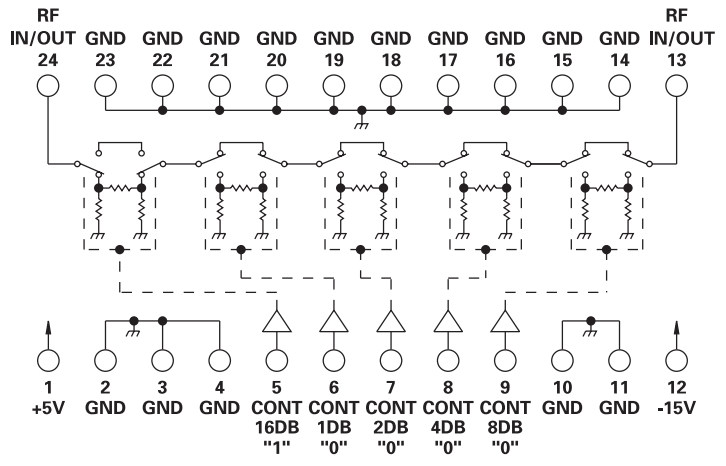
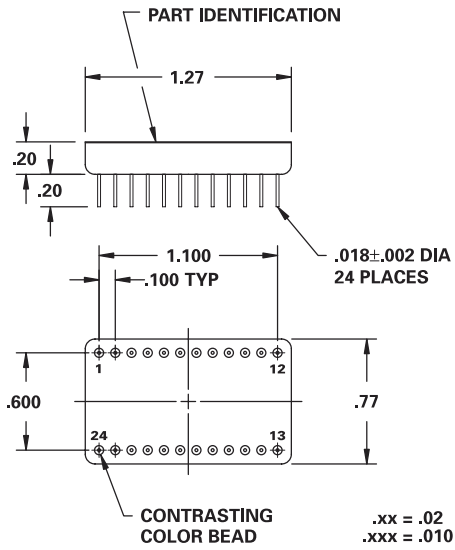
MODEL NUMBER DA0620

Attenuator 5 Section

FEATURES

- 100- 1900 MHz
- 1 dB LSB, 31 dB Range
- CMOS Control
- 24 Pin DIP

5 BIT



GUARANTEED PERFORMANCE

| Parameter | Min | Typ | Max | Units | Conditions |
|-----------------------------|----------------|--------|-------|-------|---|
| Operating Frequency | 100 | | 1900 | MHz | |
| DC Current | | 72 | 125 | mA | At +5 VDC Supply |
| | | 50 | 75 | mA | At -15 VDC Supply |
| Control Type | | CMOS | | | 5 Line Logic "0" = Thru Logic "1" = Attenuation |
| Control Current | High | 0 | ±1 | µA | V _{IH} = +5.0 V |
| | Low | 0 | ±1 | µA | V _{IL} = 0 V |
| Insertion Loss | | 5 | 7 | dB | 100 - 1000 MHz |
| | | 7 | 10 | dB | 1000 - 1900 MHz |
| Attenuation | LSB | 0 | 1 | dB | 1, 2, 4, 8, 16 ± (0.25 dB ± 3% of Atten. Setting in dB) |
| | Range Accuracy | | 31 | dB | |
| VSWR | | 1.25/1 | 1.5/1 | | 100 - 1000 MHz |
| | | 1.4/1 | 1.7/1 | | 1000 - 1900 MHz |
| Impedance | | 50 | | OHMS | |
| Switching Speed | | 2.6 | 5.0 | µSec | 50% Control to 90% / 10% RF |
| Transition (Rise/Fall) Time | | 2 | | µSec | 90% / 10% or 10% / 90% RF |
| RF Power | Operate | +17 | +10 | dBm | 100 - 500 MHz |
| | | +20 | +13 | dBm | 500 - 1900 MHz |
| | No Damage | | +27 | dBm | |
| Operating Temperature | -55 | +25 | +125 | °C | TA |