

# SSR

## 120/240V 30A (RMS)

D2W130CD D2W230CD  
 D2W130CF D2W230CF  
 D2W130CG D2W230CG

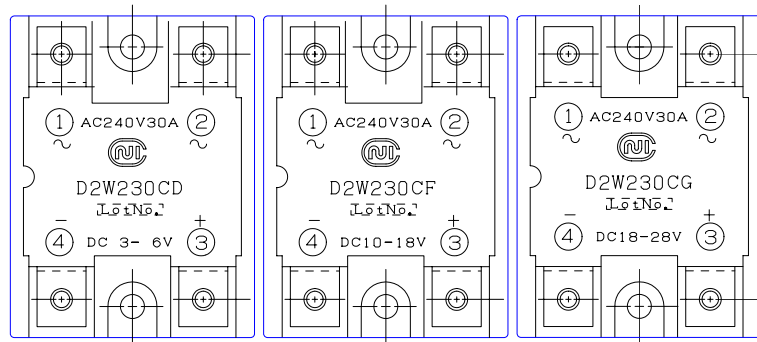
Zero-crossing Models

### Futures

- \* Large capacity(30Arms) in spite of the standard package.
- \* Low Noise Switching and Rush Current

### Function

- \* Single Pole, Single Throw Normally Open
- \* With Zero Crossing Voltage Switching Circuit



### Characteristics and Ratings

Parameter	Symbol	Characteristics / Ratings						Unit
		D2W130CD	D2W130CF	D2W130CG	D2W230CD	D2W230CF	D2W230CG	

#### Output

Rated Voltage	$V_{(RMS)}$	120			240			V
A.C. Line Voltage Range	$V_{(RMS)}$	60 to 140			60 to 280			V
Operating Frequency	f	47 to 63						HZ
Maximum Load Current	$I_{(RMS)}$	30						A
Non-repetitive One Cycle Surge Current	$I_{TSM}$	300						A
Minimum Operating Current	$I_{op(RMS)}$	120						mA
Maximum off-state Leakage Current	$I_{leak(RMS)}$	2.0 (@120Vrms)			4.0 (@240Vrms)			mA
Maximum on-sate Voltage Drop	$V_{T(RMS)}$	1.6						V
Response Time	$T_{(tps)}$	1/2 Cycle + 1mS						-

#### Input

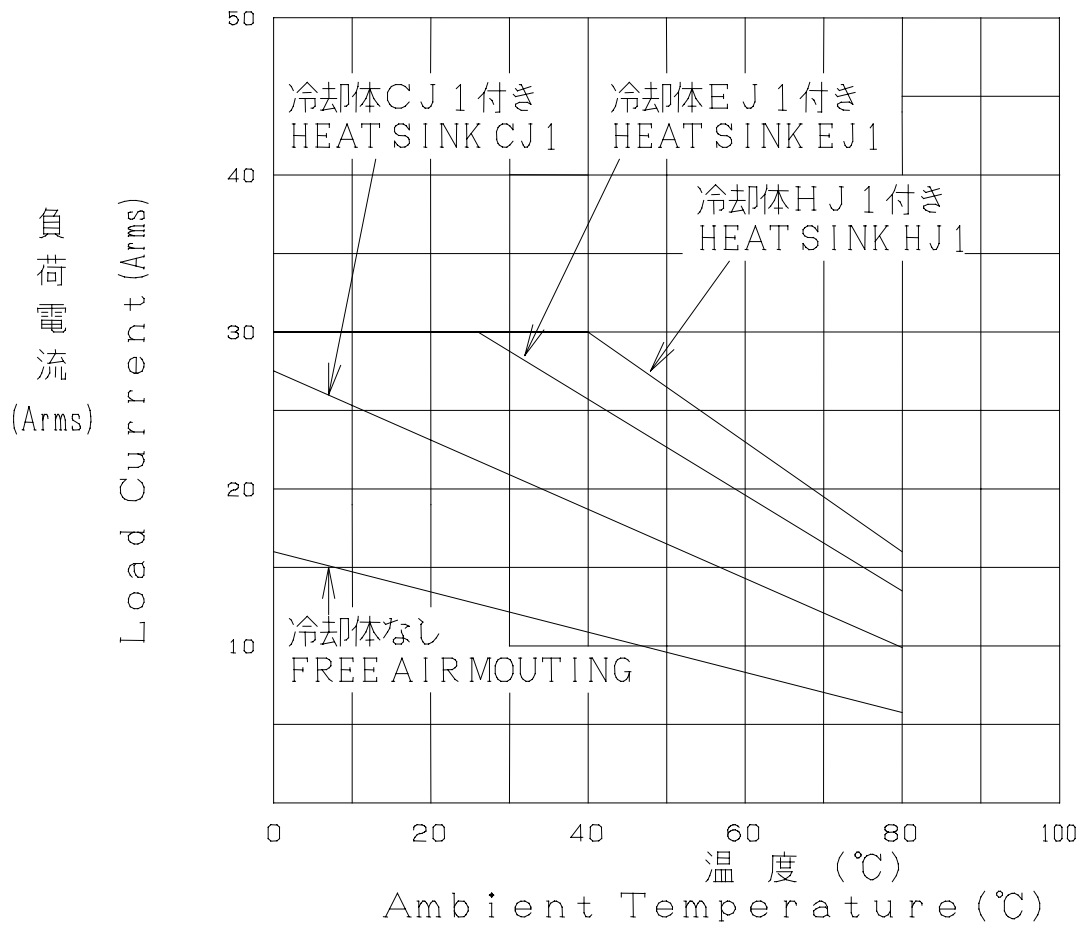
Control Signal Voltage Range	$I_{(NDC)}$	3 to 6	10 to 18	18 to 28	3 to 6	10 to 18	18 to 28	V
Input Impedance	$R_{(IN)}$	260	860	1360	260	860	1360	ohm
Pick-up Voltage	PUV	3.0	10.0	18.0	3.0	10.0	18.0	V
Drop-out Voltage	DOV	1.0						V

#### Input/Output

AC Isolation Voltage (Between Input , Output Terminals and Base)	$V_{iso(RMS)}$	1500						V
Capacitance (Between input and output)	$C_{(io)}$	100						pF
Operating Temperature Range	$T_{op}$	-20 to +80						°C
Storage Temperature Range	$T_{stg}$	-25 to +85						°C

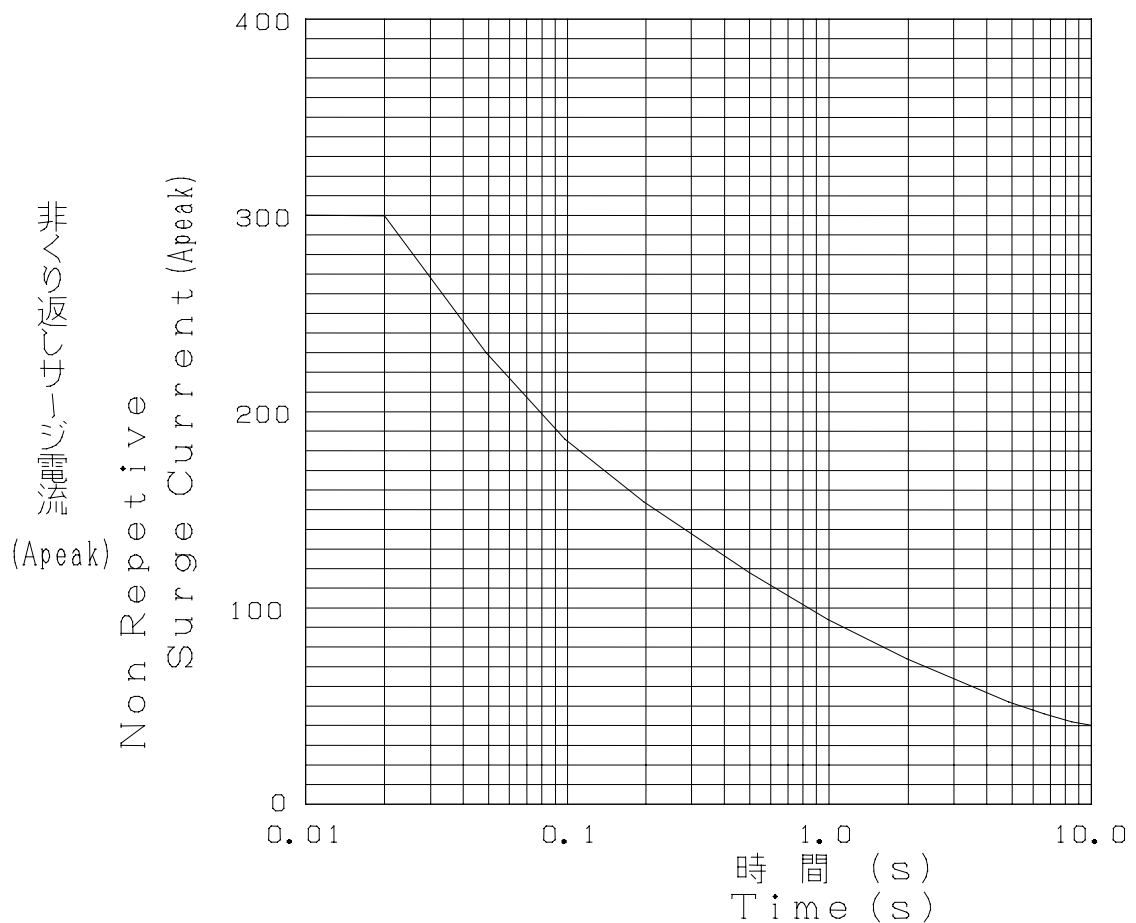
負荷低減曲線

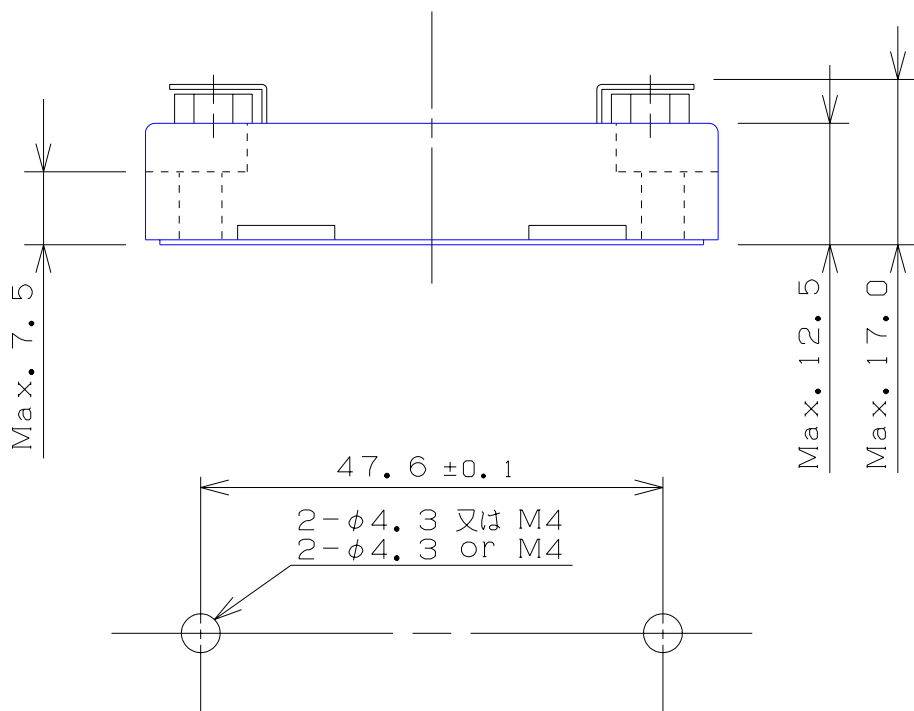
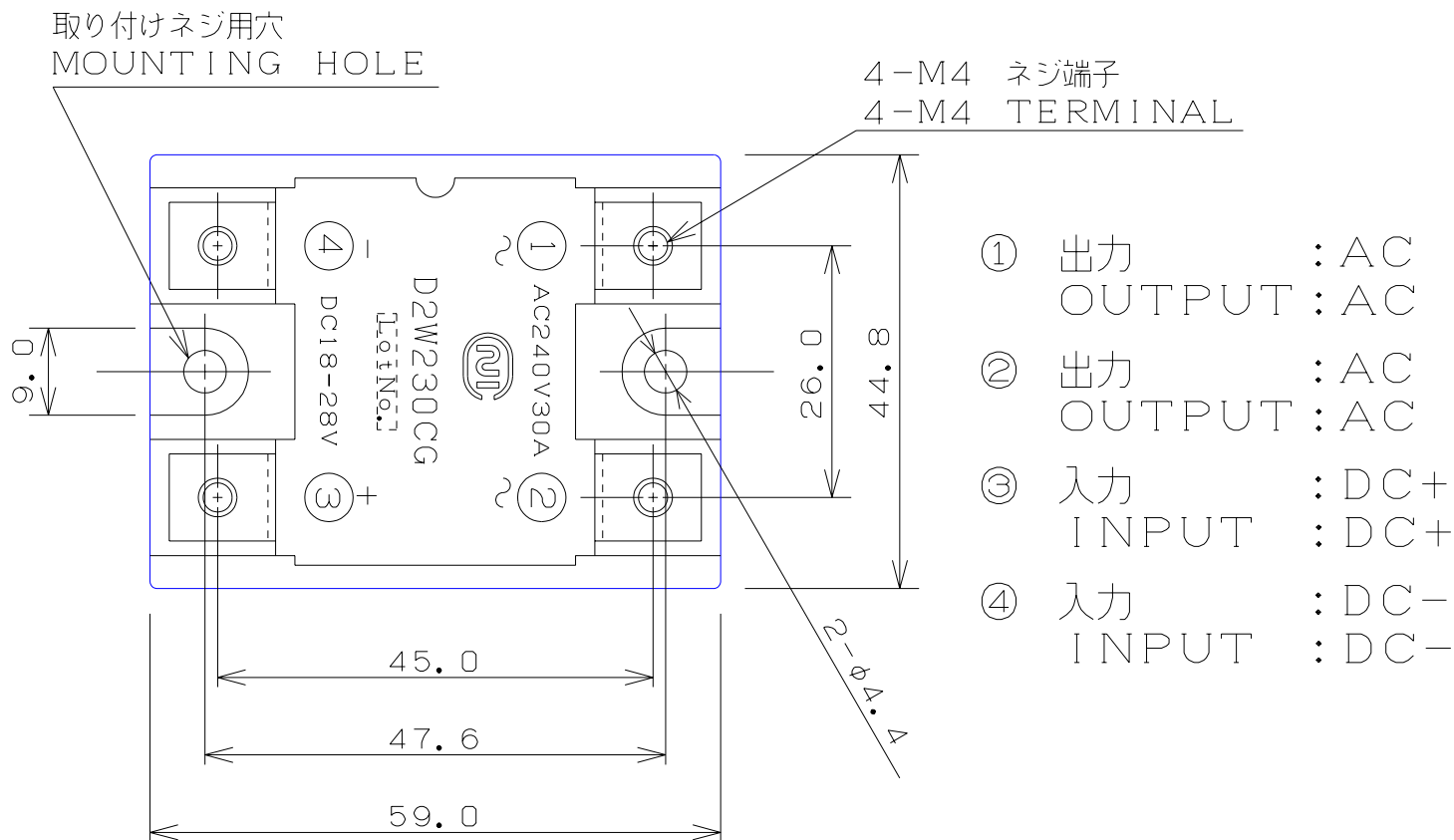
Use of Thermal Curves



サージ電流耐量曲線

Surge Current vs Duration





取り付け穴加工図  
MOUNTING DIMENSION

電極端子ネジ M4×8 4pcs/1袋 添付  
Attached. TERMINAL SCREW M4×8; 4pcs/1PACKAGE

指定なき寸法公差は、±0.5とする  
TOLERANCES (UNLESS, OTHERWISE, NOTE) : ±0.5