

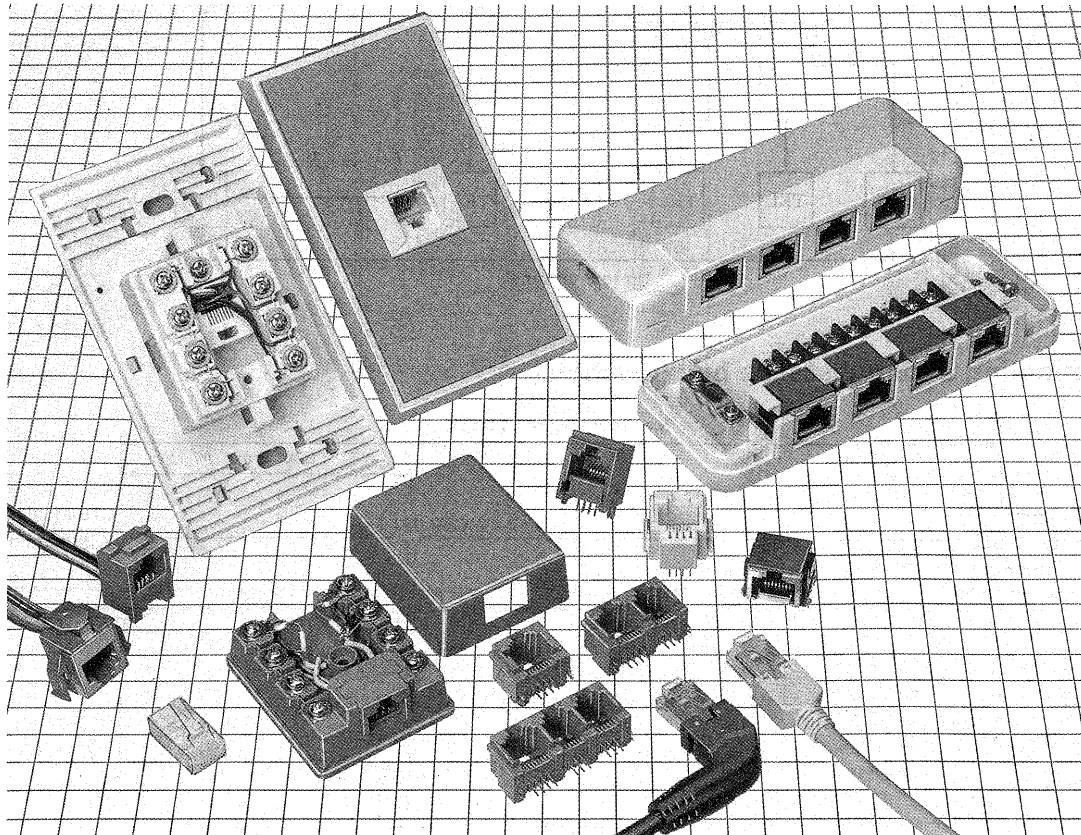
TM · CTB RECTANGULAR CONNECTORS

ISDN and HBS CONNECTORS

■ GENERAL

The connectors shown below have been developed for terminating home buses and ISDN (Integrated Services Digital Network) equipment. In particular, the Modular

8-core connectors are standardized by ISO 8877 as ISDN interface connectors, and have been field-proven by us over a long period of time.



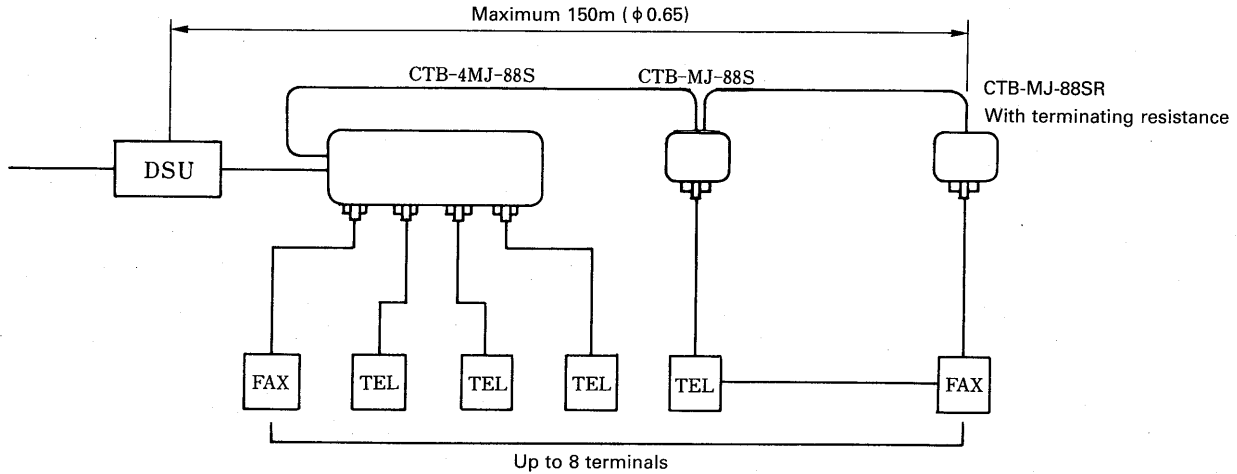
■ FEATURES

- (1) Modular connectors comply with FCC standards, and are adapted as international standard connectors in ISO 8877.
- (2) A variety of the modular jacks are available such as lead wire type, DIP type, and anti-EMI type according to the designs of various sets.
- (3) The CTB series (terminating parts) have modular openings, and are available in modular one opening and four openings. Also, the series are available with terminating resistance.
- (4) Eight-core flush modulars for HBS (Home Bus System) are of simple construction, and are superior to conventional panel work. They can save installation time. The modular parts have shutters.

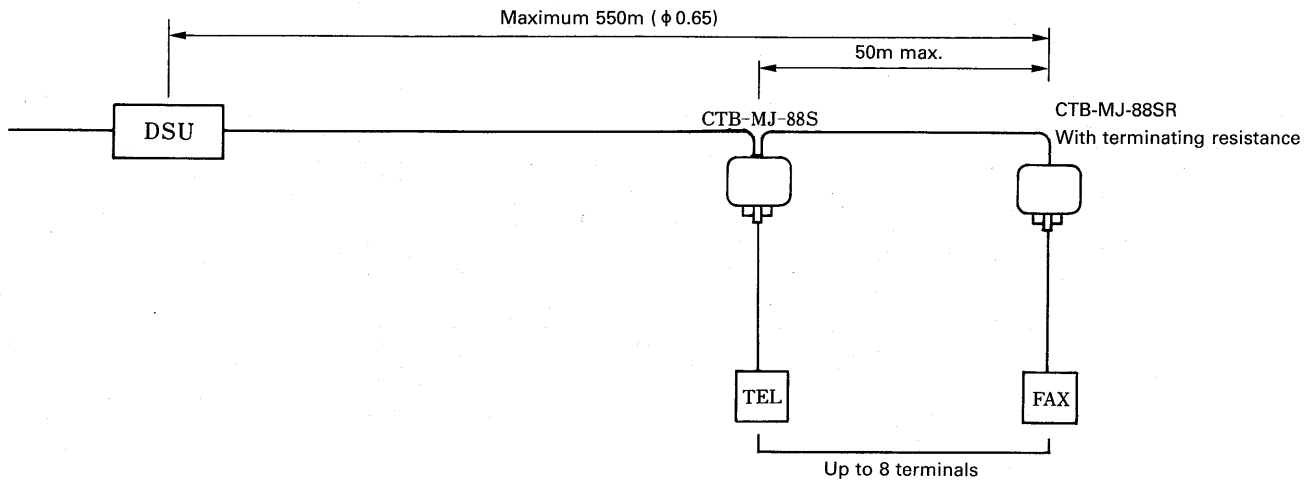
TM · CTB RECTANGULAR CONNECTORS

◆ ISDN TERMINATION

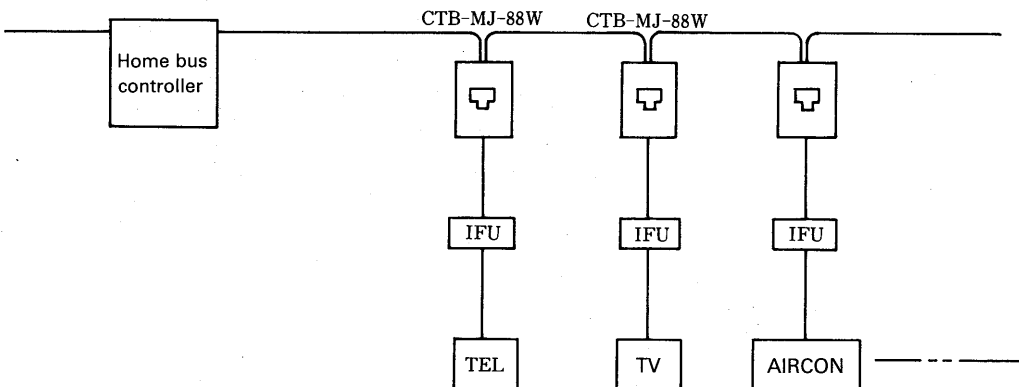
● Terminating a short distance bus (example)



● Terminating a long distance bus (example)



◆ Terminating HBS (example)



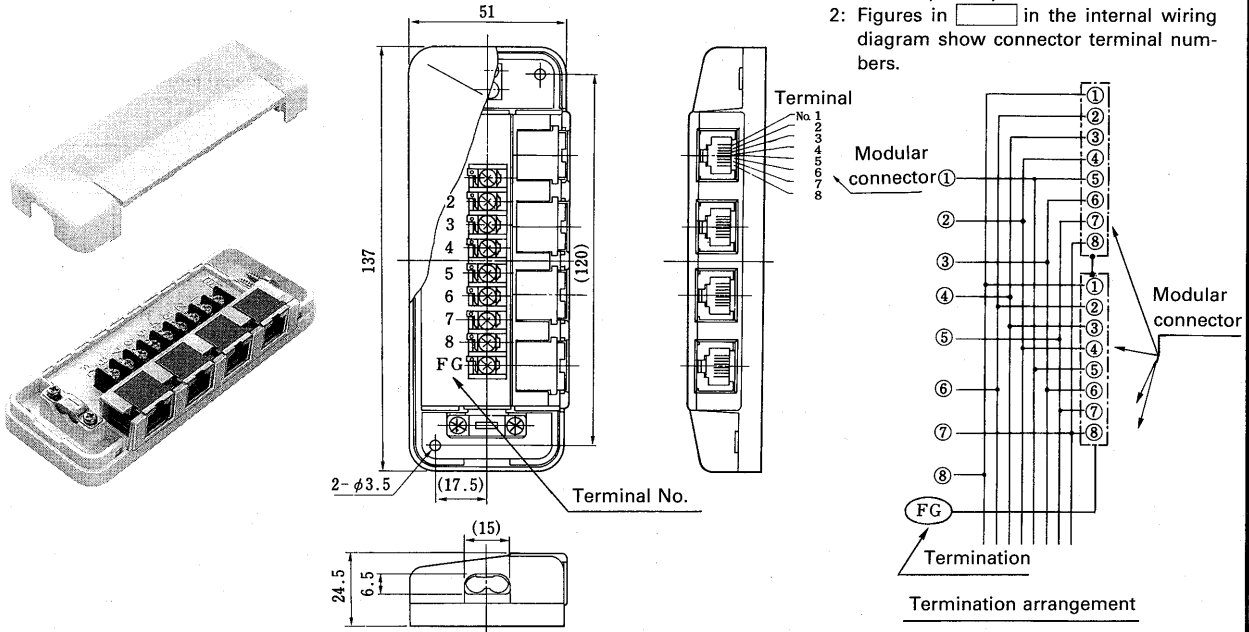
TM · CTB RECTANGULAR CONNECTORS

■ ISDN TERMINATING CONNECTORS

Modular connector (quadruplet)
 (Termination side: Screwed terminals)
 Cable : $\phi 0.4$ to 0.65

| No. of contacts | HRS No. | Product No. |
|-----------------|--------------|-------------|
| 8 | CL223-0084-0 | CTB-4MJ-88S |

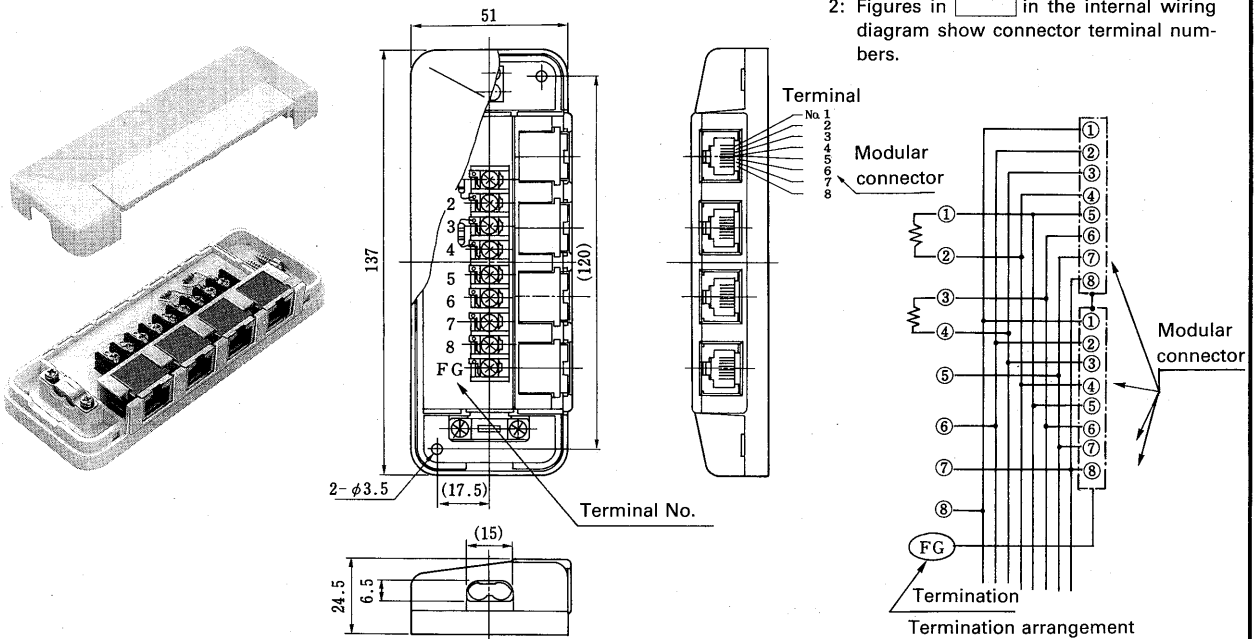
Note 1: Dust covers and magnets for modular connectors are optional. Please order them separately.
 2: Figures in in the internal wiring diagram show connector terminal numbers.



Modular connector (quadruplet)
 (Termination side: Screwed terminals)
 Cable : $\phi 0.4$ to 0.65
 With terminating resistance

| No. of contacts | HRS No. | Product No. |
|-----------------|--------------|--------------|
| 8 | CL223-0086-6 | CTB-4MJ-88SR |

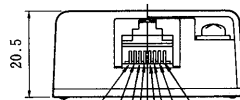
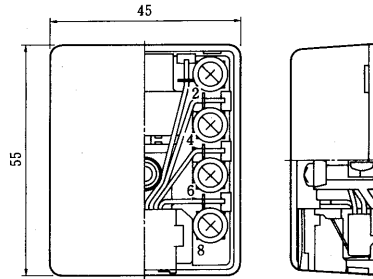
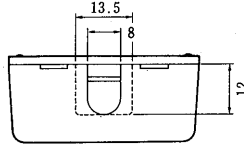
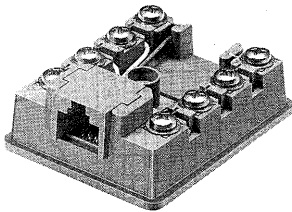
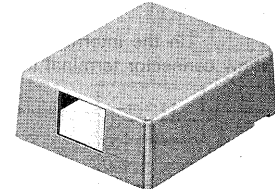
Note 1: Dust covers and magnets for modular connectors are optional. Please order them separately.
 2: Figures in in the internal wiring diagram show connector terminal numbers.



Modular connector

(Termination side: Screwed terminals)

Cable : ϕ 0.4 to 0.65

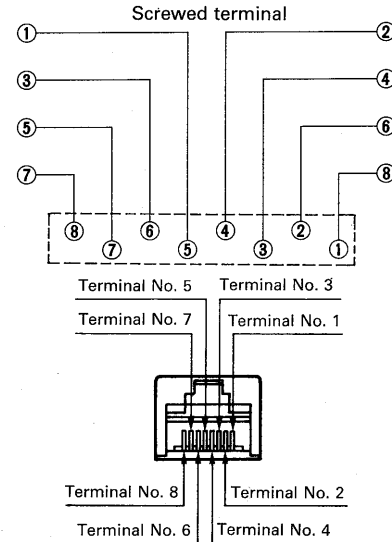


Brown (t. no. 8) Orange (t. no. 1)
 White (t. no. 7) Blue (t. no. 2)
 Yellow (t. on. 6) Black (t. no. 3)
 Green (t. no. 5) Red (t. no. 4)

| No. of contacts | HRS No. | Product No. |
|-----------------|--------------|-------------|
| 8 | CL223-0087-9 | CTB-MJ-88S |

Note 1: Dust covers and magnets for modular connectors are optional. Please order them separately.

2: Figures in in the internal wiring diagram show connector terminal numbers.

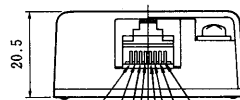
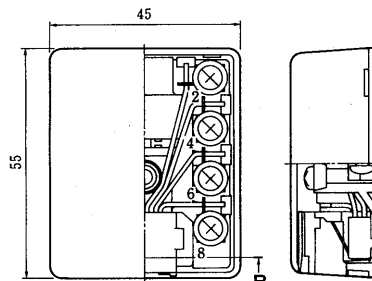
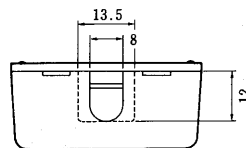
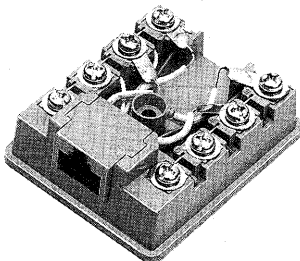
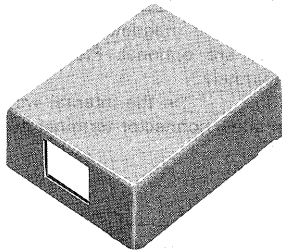


Modular connector

(Termination side: Screwed terminals)

Cable : ϕ 0.4 to 0.65

With terminating resistor

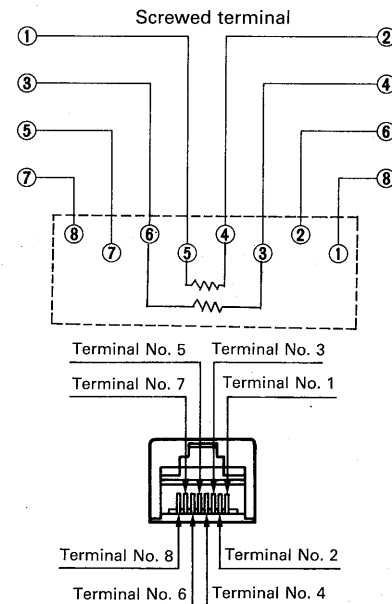


Brown (to. no. 8) Orange (t. no. 1)
 White (t. no. 7) Blue (t. no. 2)
 Yellow (t. on. 6) Black (t. no. 3)
 Green (t. no. 5) Red (t. no. 4)

| No. of contacts | HRS No. | Product No. |
|-----------------|--------------|-------------|
| 8 | CL223-0088-1 | CTB-MJ-88SR |

Note 1: Dust covers and magnets for modular connectors are optional. Please order them separately.

2: Figures in in the internal wiring diagram show connector terminal numbers.



TM · CTB RECTANGULAR CONNECTORS

Modular connector

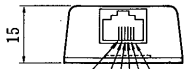
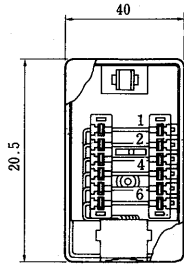
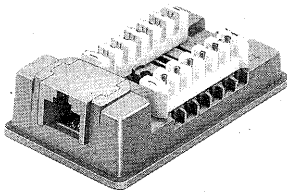
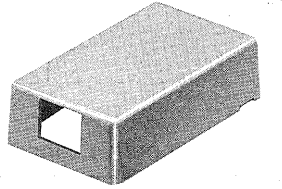
(Termination side: Insulation displacement terminal)

Cable : ϕ 0.4 to 0.65

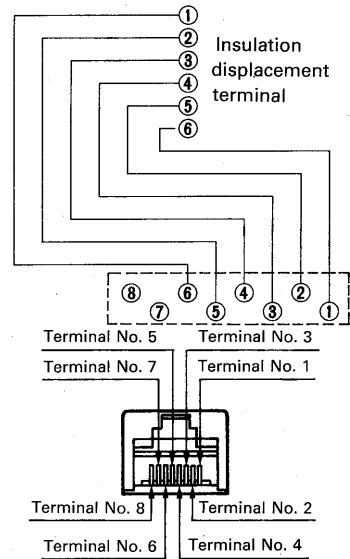
| No. of contacts | HRS No. | Product No. |
|-----------------|--------------|--------------|
| 6 | CL223-0049-0 | CTB-86TB2-M1 |

Note 1: Dust covers and magnets for modular connectors are optional. Please order them separately.

2: Figures in in the internal wiring diagram show connector terminal numbers.

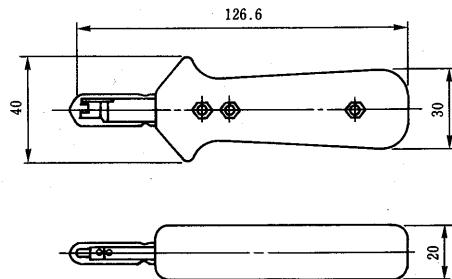
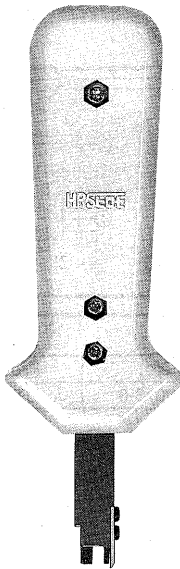


Yellow (t. no. 6) Orange (t. no. 1)
 Green (t. no. 5) Blue (t. no. 2)
 Red (t. no. 4) Black (t. no. 3)



Tools for Cable Termination

Use the following tool when terminating the CTB-86TB2-M1 connectors.

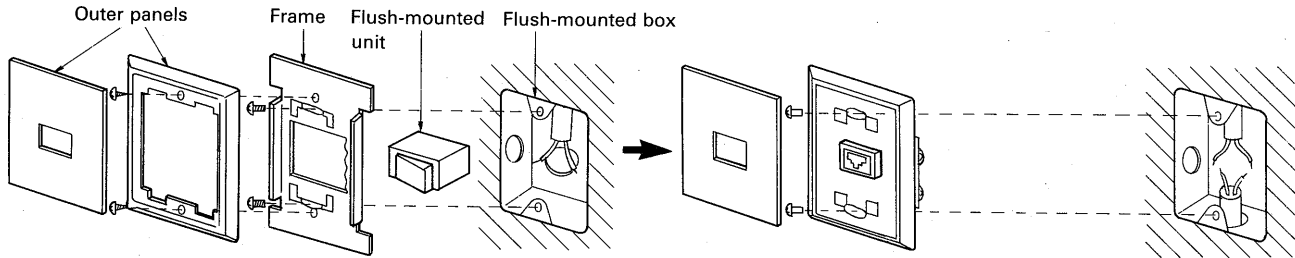


| HRS No. | Product No. |
|--------------|---------------------------|
| CL250-0010-7 | CTB wiring tool |
| CL250-0011-0 | Blade for CTB wiring tool |

TM · CTB RECTANGULAR CONNECTORS

■ HBS TERMINATING CONNECTORS

Comparison between the installation of this connector and conventional general panel work



An example of general panel work

An example of the installation of this connector

Modular connector
(Termination side: Screwed terminals)
Cable : ϕ 0.4 to 0.65

| No. of contacts | HRS No. | Product No. |
|-----------------|--------------|-------------|
| 8 | CL223-0077-5 | CTB-MJ-88W |

Note 1: Figures in in the internal wiring diagram show connector terminal numbers.

| HRS No. | Product No. |
|--------------|-------------|
| CL223-0078-8 | CTB-MJ-8C |