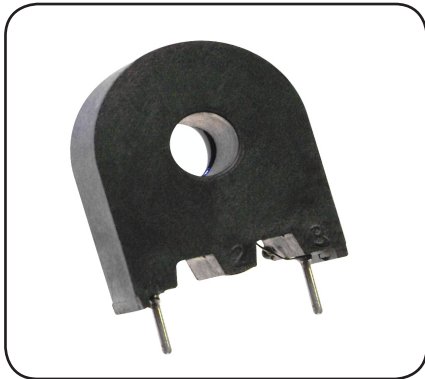




Current Sense Transformer

CT03 Series



Features

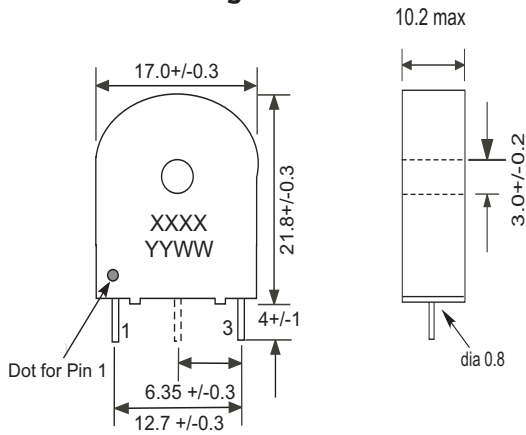
- Encapsulated to Meet UL1950 and EN60950 Creepage/Clearance spacing
- Available in Unipolar and Bipolar configurations
- Meets UL Class B Insulation System

Applications

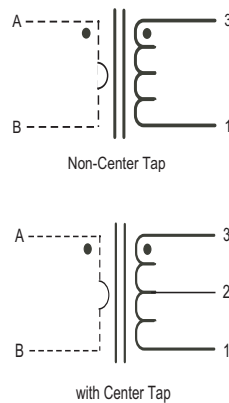
- Feedback Control
- Overload Protection
- Detecting Load Drop or Shutdown

Packaging: Tray=144 pieces, Box=12 Trays, Box=1728 pieces

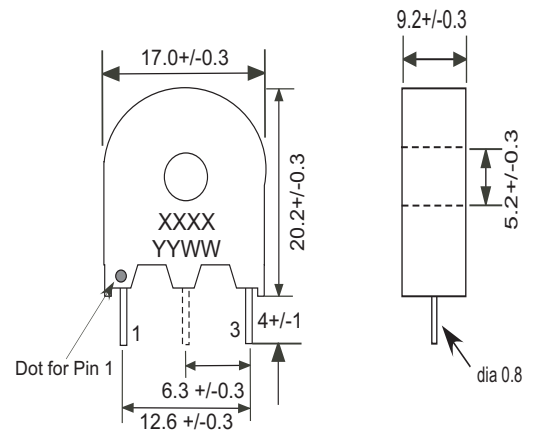
Mechanical - Figure A



Schematic



Mechanical - Figure B



unit: mm

Electrical Specifications

| Part Number | Turns Ratio | Ls ¹ (mH, min) | Frequency (KHz) | Rs (Ω, max.) | Terminating ⁴ Resistor (Ω) | Hi-Pot Vac |
|--------------|-------------|---------------------------|-----------------|--------------|---------------------------------------|------------|
| CT03-050-B_ | 1:50 | 5 | 17.5 | 0.6 | 50 | 3750 |
| CT03-100-B_ | 1:100 | 20 | 17.5 | 1.3 | 100 | 3750 |
| CT03-200-B_ | 1:200 | 80 | 17.5 | 4.5 | 200 | 3750 |
| CT03-750-A_ | 1:750 | 1125 | 1.0 | 34.0 | 750 | 3750 |
| CT03-1000-A_ | 1:1000 | 1500 | 1.0 | 57.0 | 1000 | 3750 |

1. Electrical specifications at 25°C.
2. Operating temperature range: -40°C to +130°C.
3. Meets UL 94V-0.
4. Terminating resistor for 1V out with 1A flowing through primary.



Add designator to end of p/n
 C = Center Tap Secondary
 N = Non-Center Tap Secondary