

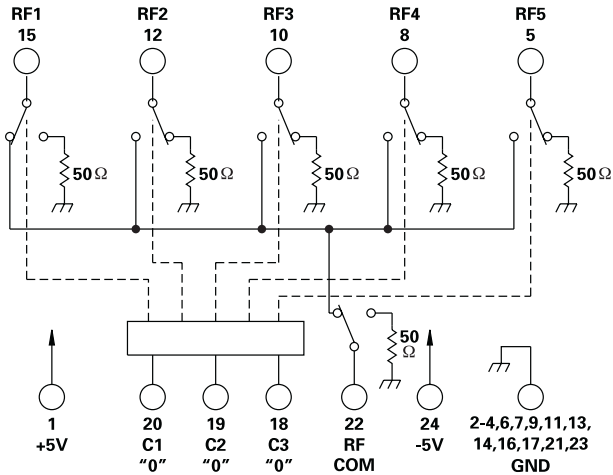
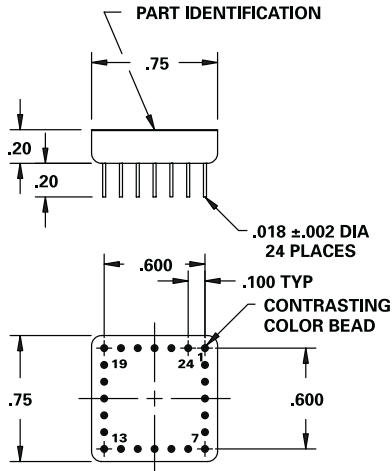
MODEL NUMBER
CSW52216

Switch SP5T

FEATURES

- 1-2800 MHz
- 65 dB Isolation
- +40 dB 3rd Order Intercept Point

SP5T



LOGIC TABLE				
CONTROL INPUT			RF COM	
C3	C2	C1	T0	
0	0	0		RF1
0	0	1		RF2
0	1	0		RF3
0	1	1		RF4
1	0	0		RF5
1	0	1		ALL OFF - NO TERM@ COMMON PORT
1	1	0		ALL OFF - NO TERM@ COMMON PORT
1	1	1		ALL OFF - COMMON PORT TERMINATED

GUARANTEED PERFORMANCE

Parameter	Min	Typ	Max	Units	Conditions
Operating Frequency	1		2800	MHz	
DC Current			10	mA	At +5 VDC Supply
			10	mA	At -5 VDC Supply
Control Type			TTL		See Table
Control Current			±1	µA	VIH = +2.7 V
			±1	µA	VIL = +0.5 V
Insertion Loss			2	dB	1 - 700 MHz
			3	dB	700 - 2800 MHz
Isolation	60	65		dB	
VSWR		Thru	1.4/1		
Impedance			50	OHMS	
Switching Speed			1	µSec	50% TTL to 90% / 10% RF
Transition (Rise/Fall) Time			30	nSec	10% / 90% or 90% / 10%
Switching (Video) Transients			50	mV	Peak Value
Intercept Points	2nd	+70		dBm	
	3rd	+40		dBm	
RF Power			+13	dBm	1 - 300 MHz
	Operate		+17	dBm	300 - 2800 MHz
	For 0.1 dB Comp		+27	dBm	
	No Damage				
Operating Temperature	-20	+25	+70	°C	TA
Storage Temperature	-45		+85	°C	TA

