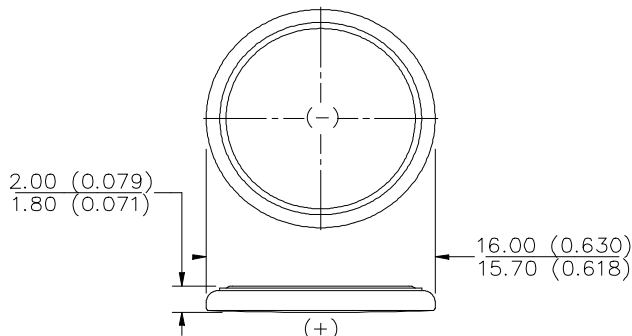


EVEREADY BATTERY CO. 1-800-383-7323 / USA  
 Internet: www.energizer.com 1-800-383-7323 / CANADA  
 + 44 (0) 208 920 2306 / EUROPE

## ENERGIZER NO. CR1620



Industry Standard Dimensions in mm (inches)

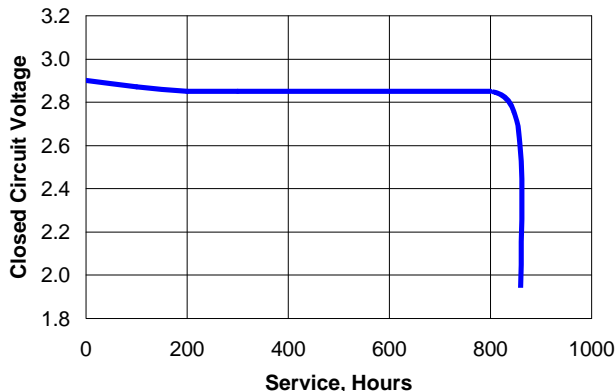


**Chemical System:** Lithium / Manganese Dioxide (Li/MnO<sub>2</sub>)

**Designation:** ANSI / NEDA-5009LC, IEC-CR1620  
**Battery Voltage:** 3.0 Volts  
**Average Weight:** 1.4 grams (0.05 oz.)  
**Volume:** 0.4 cubic centimeters (0.02 cubic inch)  
**Average Capacity:** 79 mAh to 2.0 volts  
 (Rated at 30k ohms continuous at 21°C)  
**Maximum Reverse Charge Current:** 1 microampere  
**Energy Density:** 164 milliwatt hr/g, 573 milliwatt hr/cc

### TYPICAL DISCHARGE CURVE

Simulated Test @ 21°C (70°F)



### Simulated Application Test Estimated Average Service at 21°C (70°F)

Schedule:	Typical Drains at 2.9V (microamperes)	Load (ohms)	Cutoff Voltage
			2.0V
24 hours/day	97	30,000	851 Hours

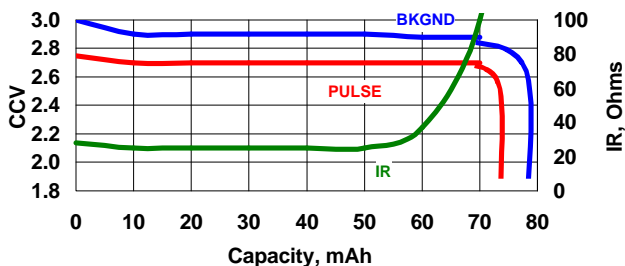
### INTERNAL RESISTANCE CHARACTERISTICS

#### Pulse Test @ 21°C (70°F)

**Schedule:** Continuous for background  
 2 seconds X 12 times/day for pulse  
**Typical Background Drain @ 2.9V (milliamps):**  
 0.097 milliampères  
**Typical Pulse Drain @ 2.6V (milliamps):**  
 6.80 milliampères  
**Background Load:**  
 30k ohms  
**Pulse Load:**  
 400 ohms

### IR CHARACTERISTICS

Pulse Test @ 21°C (70°F)



### Important Notice

This data sheet contains information specific to batteries manufactured at the time of its publication.

**Contents herein do not constitute a warranty.**

Copyright © Eveready Battery Co. Inc. - All Rights Reserved