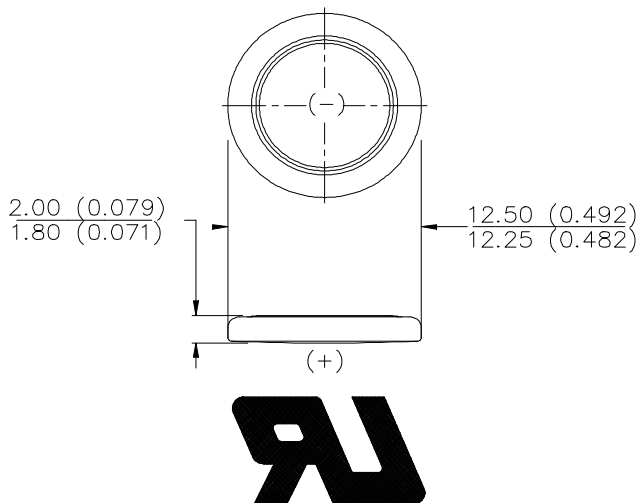


ENERGIZER NO. CR1220



Industry Standard Dimensions in mm (inches)



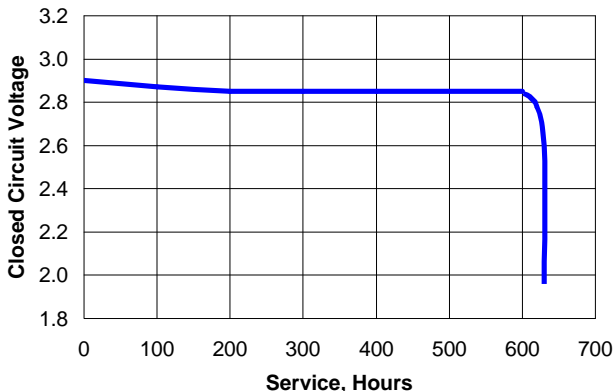
THIS BATTERY HAS UNDERWRITERS LABORATORIES COMPONENT RECOGNITION

Chemical System: Lithium / Manganese Dioxide (Li/MnO₂)

Designation: ANSI / NEDA-5012LC, IEC-CR1220
Battery Voltage: 3.0 Volts
Average Weight: 0.76 grams (0.03 oz.)
Volume: 0.25 cubic centimeters (0.02 cubic inch)
Average Capacity: 40 mAh to 2.0 volts
 (Rated at 45k ohms continuous at 21°C)
Maximum Reverse Charge Current: 1 microampere
Energy Density: 153 milliwatt hr/g, 464 milliwatt hr/cc

TYPICAL DISCHARGE CURVE

Simulated Test @ 21°C (70°F)



Simulated Application Test Estimated Average Service at 21°C (70°F)

Schedule:	Typical Drains at 2.9V (microamperes)	Load (ohms)	Cutoff Voltage
			2.0V
24 hours/day	64	45,000	628 Hours

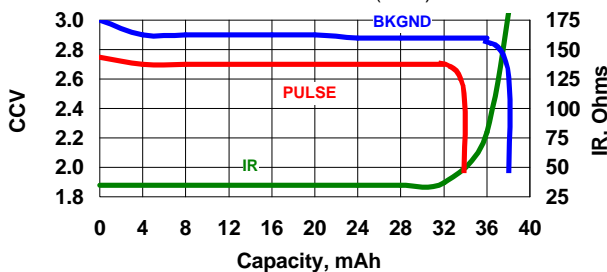
INTERNAL RESISTANCE CHARACTERISTICS

Pulse Test @ 21°C (70°F)

Schedule: Continuous for background
 2 seconds X 12 times/day for pulse
Typical Background Drain @ 2.9V (milliamps):
 0.064 milliamperes
Typical Pulse Drain @ 2.6V (milliamps):
 6.30 milliamperes
Background Load:
 45k ohms
Pulse Load:
 400 ohms

IR CHARACTERISTICS

Pulse Test @ 21°C (70°F)



Important Notice

This data sheet contains information specific to batteries manufactured at the time of its publication.

Contents herein do not constitute a warranty.

Copyright © Eveready Battery Co. Inc. - All Rights Reserved