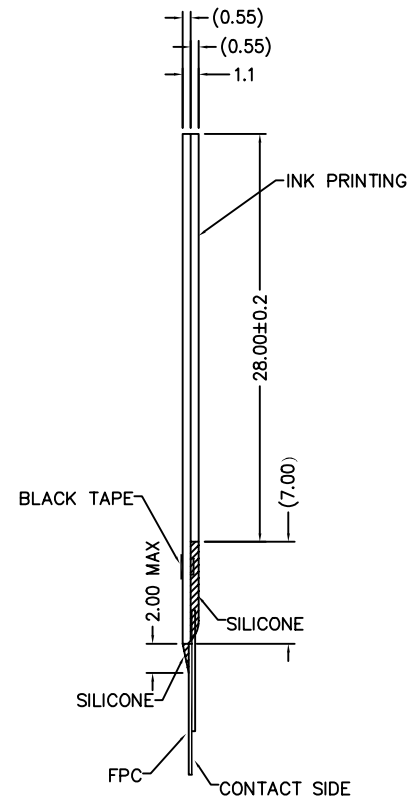
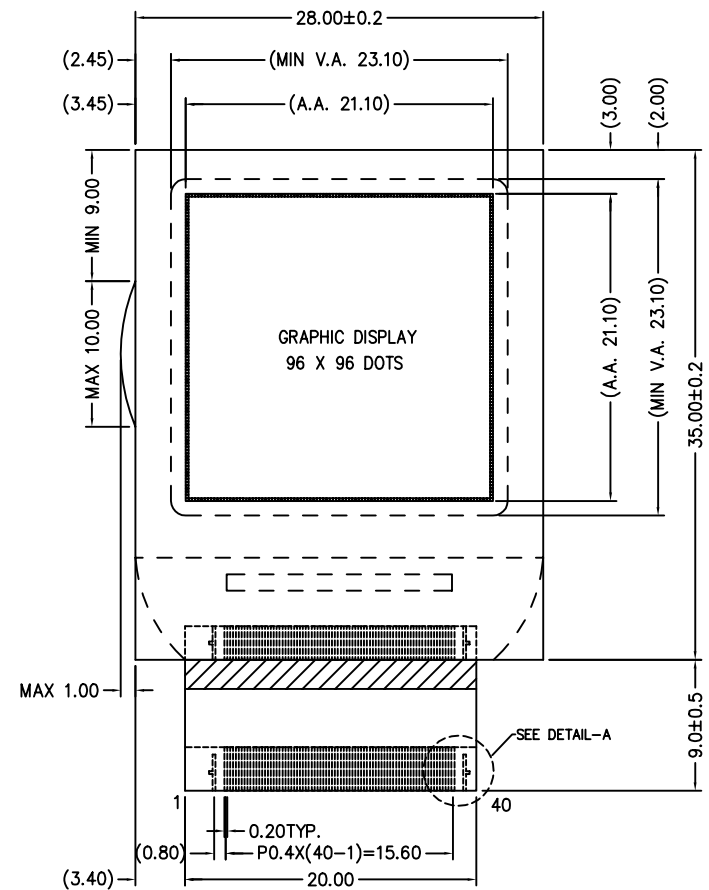
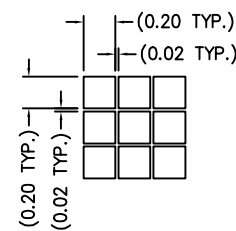
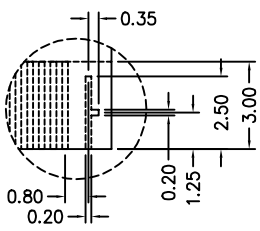
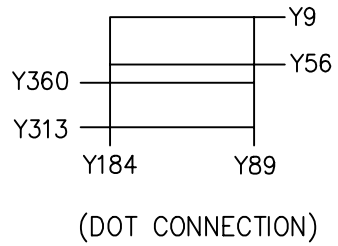


(DOT SIZE FOR CUSTOMER REFERENCE)



ISSUE	AMENDMENT	DATE
1	UPDATE INFORMATION	06.07.12
2	UPDATE INFORMATION	06.09.20



DETAIL-A

1	2	3	4	5	6	7	8	9	10
NC	NC	NC	NC	NC	NC	V0R	V1R	V2R	V3R
11	12	13	14	15	16	17	18	19	20
V4R	V5R	DI7	DI6	DI5	DI4	DI3	DI2	DI1	DI0
21	22	23	24	25	26	27	28	29	30
VSS	VDD	FP	LP	FR	XCK	MD	DISPOFF	V5L	V4L
31	32	33	34	35	36	37	38	39	40
V3L	V2L	V1L	V0L	NC	NC	NC	NC	NC	NC

DISPLAY TYPE	BCD, BLUE/WHITE
DISPLAY RESOLUTION	96 X 96 DOTS
VIEWING ANGLE	ALL ANGLE
MUX RATIO	BCD DRIVING SCHEME
LOGIC VOLTAGE (V)	3V
LCD DRIVING VOLTAGE	TBD
OPERATION TEMPERATURE	-20°C to +50°C
STORAGE TEMPERATURE	-30°C to +70°C
REMARK	

TITLE: PRELIMINARY SPECIFICATION OF MODULE
PROJECT NO: COG-BCD9696

TOLERANCE UNLESS OTHERWISE SPECIFIED:	X.X ±0.3
	X.XX ±0.1
DIMENSIONS IN MM	ANGULAR: ± 1°
MATERIAL: N/A	FINISH: N/A
SCALE: DO NOT ON SCALE	OVERALL THK: N/A

THIRD ANGLE PROJECTION			
	NAME	SIGN	DATE
DRAWN:	CHAN KAM FAI		06.09.20
CHECKED:	DANIEL POON		
APPROVED:	K.P.HO		

ITEM NO.: COG-BCD9696-01
 DESCRIPTION: COG-BCD9696
 FILE NO: COG COG-BCD9696/REV: 2
 SHEET 1 OF 1

NOTES:
 1 ◇ : SPECIAL CHARACTERISTIC
 2 + : SAFETY CHARACTERISTIC
 3 ∇ : CRITICAL DIMENSION
 4 (..) : REFERENCE DIMENSION



VARITRONIX LIMITED