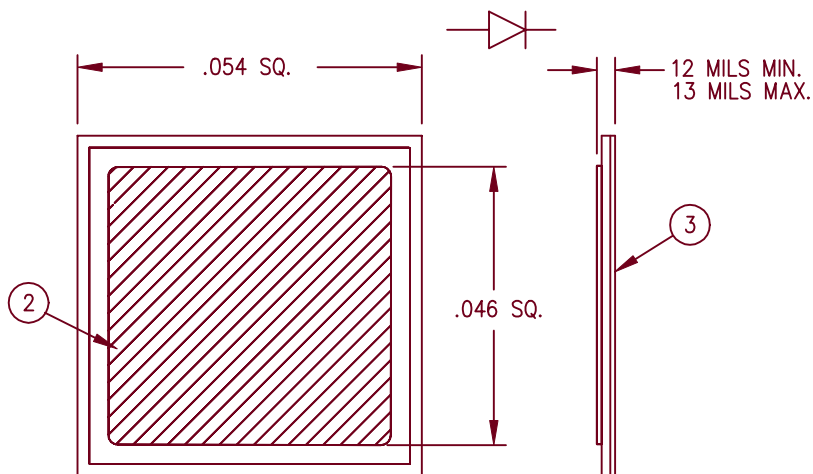


2 Amp Schottky Rectifier Die CH054S



1. Lot Acceptance testing per customer specifications. Contact factory.
MIL-PRF-19500 class K equivalent available upon request.

- ② Anode
- ③ Cathode

- Schottky Barrier Rectifier
- Guard Ring Protected
- Low Forward Voltage
- Voltages up to 100V
- LAT testing available (note 1)
- Cells with moly discs available

Electrical Characteristics

| | <u>Reverse Voltage</u> | <u>Max. T_J</u> | <u>Typ. V_f @ 2A</u> |
|-------------|------------------------|---------------------------|--------------------------------|
| CH054S0050* | 50 | 150°C | 0.58V |
| CH054S0060* | 60 | 150°C | 0.63V |
| CH054S0100* | 100 | 175°C | 0.84V |

* Standard contact metal is Silver. Aluminum anode metal is available on request.
Contact factory to specify non-standard contact metal.

Thermal and Mechanical Characteristics

| | |
|-------------------------------------|------------------------|
| Max. Allowable Storage Temperature | -55°C to 175°C |
| Typical thermal resistance | 15-22°C/Watt |
| Surge current at max T _J | 100A @ 8.3ms half sine |

NOTE: Thermal resistance (R_{ΘJC}), forward voltage drop, and surge current (I_{TSM}) ratings are heavily dependent on die to heat sink assembly methods.

7-30-01 Rev. IR