

SP2T

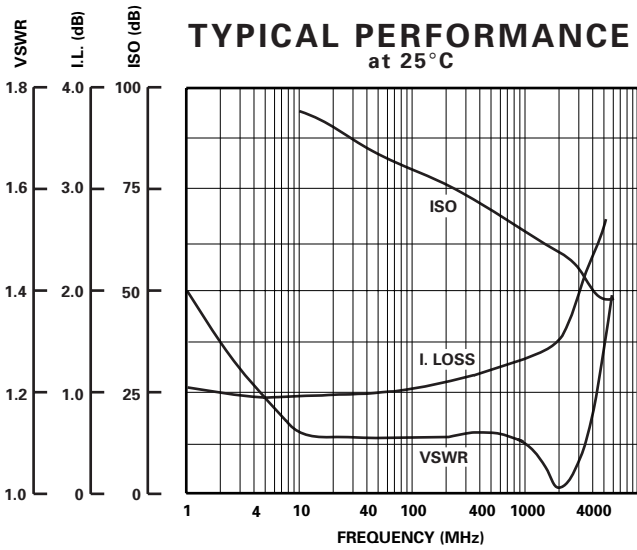
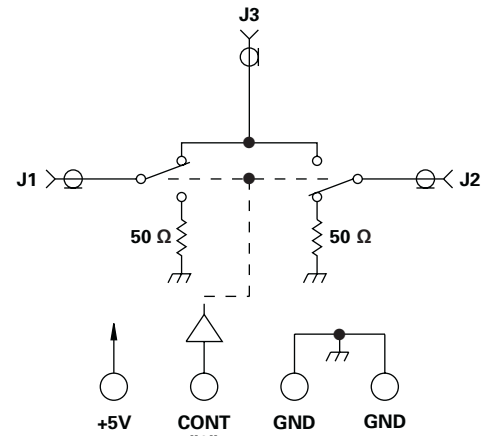
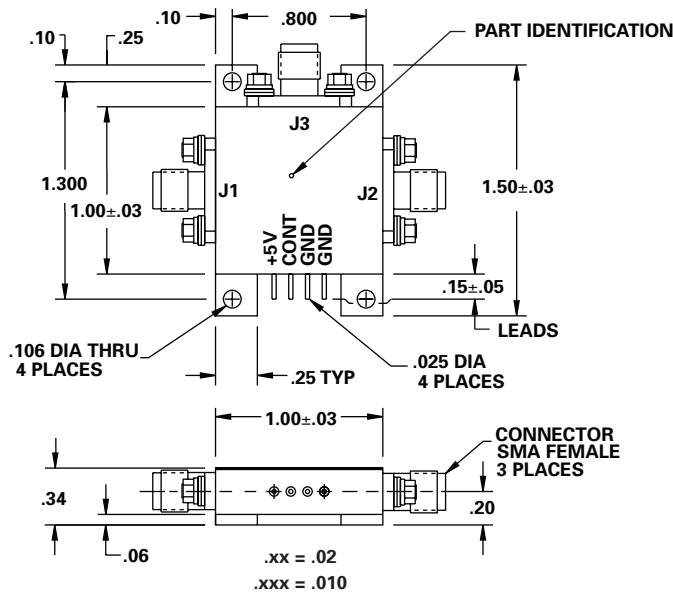
FEATURES

- 5 - 4000 MHz
- 4 nSec Transition Time
- 27 nSec Switching Speed
- TTL Driver
- Non-Reflective
- Replaceable SMA Connectors



MODEL NO. CDS0882

GaAs SP2T



GUARANTEED PERFORMANCE

Parameter	Min	Typ	Max	Units	Conditions
Operating Frequency	5		4000	MHz	
DC Current		1	3	mA	At +5 VDC Supply
Control Type		TTL			1 Line Logic "0" = J3 - J1 Logic "1" = J3 - J2
Control Current		0	±40	µA	V _{IH} = +3.0V V _{IL} = +0.5V
Insertion Loss		1.0	1.5	dB	5 - 100 MHz
		1.2	1.8	dB	100 - 1000 MHz
		1.4	2.1	dB	1000 - 2000 MHz
		2.1	3.2	dB	2000 - 4000 MHz
Isolation	70	79		dB	5 - 100 MHz
	60	69		dB	100 - 500 MHz
	55	64		dB	500 - 1000 MHz
	45	53		dB	1000 - 2000 MHz
	35	44		dB	2000 - 4000 MHz
VSWR		1.2/1	1.4/1		Thru Termination
		1.2/1	1.4/1		
Impedance		50		OHMS	
Switching Speed		27	35	nSEC	50% TTL to 90% / 10% RF
Transition (Rise/Fall) Time		4		nSEC	90% / 10% or 10% / 90% RF
Switching (Video) Transients		80		mV	Peak Value
Intercept Points	2nd	+70		dBm	214 MHz / 147 MHz
	3rd	+46		dBm	107 MHz / 127 MHz
RF Power	Operate	+9	+5	dBm	0.1 dB Comp. Below 100 MHz
		+17	+13	dBm	0.1 dB Comp. Above 100 MHz
	No Damage		+27	dBm	
Operating Temperature	-55	+25	+125	°C	TA