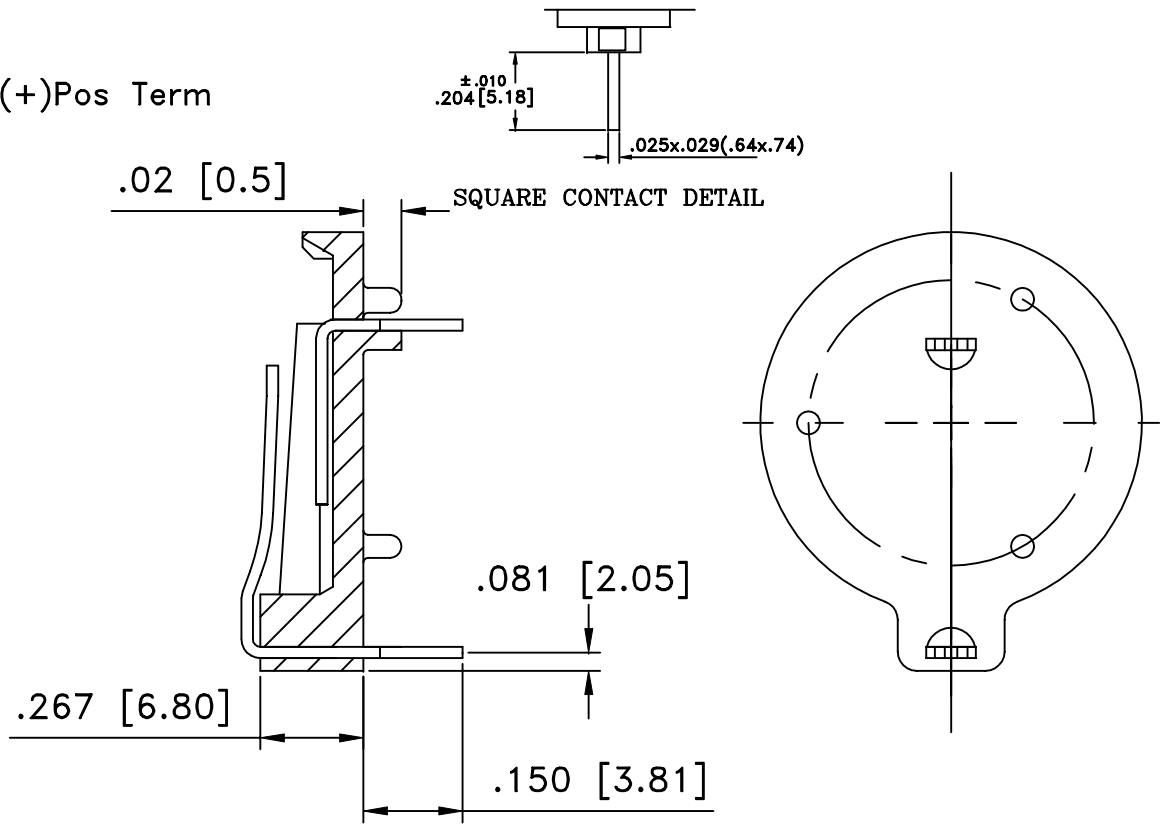
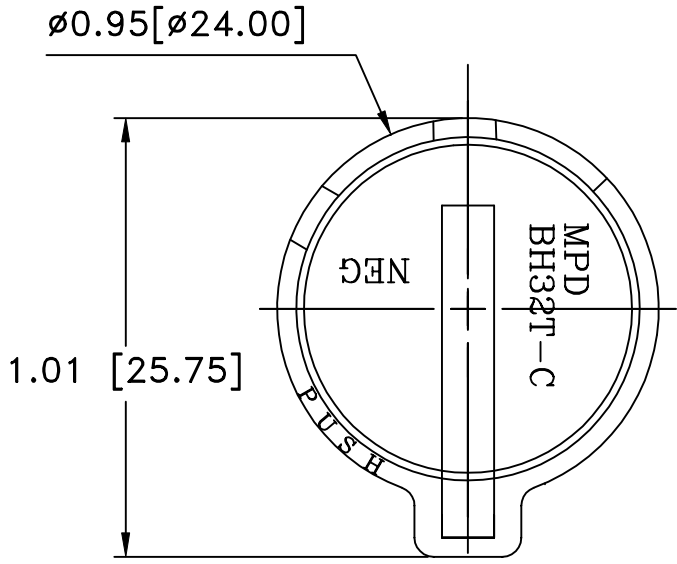
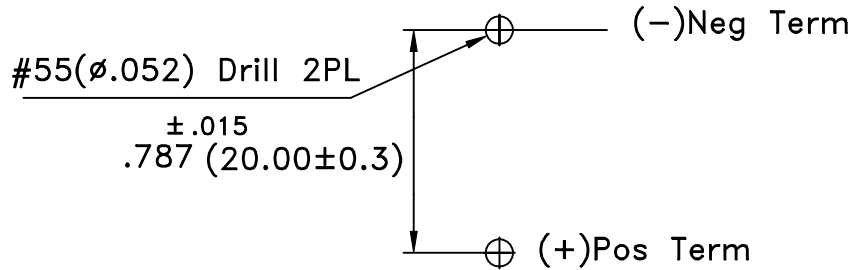



PCB LAYOUT

Date	SYM	REVISION RECORD	AUTH	DR.	CK.



SPECIFICATIONS

- *Holder material- Black PBT
- *Flammability rating-UL94V-0
- *Contacts :
 Positive: PHOS-BRONZE, Nickel Plated 0.0005" thick
 Negative: spring tempered Stainless Steel, Nickel Pltd .0005' thk

Tolerance (Except as noted)	 Memory protection Devices, Inc 200 Broad Hollow Road, Farmingdale, New York 11735	Scale	Drawn By B.S.
decimal $\pm .5$ (.020)		Approved By T.B.	
Fractional $\pm .8$ (.030)	Title CR2032 OR BR2032 BATTERY		
Angular $\pm 3^\circ$	Date 02/02/02	Drawing Number BH32T-C	