

Structure : Silicon Monolithic Integrated Circuit

Product : 6ch Function Switch

Type : **BD3843FS**

- Feature :
- (1) For 2nd room entertainment.
 - (2) For 2nd source recording.

Absolute Maximum Ratings (Ta=25°C)

Parameter	Symbol	Limits	Unit
Power Supply Voltage	VCC	7.5 ※1	V
	VEE	-7.5	
Input Signal Voltage	VIN	VCC+0.3~VEE-0.3	V
Power Dissipation	Pd	800※2	mW
Operating Temperature	Topr	-20~+75	°C
Storage Temperature	Tastg	-55~+125	°C

※1 Please note the case of impression on only VCC side even in the impression voltage range, excessive current may flow and IC may be broken.

Impress VEE and VCC at the same time, or impress VEE side first in impressing power source.

※2 Over Ta = 25°C, derating at the rate of 8mW/°C. When installed on the standard board (size : 70 x 70 x 1.6mm).

Operating Voltage Range

Parameter	Symbol	Limit	Unit
Power Supply Voltage (both power sources)	VCC-GND	4~7.3	V
	VEE-GND	-4~-7.3	
Power Supply Voltage (single power source)	VCC- VEE	8~14.6	V

(It must function normally at Ta = 25°C)

Application example

Note that ROHM cannot provide adequate confirmation of patents.

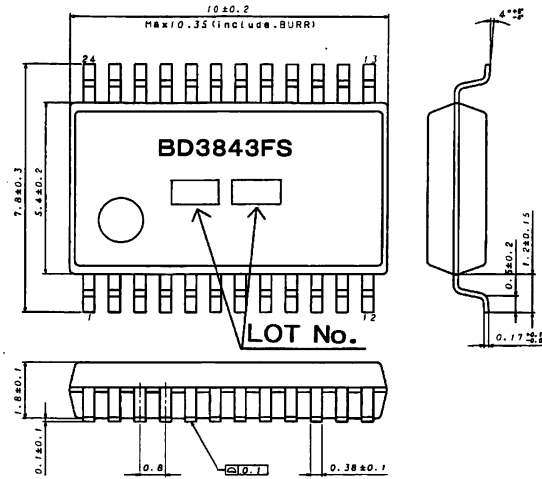
The product described in this specification is designed to be used with ordinary electronic equipment or devices (such as audio-visual equipment, office-automation equipment, communications devices, electrical appliances, and electronic toys). Should you intend to use this product with equipment or devices which require an extremely high level of reliability and the malfunction of which would directly endanger human life (such as medical instruments, transportation equipment, aerospace machinery, nuclear-reactor controllers, fuel controllers and other safety devices), please be sure to consult with our sales representative in advance.

Electrical characteristics

Ta=25°C, VCC=7V, VEE=7V, f=1kHz, Vin=1Vrms, RL=10kΩ, Rg=600Ω, unless otherwise noted.

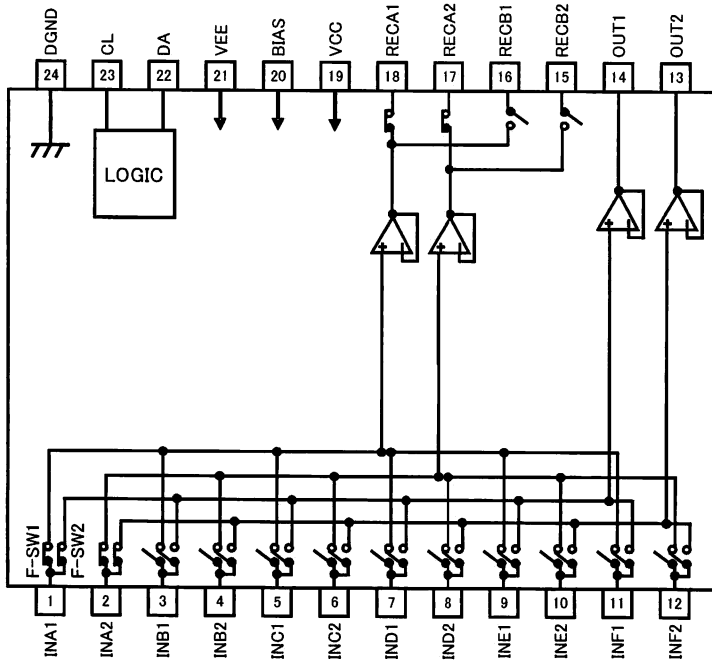
	Symbol	Parameter	Limit			Unit	Conditions
			Min.	Typ.	Max.		
	IQ	Circuit current	—	3	10	mA	No signal
Output	Gv1	Output voltage gain 1ch	-2	0	2	dB	Measure : Pin14
	Gv2	Output voltage gain 2ch	-2	0	2	dB	Measure : Pin13
	THD1	Total harmonic distortion ratio 1ch	—	0.004	0.05	%	Measure : Pin14 BW=400~30kHz
	THD2	Total harmonic distortion ratio 2ch	—	0.004	0.05	%	Measure : Pin13 BW=400~30kHz
	Vomax1	Maximum output voltage 1ch	3.4	4.2	—	Vrms	Measure : Pin14 THD=1%
	Vomax2	Maximum output voltage 2ch	3.4	4.2	—	Vrms	Measure : Pin13 THD=1%
	Vno1	Output noise voltage 1ch	—	1	5	μVrms	Measure : Pin14 Rg=0Ω, BW=IHF-A
	Vno2	Output noise voltage 2ch	—	1	5	μVrms	Measure : Pin13 Rg=0Ω, BW=IHF-A
	CTC12	Cross-talk between channels 1ch→2ch	—	-95	-80	dB	Measure : Pin13(OUT2), Rg=0Ω, BW=IHF-A Reference: Pin14(OUT1)=1Vrms
	CTC21	Cross-talk between channels 2ch→1ch	—	-95	-80	dB	Measure : Pin14(OUT1), Rg=0Ω, BW=IHF-A Reference: Pin13(OUT2)=1Vrms
	CTS1	Cross-talk between selectors 1ch	—	-95	-80	dB	Measure : Pin14 Rg=0Ω, BW=IHF-A
	CTS2	Cross-talk between selectors 2ch	—	-95	-80	dB	Measure : Pin13 Rg=0Ω, BW=IHF-A
REC output	GVR1	R voltage gain 1ch	-2	0	2	dB	RL=47kΩ, Measure : Pin16,18
	GVR2	R voltage gain 2ch	-2	0	2	dB	RL=47kΩ, Measure : Pin15,17
	THDR1	R Total harmonic distortion ratio 1ch	—	0.01	0.09	%	RL=47kΩ, Measure : Pin16,18 BW=400~30kHz
	THDR2	R Total harmonic distortion ratio 2ch	—	0.01	0.09	%	RL=47kΩ, Measure : Pin15,17 BW=400~30kHz
	VnoR1	R output noise voltage 1ch	—	1	5	μVms	Measure : Pin16,18 Rg=0Ω, BW=IHF-A
	VnoR2	R output noise voltage 2ch	—	1	5	μVms	Measure : Pin15,17 Rg=0Ω, BW=IHF-A
	RoutR1	R output impedance 1ch	—	50	100	Ω	Measure : Pin16,18
	RoutR2	R output impedance 2ch	—	50	100	Ω	Measure : Pin15,17

Outline dimension • Marking dimension



SSOP – A24 (Unit : mm)

Block Diagram



* F-SW1: INPUT FUNCTION1
F-SW2: INPUT FUNCTION2

Pin number•Pin name

Pin number	Pin name	Pin number	Pin name
1	INA1	13	OUT2
2	INA2	14	OUT1
3	INB1	15	RECB2
4	INB2	16	RECB1
5	INC1	17	RECA2
6	INC2	18	RECA1
7	IND1	19	VCC
8	IND2	20	BIAS
9	INE1	21	VEE
10	INE2	22	DA
11	INF1	23	CL
12	INF2	24	DGND

Cautions on use

1. Voltage range and action temperature range

Circuit function actions are guaranteed within the action voltage range and the action temperature range. However, the specific values of the electrical characteristics are guaranteed under the specified conditions of the electrical characteristics. Therefore, carry out set calculations in sufficient consideration of IC characteristic fluctuations.

2. Serial control

Carry out wiring and pattern wiring of CL terminal and DA terminal so that they should not interfere with the analog signal system line.

3. At Power ON/OFF

When the power is turned ON/OFF, a shock sound comes out, therefore, activate MUTE on set. In impressing power source, impress VEE and VCC at the same time, or impress VEE side first. If the VCC side is started first, excessive current flows between VCC and VEE.

4. Function switching

When functions are switched, activate MUTE on set.

Notes

- No technical content pages of this document may be reproduced in any form or transmitted by any means without prior permission of ROHM CO.,LTD.
- The contents described herein are subject to change without notice. The specifications for the product described in this document are for reference only. Upon actual use, therefore, please request that specifications to be separately delivered.
- Application circuit diagrams and circuit constants contained herein are shown as examples of standard use and operation. Please pay careful attention to the peripheral conditions when designing circuits and deciding upon circuit constants in the set.
- Any data, including, but not limited to application circuit diagrams information, described herein are intended only as illustrations of such devices and not as the specifications for such devices. ROHM CO.,LTD. disclaims any warranty that any use of such devices shall be free from infringement of any third party's intellectual property rights or other proprietary rights, and further, assumes no liability of whatsoever nature in the event of any such infringement, or arising from or connected with or related to the use of such devices.
- Upon the sale of any such devices, other than for buyer's right to use such devices itself, resell or otherwise dispose of the same, no express or implied right or license to practice or commercially exploit any intellectual property rights or other proprietary rights owned or controlled by
- ROHM CO., LTD. is granted to any such buyer.
- Products listed in this document are no antiradiation design.

The products listed in this document are designed to be used with ordinary electronic equipment or devices (such as audio visual equipment, office-automation equipment, communications devices, electrical appliances and electronic toys).

Should you intend to use these products with equipment or devices which require an extremely high level of reliability and the malfunction of which would directly endanger human life (such as medical instruments, transportation equipment, aerospace machinery, nuclear-reactor controllers, fuel controllers and other safety devices), please be sure to consult with our sales representative in advance.

About Export Control Order in Japan

Products described herein are the objects of controlled goods in Annex 1 (Item 16) of Export Trade Control Order in Japan.

In case of export from Japan, please confirm if it applies to "objective" criteria or an "informed" (by MITI clause) on the basis of "catch all controls for Non-Proliferation of Weapons of Mass Destruction.

Thank you for your accessing to ROHM product informations.
More detail product informations and catalogs are available,
please contact your nearest sales office.

Please contact our sales offices for details ;

U.S.A / San Diego	TEL : +1(858)625-3630	FAX : +1(858)625-3670
Atlanta	TEL : +1(770)754-5972	FAX : +1(770)754-0691
Dallas	TEL : +1(972)312-8818	FAX : +1(972)312-0330
Germany / Dusseldorf	TEL : +49(2154)9210	FAX : +49(2154)921400
United Kingdom / London	TEL : +44(1)908-282-666	FAX : +44(1)908-282-528
France / Paris	TEL : +33(0)1 56 97 30 60	FAX : +33(0) 1 56 97 30 80
China / Hong Kong	TEL : +852(2)740-6262	FAX : +852(2)375-8971
Shanghai	TEL : +86(21)6279-2727	FAX : +86(21)6247-2066
Dilian	TEL : +86(411)8230-8549	FAX : +86(411)8230-8537
Beijing	TEL : +86(10)8525-2483	FAX : +86(10)8525-2489
Taiwan / Taipei	TEL : +866(2)2500-6956	FAX : +866(2)2503-2869
Korea / Seoul	TEL : +82(2)8182-700	FAX : +82(2)8182-715
Singapore	TEL : +65-6332-2322	FAX : +65-6332-5662
Malaysia / Kuala Lumpur	TEL : +60(3)7958-8355	FAX : +60(3)7958-8377
Philippines / Manila	TEL : +63(2)807-6872	FAX : +63(2)809-1422
Thailand / Bangkok	TEL : +66(2)254-4890	FAX : +66(2)256-6334

Japan /
(Internal Sales)

Tokyo	2-1-1, Yaesu, Chuo-ku, Tokyo 104-0082	TEL : +81(3)5203-0321	FAX : +81(3)5203-0300
Yokohama	2-4-8, Shin Yokohama, Kohoku-ku, Yokohama, Kanagawa 222-8575	TEL : +81(45)476-2131	FAX : +81(45)476-2128
Nagoya	Dainagayo Building 9F 3-28-12, Meieki, Nakamura-ku, Nagoya, Aichi 450-0002	TEL : +81(52)581-8521	FAX : +81(52)561-2173
Kyoto	579-32 Higashi Shiokouji-cho, Karasuma Nishi-iru, Shiokoujidori, Shimogyo-ku, Kyoto 600-8216	TEL : +81(75)311-2121	FAX : +81(75)314-6559

(Contact address for overseas customers in Japan)

Yokohama	TEL : +81(45)476-9270	FAX : +81(045)476-9271
----------	-----------------------	------------------------