

Quad Chokes

Rated voltage 42 Vac/80 Vdc
Rated current 100 to 200 mA
Rated inductance 0,011 to 2,2 mH


Construction

- Current-compensated ring core quad choke with ferrite core
- Plastic case

Features

- Case flame-retardant as per UL 94 V-0
- Suitable for automatic insertion

Applications

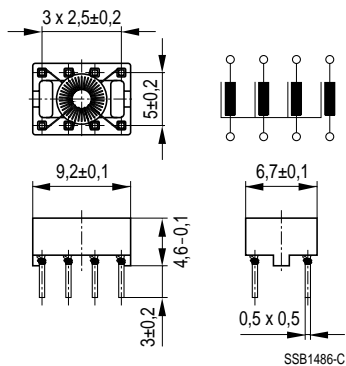
- Suppression of asymmetrical interference coupled in on lines, whereas data signals up to some MHz can pass unaffectedly

Terminals

- Pins fitting standard PCB grid

Marking

Ordering code, manufacturer, date of manufacture (month, year)

Dimensional drawing


Quad Chokes
General technical data

Rated voltage V_R	42 Vac (50/60 Hz) 80 Vdc
Rated current I_R	Referred to 50 Hz and 60 °C ambient temperature
Rated inductance L_R	Measured with HP 4275A; Measured frequency for $L \leq 1$ mH = 100 kHz, 0,1 mA $L > 1$ mH = 10 kHz, 0,1 mA (specified per winding)
Inductance tolerance	- 30 %/+ 50 %
Inductance decrease $\Delta L/L_0$	< 10 % at dc magnetic bias with I_R
Stray inductance L_S	Measured at 100 kHz and 5 mA
DC resistance R_{typ}	Typical values, measured at 20 °C ambient temperature
Climatic category	40/125/56 (- 40 °C/+ 125 °C/56 days damp heat test) in accordance with IEC 60068-1
Weight	Approx. 0,4 g

Characteristics and ordering codes

L_R mH	$L_{S, typ}$ nH	I_R mA	R_{typ} Ω	V_T Vdc, 2 s	Ordering code
0,011	50	200	0,12	750	B82796-C2113-N201
0,047	100	150	0,15	750	B82796-C2473-N201
0,47	200	100	0,35	750	B82796-C2474-N215
2,2	250	100	0,40	750	B82796-C2225-N265