



SAW Components

Data Sheet B3669





SAW Components

B3669

Low-Loss Filter

2140 MHz

Data Sheet

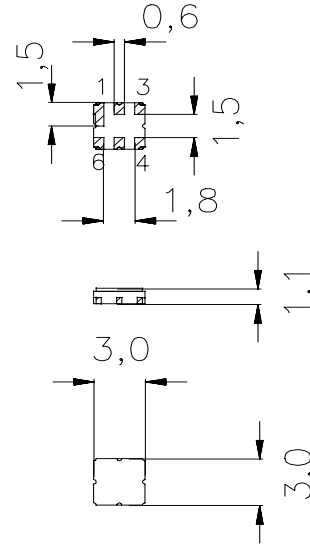
Features

- Low-loss RF filter for UMTS system
- Usable passband 60 MHz
- No matching network required for operation at 50 Ω
- Ceramic Package for **Surface Mounted Technology (SMT)**
- RoHS Compliant

Terminals

- Ni, gold-plated

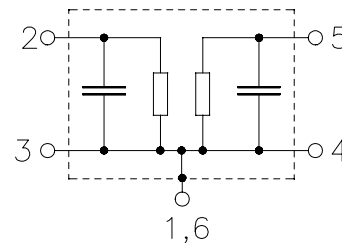
SMD ceramic package **DCC6C**



Dimensions in mm, approx. weight 0,037 g

Pin configuration

- 2 Input
- 1, 3 Input ground
- 5 Output
- 4, 6 Output ground



Type	Ordering code	Marking and Package according to	Packing according to
B3669	B39212-B3669-U410	C61157-A7-A67	F61074-V8168-Z000

Electrostatic Sensitive Device (ESD)

Maximum ratings

Operable temperature range	T	- 40/+ 85	°C	Machine Model, 10 pulses ¹⁾
Storage temperature range	T_{stg}	- 40/+ 85	°C	
DC voltage	V_{DC}	0	V	
ESD voltage	V_{ESD}	50	V	
Source power	P_s	10	dBm	

1) acc. to JESD22-A115A (Machine Model), 10 negative & 10 positive pulses



SAW Components

B3669

Low-Loss Filter

2140 MHz

Data Sheet

Characteristics

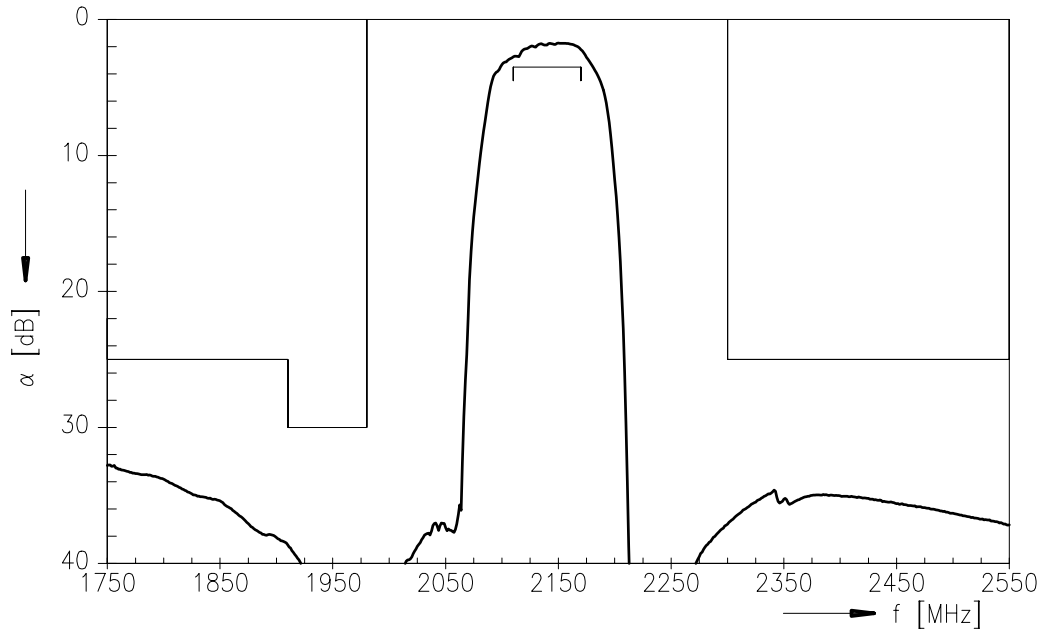
Operating temperature range: $T_A = -30 \dots +85 \text{ }^\circ\text{C}$
 Terminating source impedance: $Z_S = 50 \text{ } \Omega$
 Terminating load impedance: $Z_L = 50 \text{ } \Omega$

		min.	typ.	max.	
Nominal frequency	f_N	—	2140,0	—	MHz
Maximum insertion attenuation	α_{\max}	—	3,0	3,5	dB
2110,0 ... 2170,0 MHz					
Amplitude ripple (p-p)	$\Delta\alpha$	—	1,0	1,5	dB
2110,0 ... 2170,0 MHz					
Return loss		9,0	11,0	—	dB
2110,0 ... 2170,0 MHz					
Attenuation	α				dB
50,0 ... 1400,0 MHz		22,0	27,0	—	
1400,0 ... 1910,0 MHz		25,0	28,0	—	
1910,0 ... 1980,0 MHz		30,0	38,0	—	
2300,0 ... 3700,0 MHz		25,0	30,0	—	
3700,0 ... 5300,0 MHz		20,0	25,0	—	dB
5300,0 ... 5700,0 MHz		15,0	18,0	—	
Temperature coefficient of frequency	TC_f	—	-35	—	ppm/K

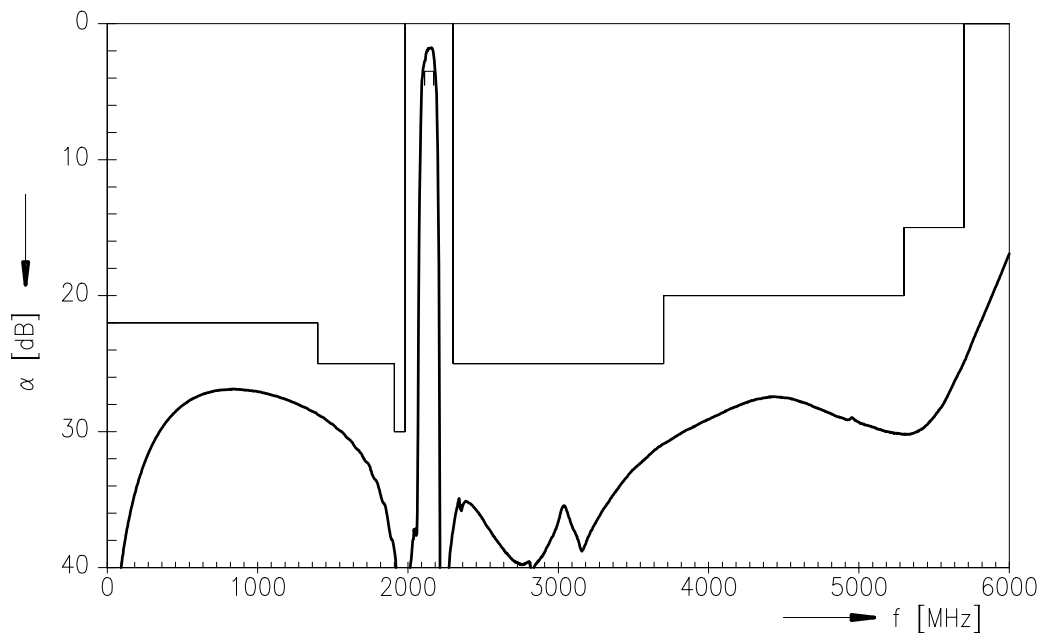


Data Sheet

Transfer function (narrow band)



Transfer function (wide band)





SAW Components

B3669

Low-Loss Filter

2140 MHz

Data Sheet

Published by EPCOS AG

Surface Acoustic Wave Components Division, SAW COM WT PD

P.O. Box 80 17 09, 81617 Munich, GERMANY

© EPCOS AG 2005. Reproduction, publication and dissemination of this brochure and the information contained therein without EPCOS' prior express consent is prohibited.

Purchase orders are subject to the General Conditions for the Supply of Products and Services of the Electrical and Electronics Industry recommended by the ZVEI (German Electrical and Electronic Manufacturers' Association), unless otherwise agreed.

This brochure replaces the previous edition.

For questions on technology, prices and delivery please contact the Sales Offices of EPCOS AG or the international Representatives.

Due to technical requirements components may contain dangerous substances. For information on the type in question please also contact one of our Sales Offices.