



IF Filters for Cordless Phones and ISM-Band Application

Series/Type: **B8103**

The following products presented in this data sheet are being withdrawn.

Ordering Code	Substitute Product	Date of Withdrawal	Deadline Last Orders	Last Shipments
B39111B8103L100		2004-05-19	2004-12-31	2005-03-31

For further information please contact your nearest EPCOS sales office, which will also support you in selecting a suitable substitute. The addresses of our worldwide sales network are presented at www.epcos.com/sales.



Withdrawn Products

The following products presented in this data sheet are being withdrawn:

B39111B8103L100

Date of withdrawal: 19-MAY-04

Deadline for last orders: 31-DEC-04

Last shipments: 31-MAR-05

For further information please contact your nearest EPCOS sales office, which will also support you in selecting a suitable substitute. The addresses of the sales offices are given on the Internet at www.epcos.com/sales.



SAW Components

Data Sheet B 8103





SAW Components

B 8103

Bandpass Filter

110,59 MHz

Data Sheet

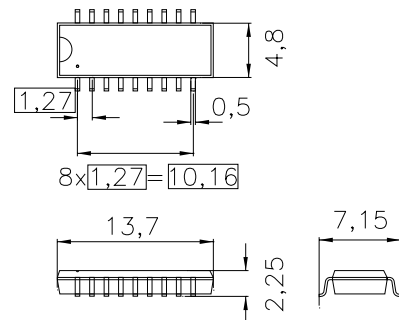
duroplast package **DIP18D**

Features

- IF filter for cordless phone
- Channel selection in ISM system
- **Surface Mounted Technology (SMT)**
- Standard IC small outline (SO) package
- Balanced and unbalanced operation possible

Terminals

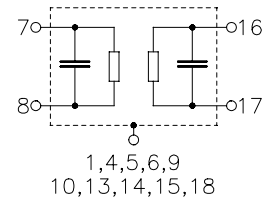
- Tinned CuFe alloy



Dimensions in mm, approx. weight 0,4 g

Pin configuration

- 8 Input
- 7 Input ground or balanced input
- 16 Output
- 17 Output ground or balanced output
- 1,4,5,6,9,10,13,14,15,18 Chip-carrier ground
- 2,3,11,12 not connected



Type	Ordering code	Marking and Package according to	Packing according to
B8103	B39111-B8103-L100	C61157-A2-A4	F61074-V8058-Z000

Electrostatic Sensitive Device (ESD)

Maximum ratings

Operable temperature range	T	0/+55	°C	
Storage temperature range	T_{stg}	-40/+85	°C	
DC voltage	V_{DC}	0	V	
Source power	P_s	10	dBm	



SAW Components

B 8103

Bandpass Filter

110,59 MHz

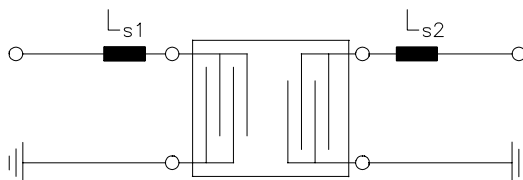
Data Sheet

Characteristics

Reference temperature: $T = +25\text{ °C}$
 Terminating source impedance: $Z_S = 50\ \Omega$ ($190\ \Omega \parallel 160\text{ nH}^*$)
 Terminating load impedance: $Z_L = 50\ \Omega$ ($180\ \Omega \parallel 150\text{ nH}^*$)

		min.	typ.	max.	
Nominal frequency	f_N	110,53	110,59	110,65	MHz
Insertion attenuation at f_N (including losses in matching network)	α_N	14,0 (11,1*)	15,5 (12,6*)	17,0 (14,1*)	dB dB
Pass bandwidth	B_{3dB}	0,66	0,70	0,74	MHz
	B_{30dB}	—	1,9	—	MHz
Group delay ripple (p-p) $f_N - 350\text{ kHz} \quad \dots \quad f_N + 350\text{ kHz}$	$\Delta\tau$	—	130 (350*)	200 (450*)	ns ns
Relative attenuation (relative to α_n)	α_{rel}				
$f_N \pm 20,0\text{ MHz} \dots f_N \pm 3,1\text{ MHz}$		42	48	—	dB
$f_N \pm 3,1\text{ MHz} \dots f_N \pm 2,5\text{ MHz}$		40	48	—	dB
$f_N \pm 2,5\text{ MHz} \dots f_N \pm 1,3\text{ MHz}$		32	38	—	dB
Impedance at f_N					
Input: $Z_{IN} = R_{IN} \parallel C_{IN}$		—	$190 \parallel 12$	—	$\Omega \parallel \text{pF}$
Output: $Z_{OUT} = R_{OUT} \parallel C_{OUT}$		—	$180 \parallel 16$	—	$\Omega \parallel \text{pF}$
Temperature coefficient of frequency	TC_f	—	- 18	—	ppm/K

*) with matching network to 50 Ω (element values depend on PCB layout):

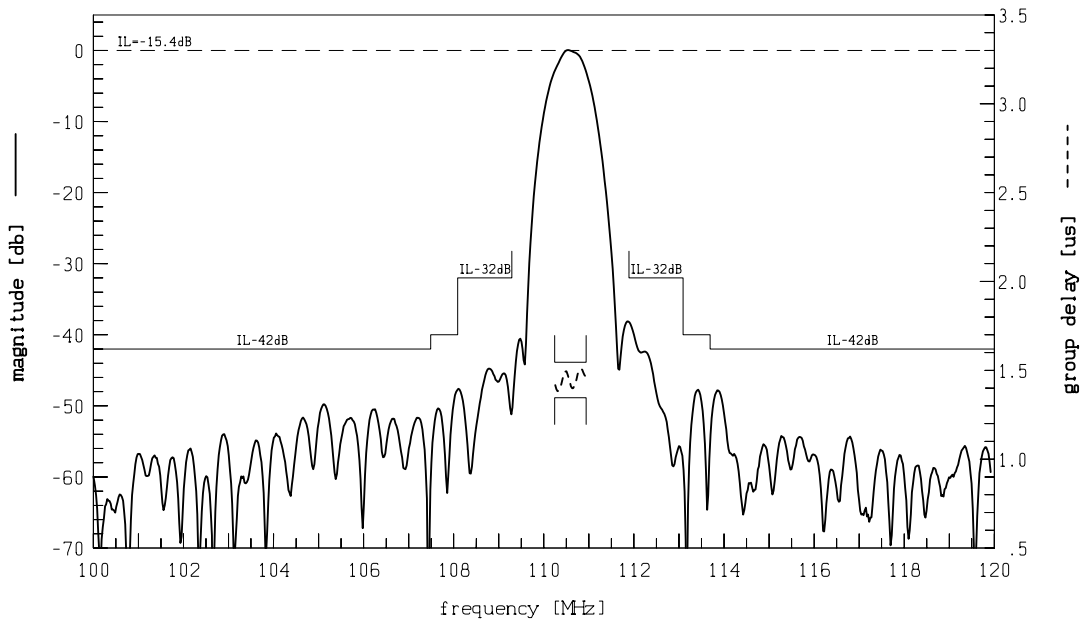


$L_{s1} = 100\text{ nH}$
 $L_{s2} = 120\text{ nH}$

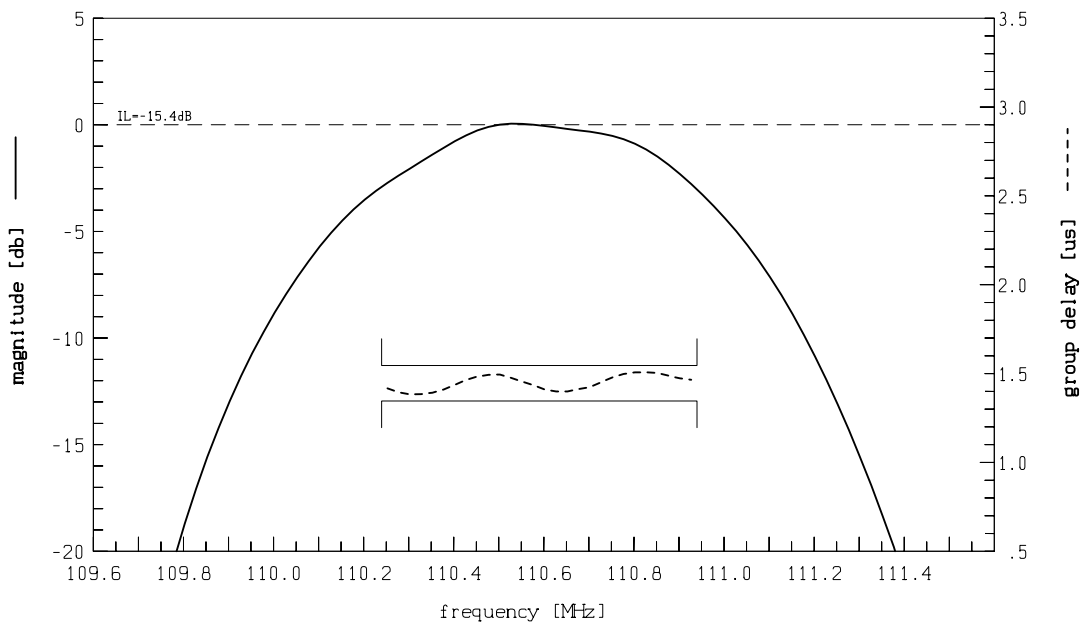


Data Sheet

Transfer function:



Transfer function (pass band):





SAW Components

B 8103

Bandpass Filter

110,59 MHz

Data Sheet

Published by EPCOS AG

Surface Acoustic Wave Components Division, SAW CE MM PD

P.O. Box 80 17 09, D-81617 München

© EPCOS AG 2001. All Rights Reserved.

As far as patents or other rights of third parties are concerned, liability is only assumed for components per se, not for applications, processes and circuits implemented within components or assemblies.

The information describes the type of component and shall not be considered as assured characteristics.

Terms of delivery and rights to change design reserved.

For questions on technology, prices and delivery please contact the sales offices of EPCOS AG or the international representatives.

Due to technical requirements components may contain dangerous substances. For information on the type in question please also contact one of our sales offices.