



## Capacitors for Power Electronics

**Series/Type:**        **B25667S**

The following products presented in this data sheet are being withdrawn.

Ordering Code	Substitute Product	Date of Withdrawal	Deadline Last Orders	Last Shipments
B25667S4497J375	B25667B4497A375	2004-09-10		

For further information please contact your nearest EPCOS sales office, which will also support you in selecting a suitable substitute. The addresses of our worldwide sales network are presented at [www.epcos.com/sales](http://www.epcos.com/sales).



**PhaseCap™**  
**B25667-S4497-J375**  
**MKK440-D-30-01**

**Characteristics**

$C_N$	3 x 164 $\mu$ F
Tol.	+ / - 5 %
Connection	D (Delta)
$U_N$	440 Vac
$f_N$	50 Hz
$Q_N$	30 kVAr
$I_N$	38 A
$\tan\delta_o$	0.2 W/kVAr

**Maximum ratings**

$U_{MAX}$ (up to 8h daily)	480 Vac
$U_{MAX}$ (up to 1 min)	570 Vac
$I_{MAX}$	1.3 x $I_N$ A
$I_S$	200 x $I_N$ A

**Test data**

$U_{TT}$	950 Vac	50Hz	10s
$U_{TC}$	3000 Vac	50Hz	10s

$\tan\delta$ (50 Hz) $\leq$	0,7 W/kVAr
-----------------------------	------------

**Climatic category -40/D**

$T_{min}$	-	40 °C
$T_{max}$	+	55 °C
humidity	av. rel.	< 95 %
max.altitude		4000 m

**Mean life expectancy**

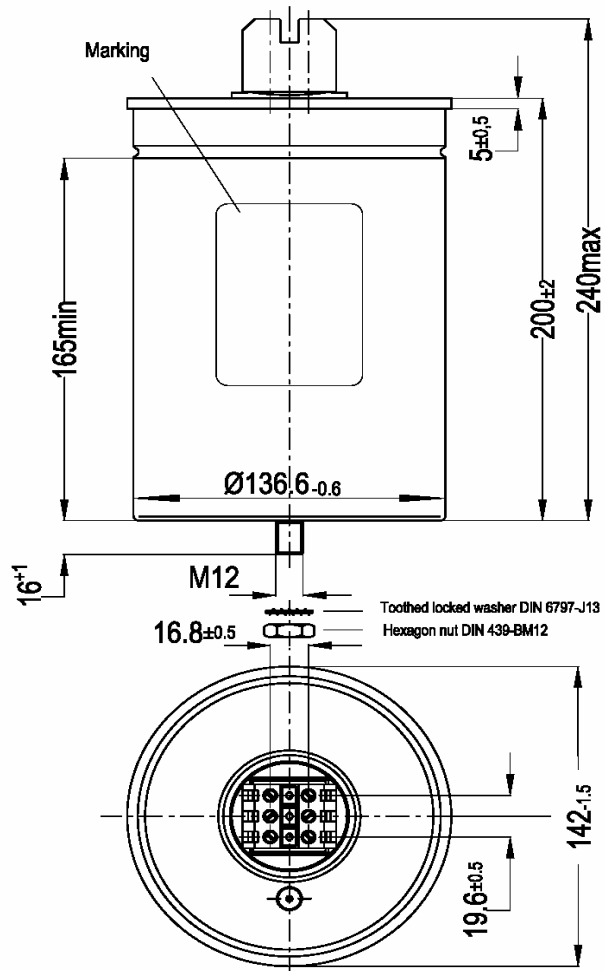
$t_{LD}$  up to 100000 h  
 5000 switchings per year according to IEC831

**Reference Standards**

IEC 60831-1/2, EN 60831-1/2  
 VDE 560-46/47

**Remarks**

Natural cooling



All dimensions in mm

**Design data**

Dimensions ( $\Phi$ x l):	142 x 200 mm
Approximated Weight:	2,5 Kg
Impregnation:	Dry, Inert Gas
Fixing:	Threaded bolt M12
Mounting hole:	14 Nm
Max.Torque (Al can stud):	10 Nm
Terminals:	Isolated terminal, IP20
Max.Torque (Terminals):	1.2 Nm
Terminal cross section:	16mm <sup>2</sup> (5 AWG)
Maximum terminal current:	75 A
Creepage distance:	12.7 mm
Clearance:	9.6 mm
Overpressure disconnecter:	(AFC: 10kA)
Any mounting position possible	

The information in our data book / sheet describes the type of component and shall not be considered as assured characteristics. This edition replaces the previous one.