

INDUSTRIAL GRADE CERAMIC RESONATOR

AWSZT

AWSZT-MR

Pb in ceramic
(exempt per RoHS 2002/95/EC Annex (7))

RoHS
Compliant



4.5 x 2.0 x 1.2 mm

FEATURES:

- Low resonant impedance
- High stability type
- Excellent environmental resistance
- Reflow capable
- Industrial grade
- Built-in load capacitance

APPLICATIONS:

- Remote controls, Microprocessor clocks, Mobile phones, DVD & CD-Roms, Electric appliances, Industrial controllers

ELECTRICAL CHARACTERISTICS:

Part Number (XX.XX denotes freq. in MHz)	Frequency Tolerance at 25°C	Frequency Stability at - 20°C to +80°C	Aging in 10 years	Operating temperature
AWSCR-XX.XXMRS 4.00 MHz - 10.00 MHz	± 0.5%	± 0.3%	± 0.3%	-20° to +80°C
AWSCR-XX.XXMRD 4.00 MHz - 10.00 MHz	± 0.5%	± 0.3% ± 0.5% (- 40C to 85C)	± 0.3%	-40° to +85°C
AWSCR-XX.XXMRA 4.00 MHz - 10.00 MHz	± 0.5%	± 0.3% ± 0.7% (- 40C to 125C)	± 0.3%	-40° to +125°C

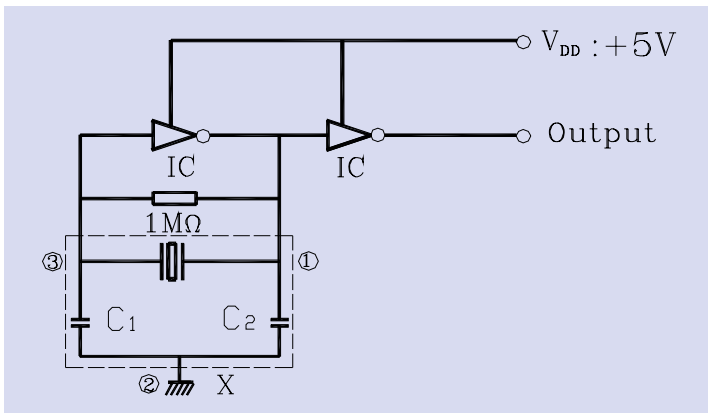
Storage temperature: - 40°C to + 125°C

Insulation resistance: 500Mohms min. at 10Vd

Resonant impedance: 40Ω

Load Capacitance (C1=C2 pF): 15pF ± 20% (4~8MHz), 21pF ± 20% (8~10MHz)

TEST CIRCUIT:



OPTIONS & PART IDENTIFICATION:

[Left blank if standard]

AWSCR - XX.XXMRY - Packaging

XX.XX: Frequency in MHz

Y: S, D, or A

INDUSTRIAL GRADE CERAMIC RESONATOR

AWSZT



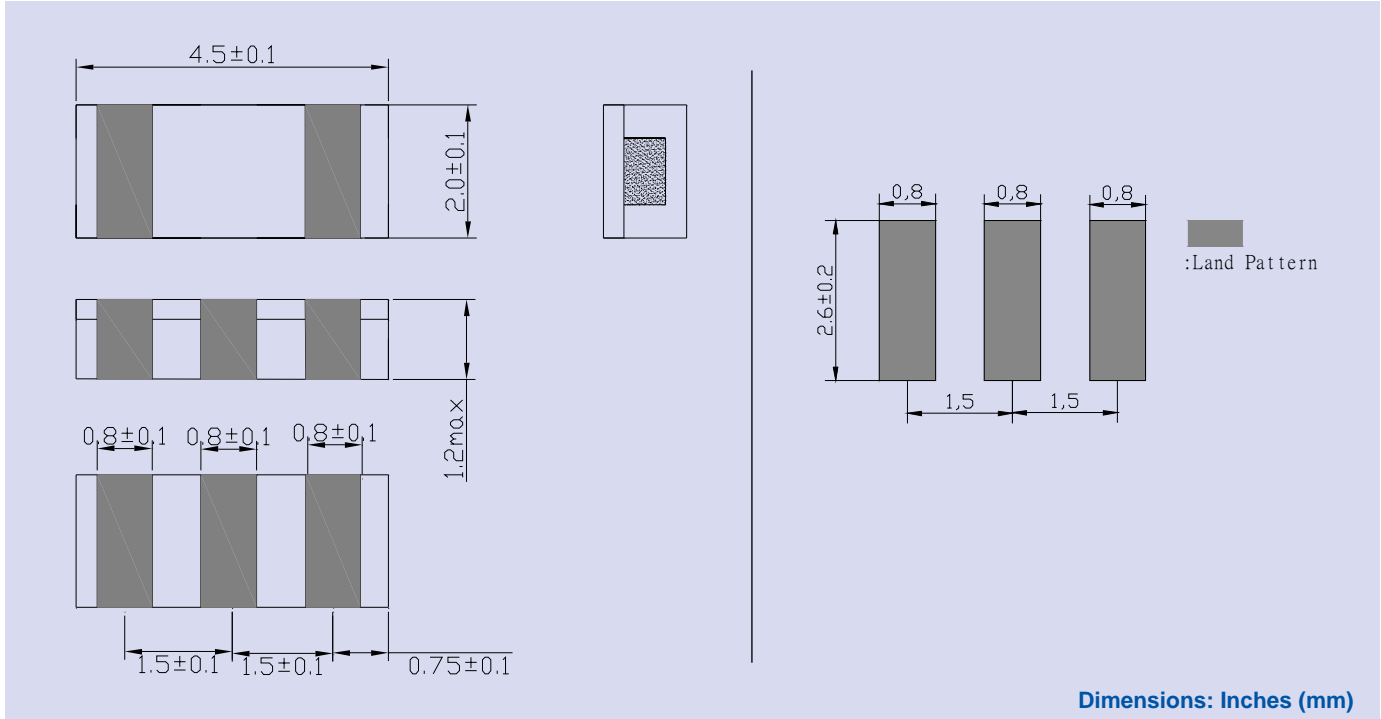
4.5 x 2.0 x 1.2 mm

AWSZT-MR

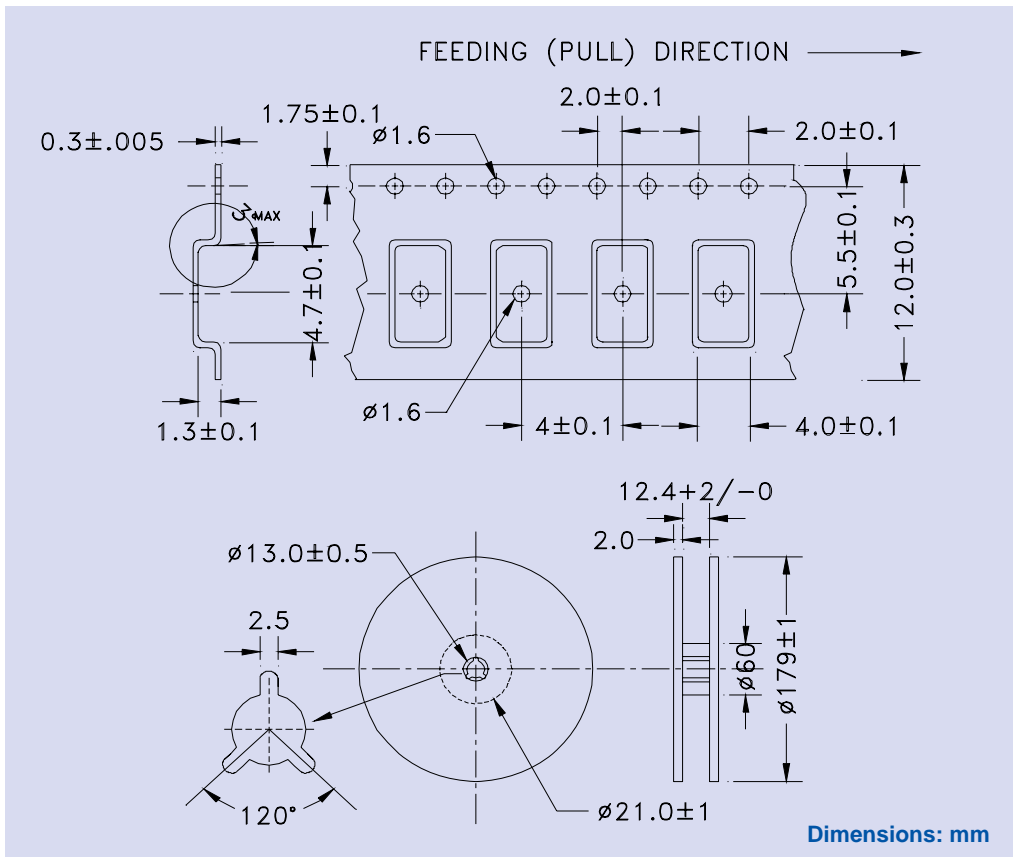
Pb in ceramic
(exempt per RoHS 2002/95/EC Annex (7))

RoHS
Compliant

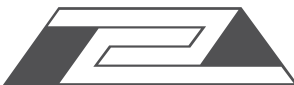
OUTLINE DRAWING:



TAPE & REEL:



ABRACON IS
ISO 9001 / QS 9000
CERTIFIED



ABRACON
CORPORATION

Visit www.abracon.com for Terms & Conditions of Sale **Revised: 07.26.07**
30332 Esperanza, Rancho Santa Margarita, California 92688
tel 949-546-8000 | fax 949-546-8001 | www.abracon.com