

# TEMPERATURE COMPENSATED CRYSTAL OSCILLATOR



ASTX11  
ASVTX11

3.2 X 2.5 X 1.0mm



**RoHS**  
Compliant

ASTX-11, ASVTX-11

## FEATURES:

- Compact and low in height.
- Low current consumption.
- Suitable for high-density SMT.
- Vc function corresponds to PLL circuits.
- IR reflow possible.

## APPLICATIONS:

- Cellular and cordless phones.
- Standard OSC for exact equipment.
- Mobile communication equipment.
- Portable radio equipment and music player.

## STANDARD SPECIFICATIONS:

### PARAMETERS

ABRACON P/N	ASTX-11 Series or ASVTX-11 Series
Frequency Range	13.000 MHz to 38.400 MHz
Standard Frequencies	13.0 MHz, 14.4 MHz, 19.2 MHz, 19.68 MHz, 26.0 MHz, 33.6 MHz, 38.4 MHz
Frequency Stability $\Delta f/f_0$	$\pm 2.5$ ppm (- 30° C ~ + 75° C)
Operating Temperature	- 30° C to + 75° C
Storage Temperature	- 40° C to + 85° C
Supply Voltage (Vdd)	2.4V ~ 3.0V (see option)
Frequency Adjustment Range	$\pm 8$ ppm Min.
Supply Current (Icc)	1.5mA Max/(13MHz~19.68MHz), 2.0mA Max/(>26MHz)
Output Voltage	0.8 V p-p min. Clipped Sine Wave
Output Load	10 k $\Omega$ // 10 pF
Start-up Time	5.0msec Max. <14.400MHz, 3.5msec Max. >15.000MHz
Aging (first year)	$\pm 1.0$ ppm / year max.

## OPTIONS & PART IDENTIFICATION:

ASTX or ASVTX - 11 -  - Frequency -

Vdd (V)		Packaging	
A	3.0 $\pm$ 10%	Blank	Bulk
B	2.8 $\pm$ 10%	T	Tape and Reel 1,000 or 2,000pcs
C	2.75 $\pm$ 10%		
D	2.4 $\pm$ 10%		



# TEMPERATURE COMPENSATED CRYSTAL OSCILLATOR

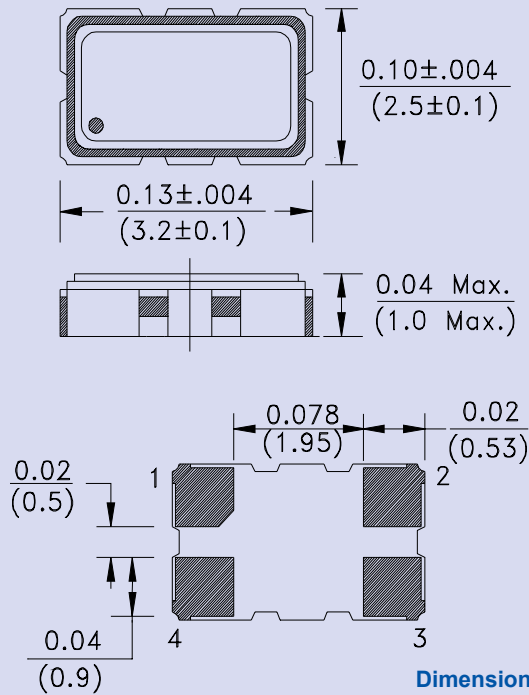


3.2 X 2.5 X 1.0mm

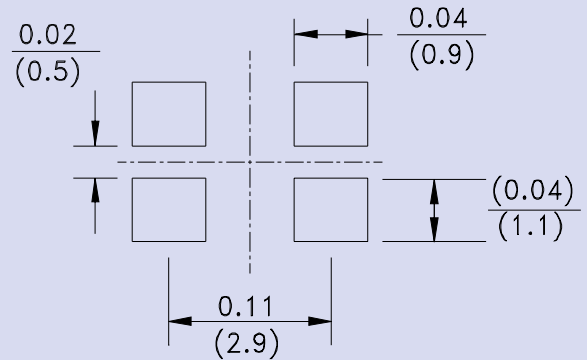
ASTX-11, ASVTX-11



## OUTLINE DRAWING:



Recommended land pattern



**Note:** It is recommended to use an approximately 0.01uF bypass capacitor between PIN 2 and 4.

PIN	ASVTX-11	FUNCTION
1		Vcc
2		GND
3		Output
4		Vdd

PIN	ASTX-11	FUNCTION
1		GND
2		GND
3		Output
4		Vdd

## TAPE & REEL:

