

# 3.3Vdc HCMOS/TTL SMD CRYSTAL CLOCK OSCILLATOR



7.0 x 5.0 x 1.4mm

ASV1 SERIES



## FEATURES:

- Low profile, Leadless Chip Carrier (LCC)
- HCMOS/TTL Compatible, 3.3Vdc, 2.5Vdc, & 1.8Vdc options
- Reflow capable, Seam Sealed Package

## APPLICATIONS:

- Clock signaling for  $\mu$ Processors, PC Motherboards & Graphic Cards
- High output drive capability (up to 50pf)

## STANDARD SPECIFICATIONS:

### PARAMETERS

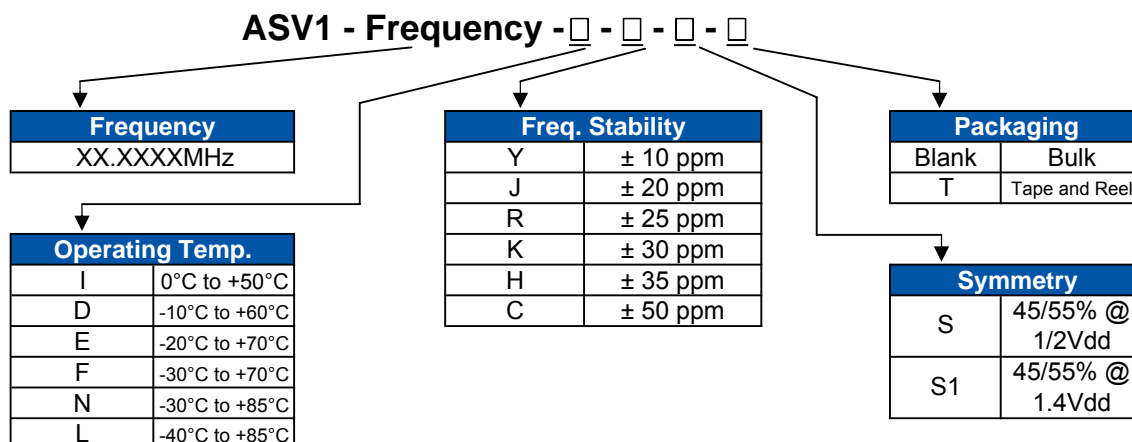
ABRACON P/N	ASV1 Series
Frequency Range	1.000 MHz to 150.000 MHz
Operating Temperature	-10° C to +70° C (see options)
Storage Temperature	-55° C to +125° C
Overall Frequency Stability	$\pm 100$ ppm max. (see options)
Supply Voltage (Vdd)	3.3 Vdc $\pm 10\%$
Input Current	See Table 1
Symmetry	40/60 % max.@ 1/2Vdd (see options)
Rise time / Fall time (Tr/Tf)	See Table 1
Output Load	15pF (5TTL)
Output Voltage	VOH = 0.9 * Vdd min.; VOL = 0.4 Vdc max.
Start-up Time	10ms max.
Tristate Function	"1" (VIH $\geq 2.2 \cdot Vdd$ ) or open: Oscillation "0" (VIL $< 0.8 \cdot Vdd$ ) : Hi Z
Aging at 25°C/year	$\pm 5$ ppm max.
Period jitter one sigma	$\pm 25$ ps max.
Disable Current	15 $\mu$ A max.

Table 1

Frequency	I <sub>dd</sub> (max)	Tr/Tf (max)
1.0 ~ 34.99MHz	16mA	10ns
35.0 ~ 60.0MHz	25mA	5ns
60.01~99.99MHz	40mA	5ns
100 ~ 150MHz	50mA	2.5ns

## OPTIONS & PART IDENTIFICATION:

(Left blank if standard)



# 3.3Vdc HCMOS/TTL SMD CRYSTAL CLOCK OSCILLATOR



ASV1

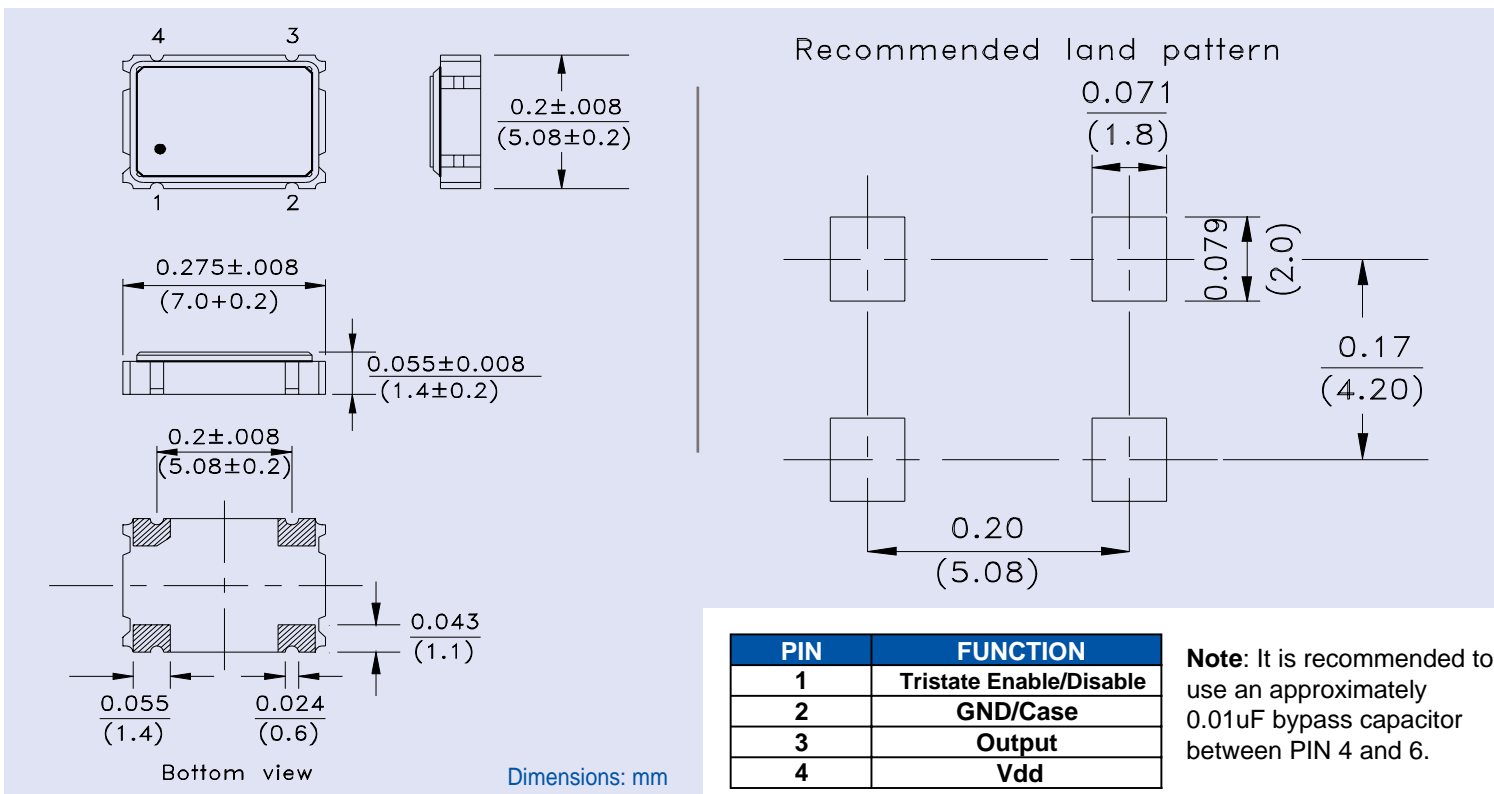
7.0 x 5.0 x 1.4mm

ASV1 SERIES

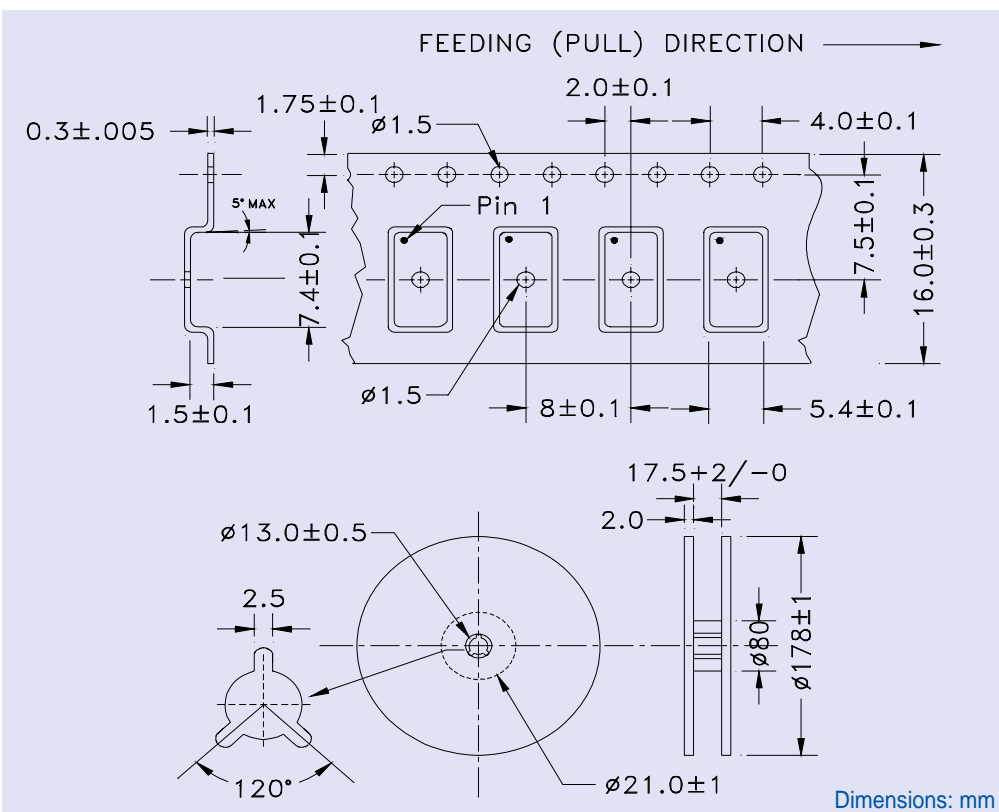


RoHS  
Compliant

## OUTLINE DRAWING:



## TAPE & REEL: T = Tape and reel 1,000pcs/reel



ABRACON IS  
ISO 9001 / QS 9000  
CERTIFIED



Visit [www.abracon.com](http://www.abracon.com) for Terms & Conditions of Sale **Revised: 07.12.07**  
30332 Esperanza, Rancho Santa Margarita, California 92688  
tel 949-546-8000 | fax 949-546-8001 | [www.abracon.com](http://www.abracon.com)