

SCHOTTKY LOW BARRIER DIODE

DESCRIPTION:

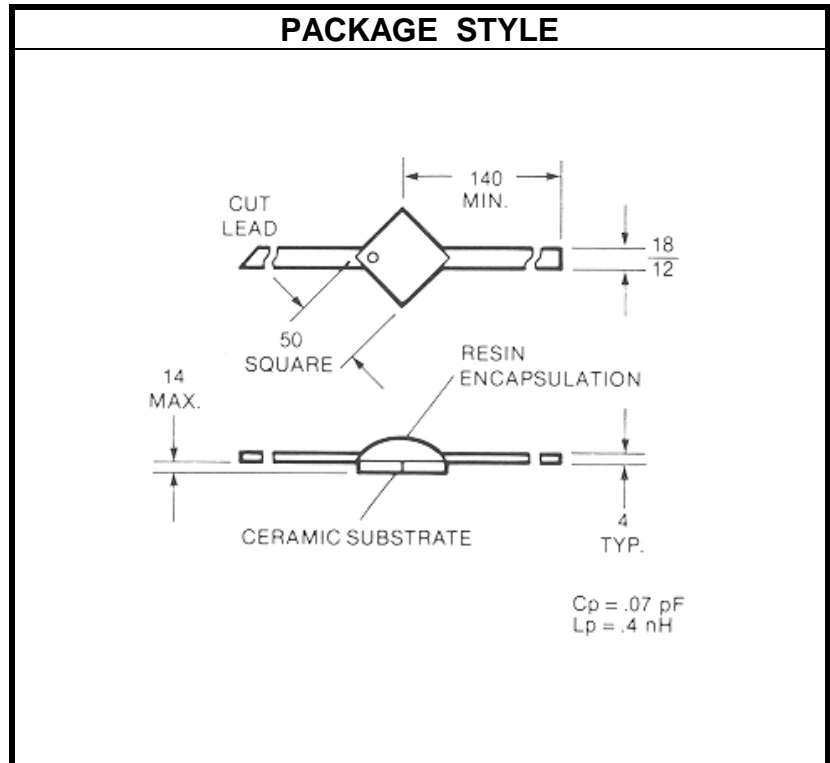
The **ASI 5082-2794** is a Low Barrier Schottky Diode designed for General Purpose Mixer Applications.

FEATURES INCLUDE:

- Small size
- Low noise figure

MAXIMUM RATINGS:

P_{DISS}	125 mW @ T _A = 25 °C
T_J	-65 °C to +150 °C
T_{STG}	-65 °C to +150 °C
θ_{JC}	1000 °C/W


CHARACTERISTICS T_C = 25 °C

SYMBOL	TEST CONDITIONS	MINIMUM	TYPICAL	MAXIMUM	UNITS
NF	DC Load Resistance = 0 Ω			6.0	DB
Z_{IF}	L.O. Power = 1.0 mW	150		350	Ω
SRW	I _F = 30 MHz			1.5:1	---
C_J	V _R = 0 V		0.18		pF
TSS	Zero Bias		-44		dBm
γ	P _{IN} = -30 dBm		10		mV/μW
R_V	Video Bandwidth = 2.0 MHz f = 10 GHz		1.8		MΩ