

# TIGHT STABILITY INDUSTRIAL GRADE OSCILLATOR



3.2 x 2.5 x 1.2mm

**ASET SERIES**

Available Quarter 3, 2007



**RoHS**  
Compliant

## FEATURES:

- Highly reliable seam-sealed package
- Low current consumption
- Low phase noise and jitter
- Industrial grade tight temperature stability ( $\pm 5.0\text{ppm} / -40$  to  $+85^\circ\text{C}$ )
- Fast start-up time
- CMOS output with Tri-state function

## APPLICATIONS:

- Home networking by AC socket
- Wireless LAN
- Mobile communications
- PLC modem
- WiMax

## STANDARD SPECIFICATIONS:

### PARAMETERS

ABRACON P/N:	ASET Series
Frequency:	4.000MHz to 54.000MHz
Standard Frequencies:	5, 10, 12, 16, 20, 24, 32, 40, 44MHz
Output level:	CMOS
Operating temperature:	-40°C to +85°C
Storage temperature:	-40°C to +85°C
Frequency Stability:	$\pm 10\text{ppm}$ (see option)
Frequency Stability vs. Vdd:	$\pm 0.5\text{ppm}$
Supply voltage (Vdd):	3.0Vdc $\pm 10\%$
Supply Current (Idd):	7mA max. / 10 $\mu\text{A}$ max. (Standby)
Symmetry:	45/55 % @ 50% Vdd
Rise and Fall Times(Tr/Tf):	5ns max. / 10%Vdd-90%Vdd
Output load:	15pF
Output Voltage:	VOH = 0.9*Vdd min. VOL = 0.1*Vdd max.
Tri State Function:	#1: NC OR "H" → Output enable #1: "L" → Output disable (Hi-Z)
Start-up-time:	0.2ms typ.
Aging per year:	$\pm 5$ ppm @25°C
Fast enable time:	0.1ms typ.
Phase Noise (@ 10kHz offset):	-143dBc/Hz Typ.
Jitter:	1 $\sigma$ 3ps typ.

## OPTIONS AND PART IDENTIFICATION:

(Left blank if standard)

ASET - Frequency -  -  -

P/N and Vdd (V)	
Blank	3.0 $\pm 10\%$
A	2.5 $\pm 10\%$
B	3.3 $\pm 10\%$

Freq. Stability	
Blank	$\pm 10$ ppm
R5	$\pm 5$ ppm

Packaging	
T	Tape and Reel



# TIGHT STABILITY INDUSTRIAL GRADE OSCILLATOR



ASET

5.0 x 3.2 x 1.2mm

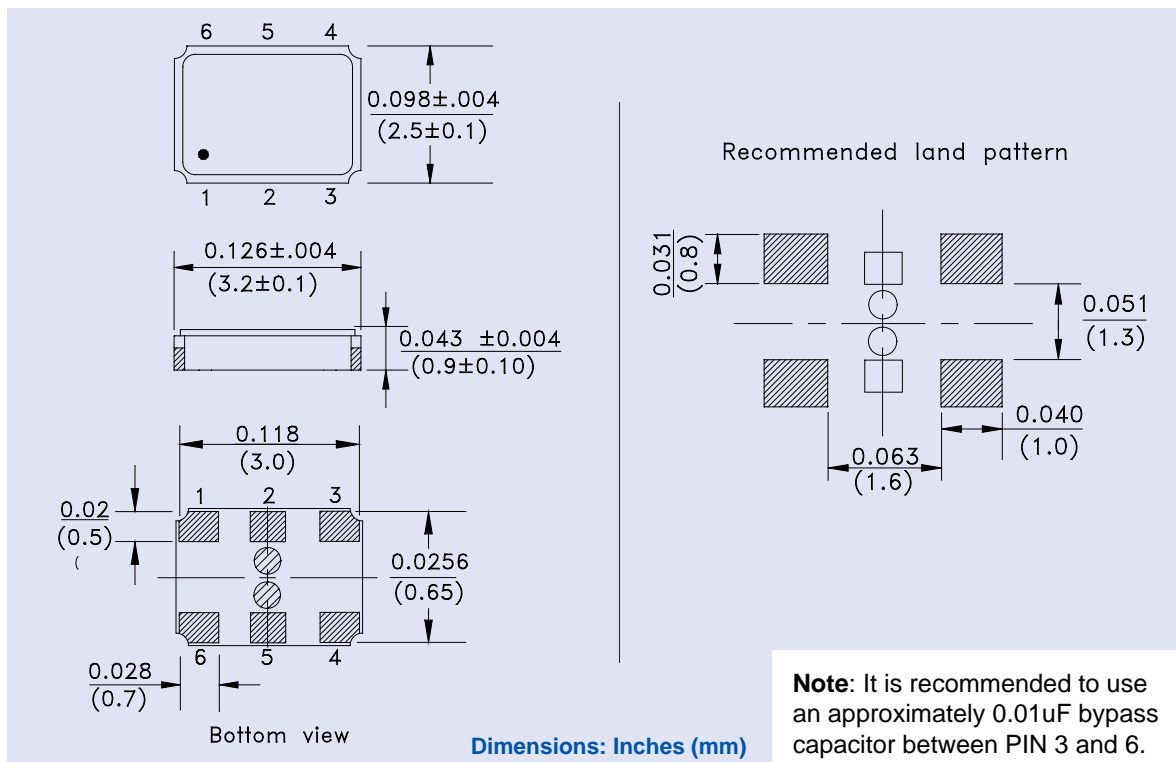
ASET SERIES

Available Quarter 3, 2007



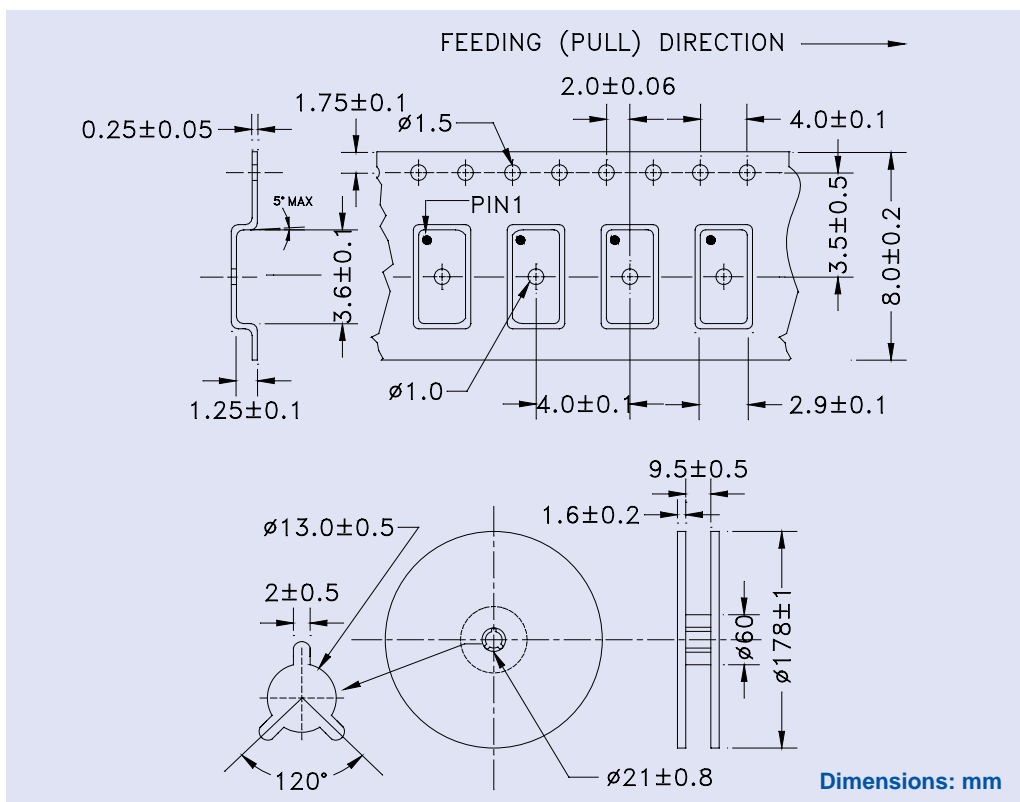
RoHS  
Compliant

## OUTLINE DRAWING:



PIN	FUNCTION
1	CE
2	N.C.
3	GND
4	Output
5	N.C.
6	Vdd

## TAPE & REEL:



ABRACON IS  
ISO 9001 / QS 9000  
CERTIFIED



30332 Esperanza, Rancho Santa Margarita, California 92688  
tel 949-546-8000 | fax 949-546-8001 | [www.abracon.com](http://www.abracon.com)

REVISED: 4.20.07