

APJA2107SEC

SUPER BRIGHT ORANGE

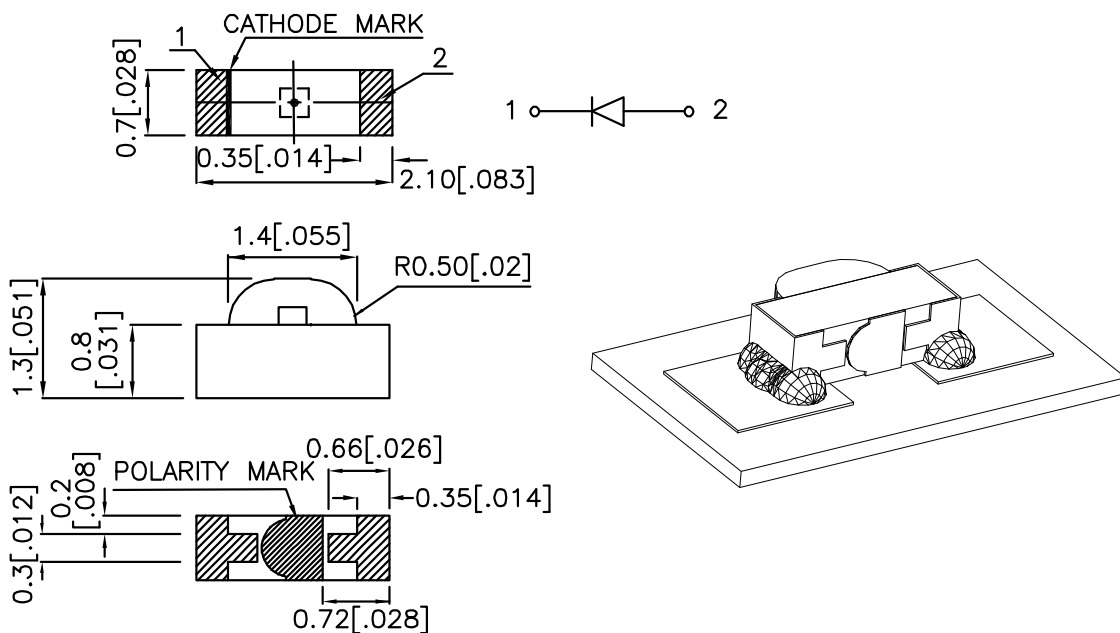
### Features

- 2.1mmx0.7mm RIGHT ANGLE SMT LED, 1.3mm THICKNESS.
- LOW POWER CONSUMPTION.
- WIDE VIEWING ANGLE.
- IDEAL FOR BACKLIGHT AND INDICATOR.
- VARIOUS COLORS AND LENS TYPES AVAILABLE.
- PACKAGE : 2000PCS / REEL.
- RoHS COMPLIANT.

### Description

The Super Bright Orange device is made with DH InGaAlP (on GaAs substrate) light emitting diode chip.

### Package Dimensions



#### Notes:

1. All dimensions are in millimeters (inches).
2. Tolerance is  $\pm 0.15$  (0.006") unless otherwise noted.
3. Specifications are subject to change without notice.

## Selection Guide

| Part No.    | Dice                          | Lens Type   | Iv (mcd)<br>@ 20mA |      | Viewing<br>Angle |
|-------------|-------------------------------|-------------|--------------------|------|------------------|
|             |                               |             | Min.               | Typ. | θ1/2             |
| APJA2107SEC | SUPER BRIGHT ORANGE (InGaAlP) | WATER CLEAR | 70                 | 300  | 120°             |

Note:

1. θ1/2 is the angle from optical centerline where the luminous intensity is 1/2 the optical centerline value.

## Electrical / Optical Characteristics at TA=25°C

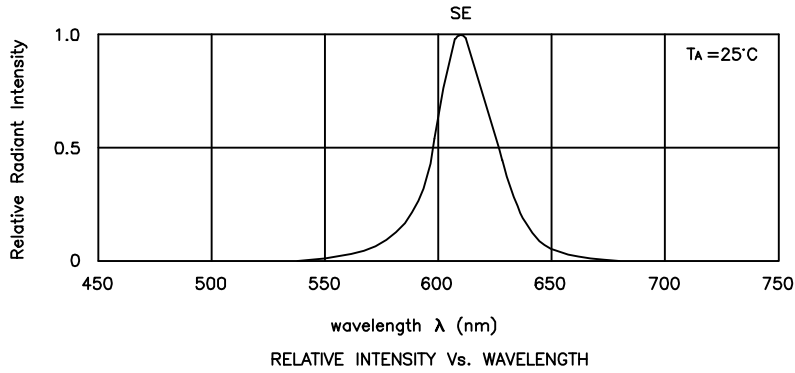
| Symbol                | Parameter                | Device              | Typ. | Max. | Units | Test Conditions |
|-----------------------|--------------------------|---------------------|------|------|-------|-----------------|
| $\lambda_{peak}$      | Peak Wavelength          | Super Bright Orange | 610  |      | nm    | IF=20mA         |
| $\lambda_D$           | Dominant Wavelength      | Super Bright Orange | 601  |      | nm    | IF=20mA         |
| $\Delta\lambda_{1/2}$ | Spectral Line Half-width | Super Bright Orange | 29   |      | nm    | IF=20mA         |
| C                     | Capacitance              | Super Bright Orange | 30   |      | pF    | VF=0V;f=1MHz    |
| VF                    | Forward Voltage          | Super Bright Orange | 2.0  | 2.5  | V     | IF=20mA         |
| IR                    | Reverse Current          | Super Bright Orange |      | 10   | uA    | VR= 5V          |

## Absolute Maximum Ratings at TA=25°C

| Parameter                       | Super Bright Orange | Units |
|---------------------------------|---------------------|-------|
| Power dissipation               | 75                  | mW    |
| DC Forward Current              | 30                  | mA    |
| Peak Forward Current [1]        | 195                 | mA    |
| Reverse Voltage                 | 5                   | V     |
| Operating / Storage Temperature | -40°C To +85°C      |       |

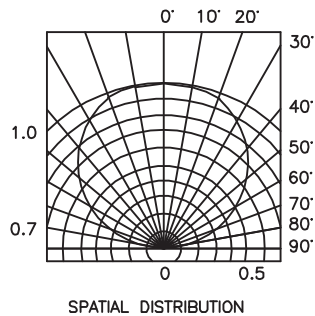
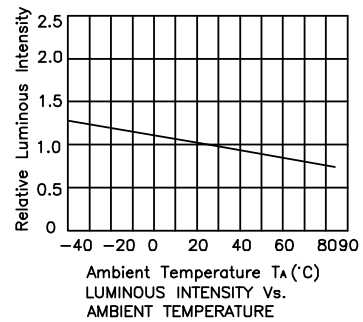
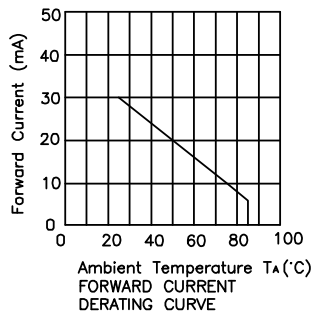
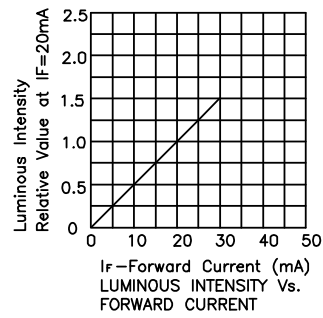
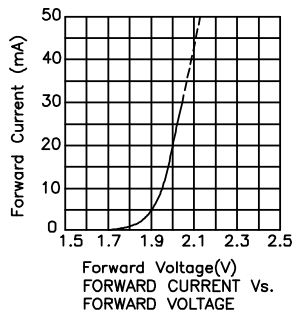
Note:

1. 1/10 Duty Cycle, 0.1ms Pulse Width.



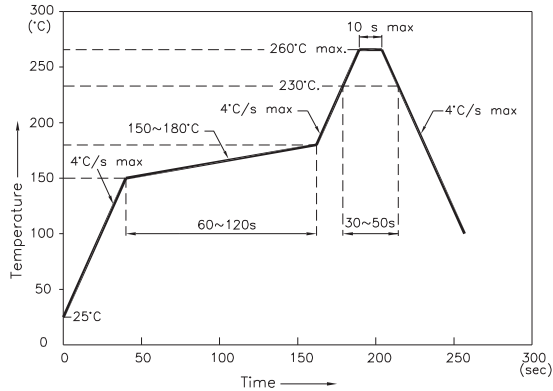
## Super Bright Orange

## APJA2107SEC



## APJA2107SEC

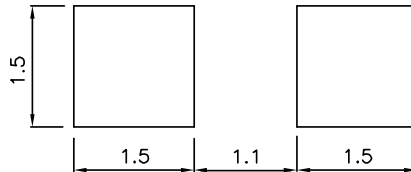
Reflow Soldering Profile For Lead-free SMT Process.



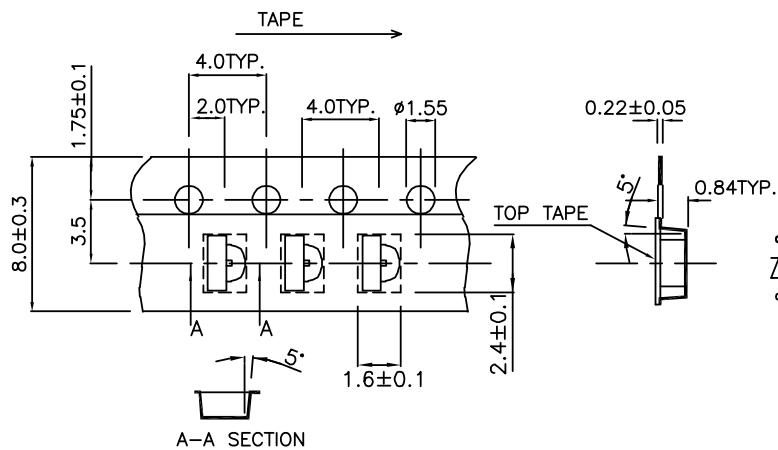
NOTES:

1. We recommend the reflow temperature 245°C(+/-5°C). The maximum soldering temperature should be limited to 260°C.
2. Don't cause stress to the epoxy resin while it is exposed to high temperature.
3. Number of reflow process shall be 2 times or less.

### Recommended Soldering Pattern (Units : mm)



### Tape Specifications (Units : mm)



Remarks:

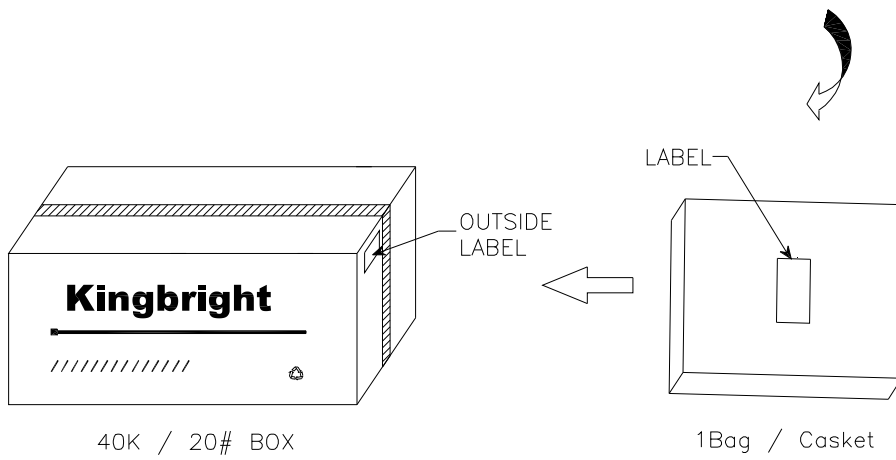
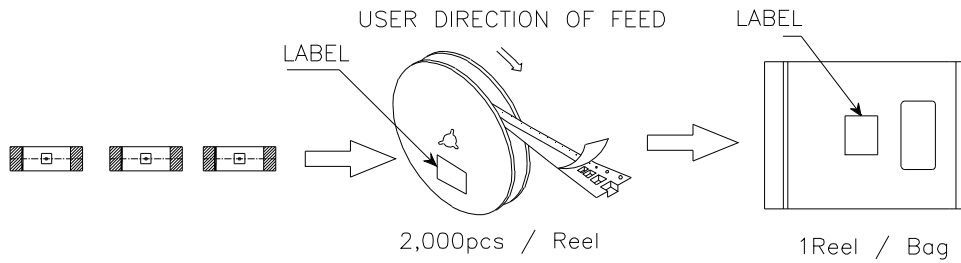
If special sorting is required (e.g. binning based on forward voltage, luminous intensity, or wavelength), the typical accuracy of the sorting process is as follows:


1. Wavelength: +/-1nm
2. Luminous Intensity: +/-15%
3. Forward Voltage: +/-0.1V

Note: Accuracy may depend on the sorting parameters.

## PACKING & LABEL SPECIFICATIONS

APJA2107SEC



|  |   |
|--|---|
| <b>Kingbright</b>  |   |
| P/NO: APJA2107xxx  |   |
| QTY: 2,000 pcs   | Q.C. <span style="border: 1px solid black; border-radius: 50%; padding: 2px;">QC<br/>xx xx xx<br/>PASSED</span> |
| S/N: XXXX  |   |
| CODE: XXX  |   |
| LOT NO:  |   |
| <br>xxxxxxxxxxxxxxxxxxxxxxxxxxxxxxxx |   |
| RoHS Compliant   |   |