

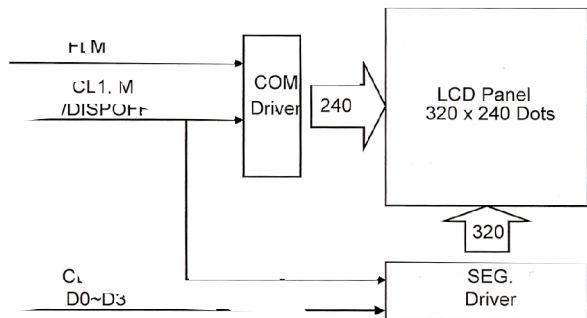
# AG-320240D

•320x240 dots 1/240 Duty

## FEATURE

1. Construction : LCD, Bezel, PCB, white edge-type LED back-light, touch panel.
2. Pure driver type.
3. Besides +5V for logic circuit, -20V is needed for LCD driving.
4. Normal temperature type.

## POWER SUPPLY



## ELECTRICAL CHARACTERISTICS

Parameter	LCD Driving	Symbol	Condition	Typ. Value	Unit.
Voltage		VDD-VO	25°C	21	V
Supply Current (Driver)		IDD	VDD=5.0V	7	mA

## BUILT-IN CONTROLLER

1	2	3	4	5	6	7	8
LED-	LED+	/DISPOFF	D3	D2	D1	D0	VEE
9	10	11	12	13	14	15	
VSS	VDD	VO	M	CL2	CL1	FLM	

