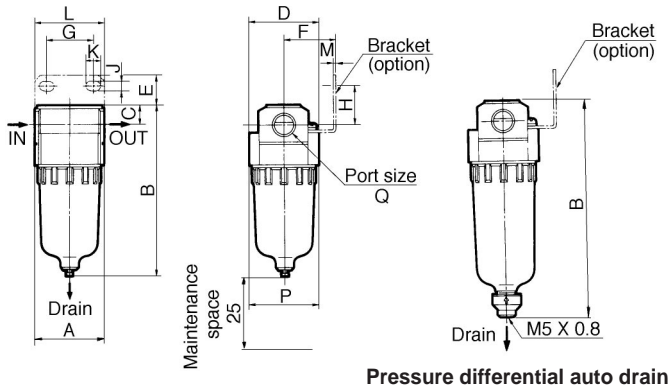


AF1000 to 6000

Dimensions

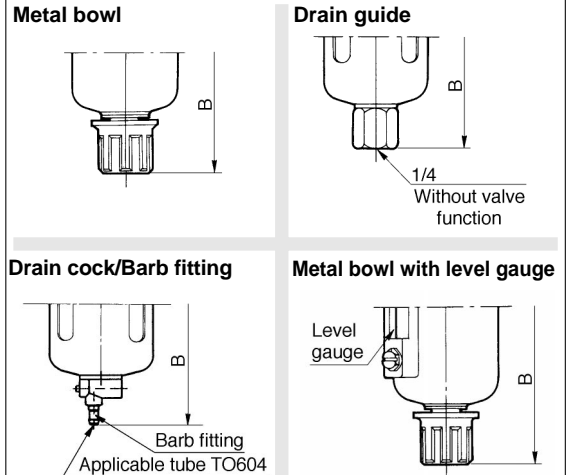


AF1000/2000

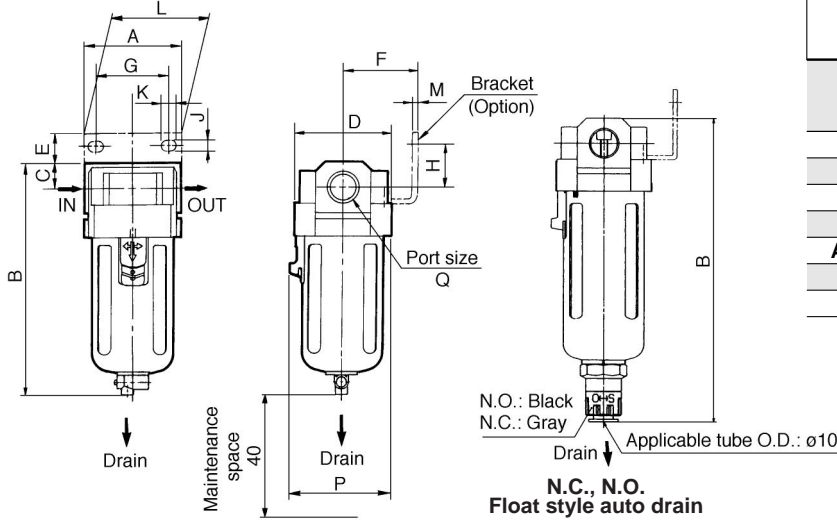


Pressure differential auto drain

Option (AF3000 to AF6000)



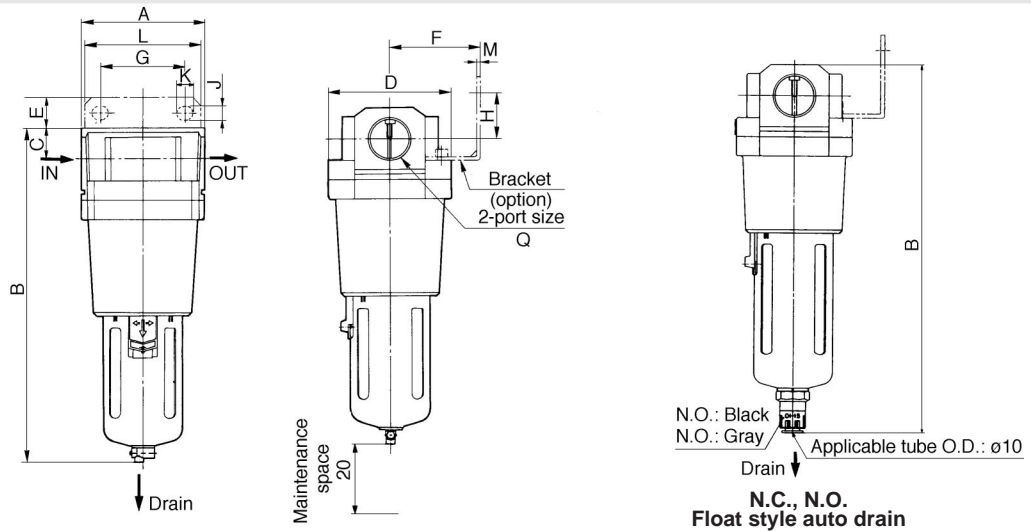
AF3000/4000/4000-06



N.C., N.O. Float style auto drain

Model	Barb fitting	Drain guide	Metal bowl	Metal bowl with level gauge
	B	B	B	B
AF1000	—	—	66	—
AF2000	—	—	97.5	—
AF3000	137.5	135	142	162
AF4000	173.5	171	178	198
AF4000-06	177.5	175	182	202
AF5000	252.5	250	257	277
AF6000	266.5	264	271	291

AF5000/6000



N.C., N.O. Float style auto drain

Model	Port size Q	A	B	C	D	Bracket mounting dimensions										P	Auto-drain	
						E	F	G	H	J	K	L	M	B	B			
																	—	—
AF1000	M5 x 0.8	25	66	7	25	—	—	—	—	—	—	—	—	—	27.5	—	86.5	
AF2000	1/8, 1/4	40	97.5	11	40	17	30	27	22	5.4	8.4	40	2.3	40	—	—	120.5	
AF3000	1/4, 3/8	53	129	14	53	16	41	40	23	6.5	8	53	2.3	56	170	—	—	
AF4000	1/4, 3/8, 1/2	70	165	18	70	17	50	54	26	8.5	10.5	70	2.3	73	206	—	—	
AF4000-06	3/4	75	169	20	70	14	50	54	25	8.5	10.5	70	2.3	73	210	—	—	
AF5000	3/4, 1	90	244	24	90	23	70	66	35	11	13	90	3.2	—	285.5	—	—	
AF6000	1	95	258	24	95	23	70	66	35	11	13	90	3.2	—	299.5	—	—	

	AF1000	————	SAC1000, #1	AF4000-06	————	SAC4006, #1
	AF2000	————	SAC2000, #1	AF5000	————	SAC5000, #1
	AF3000	————	SAC2503, #1	AF6000	————	SAC6000, #1
	AF4000	————	SAC4000, #1			