

**FEATURES**

- 14-bit resolution
- 3MHz minimum sampling rate
- Ideal for both frequency and time-domain applications
- Excellent peak harmonics, -83dB
- Excellent signal-to-noise ratio, 79dB
- No missing codes over full military temperature range
- ±5V supplies, 1.7 Watts
- Small, 24-pin ceramic DDIP or SMT
- Low cost



**GENERAL DESCRIPTION**

The low-cost ADS-943 is a 14-bit, 3MHz sampling A/D converter optimized to meet the demanding dynamic-range and sampling-rate requirements of contemporary digital telecommunications applications. The ADS-943's outstanding dynamic performance is evidenced by a peak harmonic specification of -83dB and a signal-to-noise ratio (SNR) of 79dB. Additionally, the ADS-943 easily achieves the 2.2MHz minimum sampling rate required by digital receivers in certain ADSL, HDSL and ATM applications. The ADS-943 also addresses size and power constraints normally associated with these types of applications. This device requires just ±5V supplies, dissipates 1.7 Watts, and is packaged in a very small 24-pin DDIP.

Although optimized for frequency-domain applications, the ADS-943's DNL and noise specifications are also outstanding, thereby making it an equally impressive device for time-domain applications (graphic and medical imaging, process control, etc.). In fact, the ADS-943 guarantees no missing codes to the 14-bit level over the full military operating temperature range.

The functionally complete ADS-943 contains a fast-settling sample-hold amplifier, a subranging (two-pass) A/D converter, an internal reference, timing/control logic, and error-correction circuitry. Digital input and output levels are TTL. The unit is

**INPUT/OUTPUT CONNECTIONS**

PIN	FUNCTION	PIN	FUNCTION
1	BIT 1 (MSB)	24	ANALOG GROUND
2	BIT 2	23	OFFSET ADJUST
3	BIT 3	22	+5V ANALOG SUPPLY
4	BIT 4	21	ANALOG INPUT
5	BIT 5	20	-5V SUPPLY
6	BIT 6	19	ANALOG GROUND
7	BIT 7	18	START CONVERT
8	BIT 8	17	EOC
9	BIT 9	16	BIT 14 (LSB)
10	BIT 10	15	BIT 13
11	BIT 11	14	DIGITAL GROUND
12	BIT 12	13	+5V DIGITAL SUPPLY

edge-triggered, requiring only the rising edge of a start convert pulse to initiate a conversion.

The device is offered with a bipolar input range of ±2V. Models are available for use in either commercial (0 to +70°C) or military (-55 to +125°C) operating temperature ranges. A proprietary, auto-calibrating, error-correcting circuit allows the device to achieve specified performance over the full military temperature range.

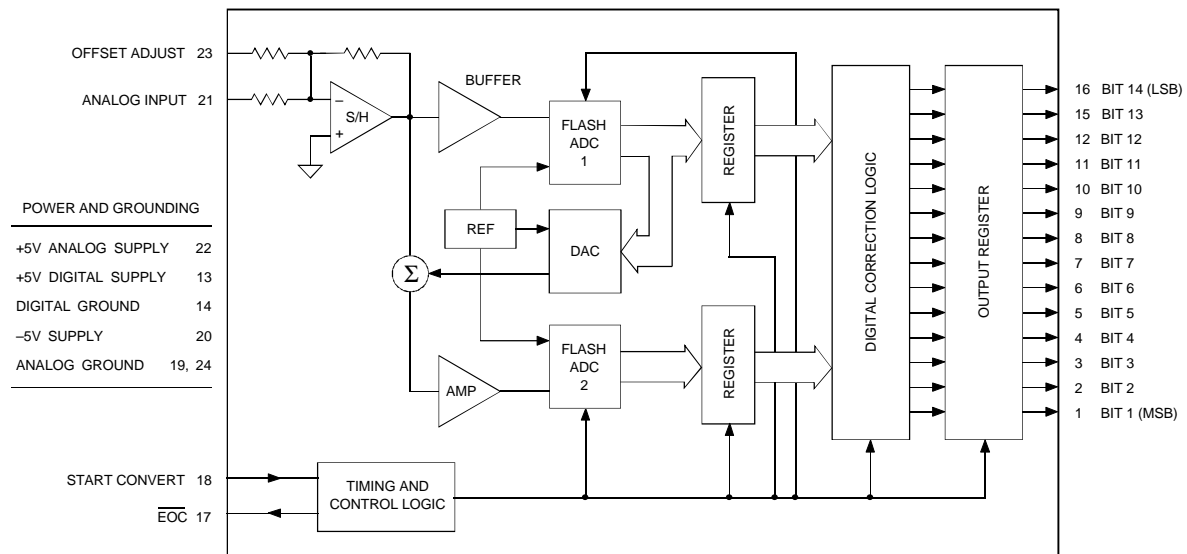


Figure 1. ADS-943 Functional Block Diagram

**ABSOLUTE MAXIMUM RATINGS**

PARAMETERS	LIMITS	UNITS
+5V Supply (Pins 13, 22)	0 to +6	Volts
-5V Supply (Pin 20)	0 to -6	Volts
Digital Input (Pin 18)	-0.3 to +VDD +0.3	Volts
Analog Input (Pin 21)	-5 to +5	Volts
Lead Temperature (10 seconds)	+300	°C

**PHYSICAL/ENVIRONMENTAL**

PARAMETERS	MIN.	TYP.	MAX.	UNITS
Operating Temp. Range, Case				
ADS-943MC, GC	0	—	+70	°C
ADS-943MM, GM, 883, G/883	-55	—	+125	°C
Thermal Impedance				
$\theta_{jc}$	—	6	—	°C/Watt
$\theta_{ca}$	—	23	—	°C/Watt
Storage Temperature Range	-65	—	+150	°C
Package Type	24-pin, metal-sealed, ceramic DDIP or SMT			
Weight	0.42 ounces (12 grams)			

**FUNCTIONAL SPECIFICATIONS**

(TA = +25°C, ±VDD = ±5V, 3MHz sampling rate, and a minimum 3 minute warmup ① unless otherwise specified.)

ANALOG INPUT	+25°C			0 to +70°C			-55 to +125°C			UNITS
	MIN.	TYP.	MAX.	MIN.	TYP.	MAX.	MIN.	TYP.	MAX.	
Input Voltage Range ②	—	±2	—	—	±2	—	—	±2	—	Volts
Input Resistance	—	280	—	—	280	—	—	280	—	Ω
Input Capacitance	—	6	15	—	6	15	—	6	15	pF
<b>DIGITAL INPUT</b>										
Logic Levels										
Logic "1"	+2.0	—	—	+2.0	—	—	+2.0	—	—	Volts
Logic "0"	—	—	+0.8	—	—	+0.8	—	—	+0.8	Volts
Logic Loading "1"	—	—	+20	—	—	+20	—	—	+20	μA
Logic Loading "0"	—	—	-20	—	—	-20	—	—	-20	μA
Start Convert Positive Pulse Width ③	10	20	—	10	20	—	10	20	—	ns
<b>STATIC PERFORMANCE</b>										
Resolution	—	14	—	—	14	—	—	14	—	Bits
Integral Nonlinearity (fin = 10kHz)	—	±0.75	—	—	±0.75	—	—	±1	—	LSB
Differential Nonlinearity (fin = 10kHz)	-0.95	±0.5	+1.25	-0.95	±0.5	+1.25	-0.95	±0.75	+1.5	LSB
Full Scale Absolute Accuracy	—	±0.15	±0.4	—	±0.15	±0.4	—	±0.4	±0.6	%FSR
Bipolar Zero Error (Tech Note 2)	—	±0.1	±0.3	—	±0.1	±0.3	—	±0.3	±0.6	%FSR
Gain Error (Tech Note 2)	—	±0.2	±0.5	—	±0.2	±0.5	—	±0.4	±1.25	%
No Missing Codes (fin = 10kHz)	14	—	—	14	—	—	14	—	—	Bits
<b>DYNAMIC PERFORMANCE</b>										
Peak Harmonics (-0.5dB)										
dc to 500kHz	—	-83	-77	—	-83	-77	—	-81	-75	dB
500kHz to 1MHz	—	-83	-77	—	-83	-77	—	-81	-75	dB
1MHz to 1.5MHz	—	-83	-77	—	-83	-77	—	-81	-75	dB
Total Harmonic Distortion (-0.5dB)										
dc to 500kHz	—	-80	-76	—	-80	-76	—	-78	-74	dB
500kHz to 1MHz	—	-80	-76	—	-80	-76	—	-77	-73	dB
1MHz to 1.5MHz	—	-80	-76	—	-80	-76	—	-77	-73	dB
Signal-to-Noise Ratio										
(w/o distortion, -0.5dB)										
dc to 500kHz	76	79	—	76	79	—	75	78	—	dB
500kHz to 1MHz	76	79	—	76	79	—	74	77	—	dB
1MHz to 1.5MHz	75	78	—	75	78	—	74	77	—	dB
Signal-to-Noise Ratio ④										
(& distortion, -0.5dB)										
dc to 500kHz	73	77	—	73	77	—	71	75	—	dB
500kHz to 1MHz	73	77	—	73	77	—	71	75	—	dB
1MHz to 1.5MHz	73	77	—	73	77	—	71	74	—	dB
Noise	—	125	—	—	125	—	—	125	—	μVrms
Two-Tone Intermodulation										
Distortion (fin = 975kHz, 1.2MHz, fs = 3MHz, -0.5dB)	—	-82	—	—	-82	—	—	-82	—	dB
Input Bandwidth (-3dB)										
Small Signal (-20dB input)	—	30	—	—	30	—	—	30	—	MHz
Large Signal (-0dB input)	—	10	—	—	10	—	—	10	—	MHz
Feedthrough Rejection (fin = 1.5MHz)	—	85	—	—	85	—	—	85	—	dB
Slew Rate	—	±400	—	—	±400	—	—	±400	—	V/μs
Aperture Delay Time	—	+5	—	—	+5	—	—	+5	—	ns
Aperture Uncertainty	—	2	—	—	2	—	—	2	—	ps rms

DYNAMIC PERFORMANCE cont.	+25°C			0 to +70°C			-55 to +125°C			UNITS
	MIN.	TYP.	MAX.	MIN.	TYP.	MAX.	MIN.	TYP.	MAX.	
S/H Acquisition Time (to ±0.003%FSR, 4V step)	—	208	215	—	208	215	—	208	215	ns
Overvoltage Recovery Time ⑥	—	100	333	—	100	333	—	100	333	ns
A/D Conversion Rate	3	—	—	3	—	—	3	—	—	MHz
<b>DIGITAL OUTPUTS</b>										
Logic Levels										
Logic "1"	+2.4	—	—	+2.4	—	—	+2.4	—	—	Volts
Logic "0"	—	—	+0.4	—	—	+0.4	—	—	+0.4	Volts
Logic Loading "1"	—	—	-4	—	—	-4	—	—	-4	mA
Logic Loading "0"	—	—	+4	—	—	+4	—	—	+4	mA
Output Coding	Offset Binary									
<b>POWER REQUIREMENTS</b>										
Power Supply Ranges ⑥										
+5V Supply	+4.75	+5.0	+5.25	+4.75	+5.0	+5.25	+4.9	+5.0	+5.25	Volts
-5V Supply	-4.75	-5.0	-5.25	-4.75	-5.0	-5.25	-4.9	-5.0	-5.25	Volts
Power Supply Currents										
+5V Supply	—	+210	+230	—	+210	+230	—	+210	+230	mA
-5V Supply	—	-125	-145	—	-125	-145	—	-125	-145	mA
Power Dissipation	—	1.7	1.9	—	1.7	1.9	—	1.7	1.9	Watts
Power Supply Rejection	—	—	±0.05	—	—	±0.05	—	—	±0.05	%FSR/%V
<b>Footnotes:</b>										
① All power supplies should be on before applying a start convert pulse. All supplies and the clock (start convert pulses) must be present during warmup periods. The device must be continuously converting during this time.						④ Effective bits is equal to: $\frac{(\text{SNR} + \text{Distortion}) - 1.76 + \left[ 20 \log \frac{\text{Full Scale Amplitude}}{\text{Actual Input Amplitude}} \right]}{6.02}$				
② Contact DATTEL for other input voltage ranges.						⑤ This is the time required before the A/D output data is valid once the analog input is back within the specified range. This time is only guaranteed if the input does not exceed ±2.2V (S/H Saturation Voltage).				
③ A 3MHz clock with a 20nsec positive pulse width is used for all production testing. When sampling at 3MHz, the start convert pulse must be between 10 and 110nsec wide or between 160 and 300nsec wide. The falling edge must not occur between 110 and 160nsec. For lower sampling rates, wider start pulses may be used.						⑥ The minimum supply voltages of +4.9V and -4.9V for ±V <sub>DD</sub> are required for -55°C operation only. The minimum limits are +4.75V and -4.75V when operating at +125°C.				

**TECHNICAL NOTES**

1. Obtaining fully specified performance from the ADS-943 requires careful attention to pc-card layout and power supply decoupling. The device's analog and digital ground systems are connected to each other internally. For optimal performance, tie all ground pins (14, 19 and 24) directly to a large **analog** ground plane beneath the package.

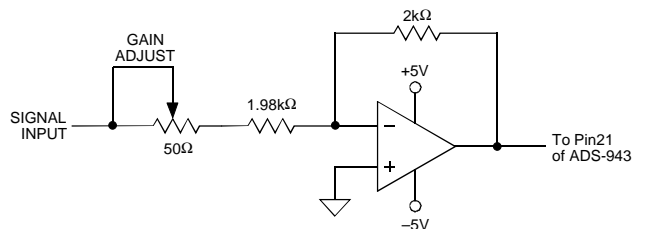
Bypass all power supplies to ground with 4.7µF tantalum capacitors in parallel with 0.1µF ceramic capacitors. Locate the bypass capacitors as close to the unit as possible.

2. The ADS-943 achieves its specified accuracies without the need for external calibration. If required, the device's small initial offset and gain errors can be reduced to zero using the adjustment circuitry shown in Figures 2 and 3.

When using this circuitry, or any similar offset and gain-calibration hardware, make adjustments following warmup. To avoid interaction, always adjust offset before gain.

3. Applying a start convert pulse while a conversion is in progress (EOC = logic "1") will initiate a new and inaccurate conversion cycle. Data for the interrupted and subsequent conversions will be invalid.

4. A passive bandpass filter is used at the input of the A/D for all production testing.



**Figure 2. Optional ADS-943 Gain Adjust Calibration Circuit**

**CALIBRATION PROCEDURE**

Any offset and/or gain calibration procedures should not be implemented until devices are fully warmed up. To avoid interaction, offset must be adjusted before gain. The ranges of adjustment for the circuits in Figures 2 and 3 are guaranteed to compensate for the ADS-943's initial accuracy errors and may not be able to compensate for additional system errors.

A/D converters are calibrated by positioning their digital outputs exactly on the transition point between two adjacent digital output codes. This can be accomplished by connecting LED's to the digital outputs and adjusting until certain LED's "flicker" equally between on and off. Other approaches employ digital comparators or microcontrollers to detect when the outputs change from one code to the next.

Offset adjusting for the ADS-943 is normally accomplished at the point where the MSB is a 1 and all other output bits are 0's and the LSB just changes from a 0 to a 1. This digital output transition ideally occurs when the applied analog input is  $\pm\frac{1}{2}$  LSB ( $\pm 122\mu\text{V}$ ).

Gain adjusting is accomplished when all bits are 1's and the LSB just changes from a 1 to a 0. This transition ideally occurs when the analog input is at +full scale minus  $\frac{1}{2}$  LSB's ( $+1.99963\text{V}$ ).

**Zero/Offset Adjust Procedure**

1. Apply a train of pulses to the START CONVERT input (pin 18) so the converter is continuously converting.
2. Apply  $+122\mu\text{V}$  to the ANALOG INPUT (pin 21).
3. Adjust the offset potentiometer until the output bits are 10 0000 0000 0000 and the LSB flickers between 0 and 1.

**Gain Adjust Procedure**

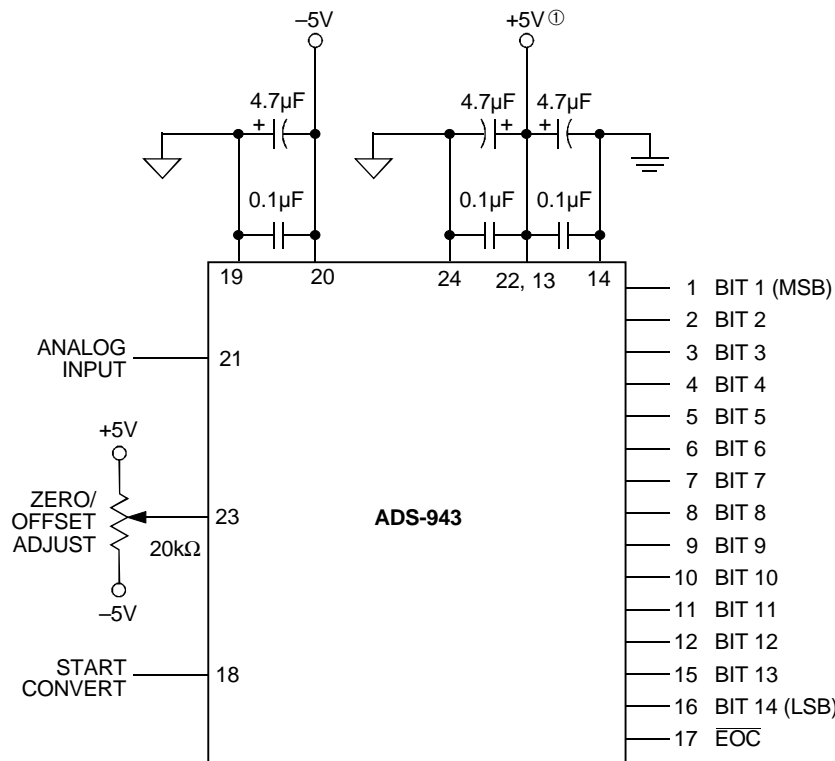
1. Apply  $+1.99963\text{V}$  to the ANALOG INPUT (pin 21).
2. Adjust the gain potentiometer until all output bits are 1's and the LSB flickers between 1 and 0.
3. To confirm proper operation of the device, vary the input signal to obtain the output coding listed in Table 2.

Table 1. Gain and Zero Adjust

INPUT VOLTAGE RANGE	ZERO ADJUST $\pm\frac{1}{2}$ LSB	GAIN ADJUST $+\text{FS} - \frac{1}{2}$ LSB
$\pm 2\text{V}$	$+122\mu\text{V}$	$+1.99963\text{V}$

Table 2. Output Coding for Bipolar Operation

BIPOLAR SCALE	INPUT VOLTAGE ( $\pm 2\text{V}$ RANGE)	OFFSET BINARY	
		MSB	LSB
$+\text{FS} - 1$ LSB	$+1.99976$	11	1111 1111 1111
$+\frac{3}{4}\text{FS}$	$+1.50000$	11	1000 0000 0000
$+\frac{1}{2}\text{FS}$	$+1.00000$	11	0000 0000 0000
0	$0.00000$	10	0000 0000 0000
$-\frac{1}{2}\text{FS}$	$-1.00000$	01	0000 0000 0000
$-\frac{3}{4}\text{FS}$	$-1.50000$	00	1000 0000 0000
$-\text{FS} + 1$ LSB	$1.99976$	00	0000 0000 0001
$-\text{FS}$	$-2.00000$	00	0000 0000 0000



① A single +5V supply should be used for both the +5V analog and +5V digital. If separate supplies are used, the difference between the two cannot exceed 100mV.

Figure 3. Connection Diagram

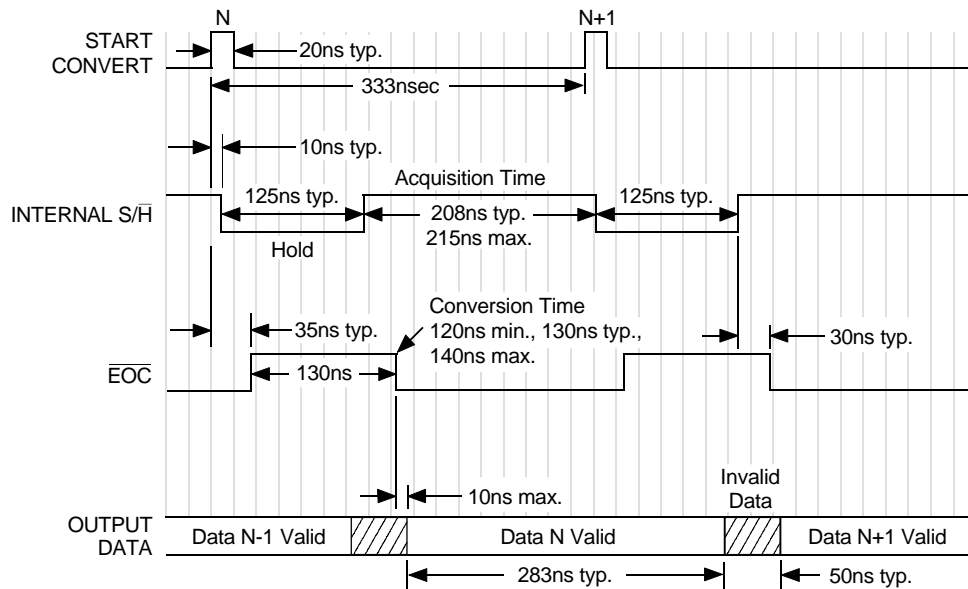
**THERMAL REQUIREMENTS**

All DATEL sampling A/D converters are fully characterized and specified over operating temperature (case) ranges of 0 to +70°C and -55 to +125°C. All room-temperature (T<sub>A</sub> = +25°C) production testing is performed without the use of heat sinks or forced-air cooling. Thermal impedance figures for each device are listed in their respective specification tables.

These devices do not normally require heat sinks, however, standard precautionary design and layout procedures should be used to ensure devices do not overheat. The ground and power planes beneath the package, as well as all pcb signal runs to and from the device, should be as heavy as possible to help conduct heat away from the package.

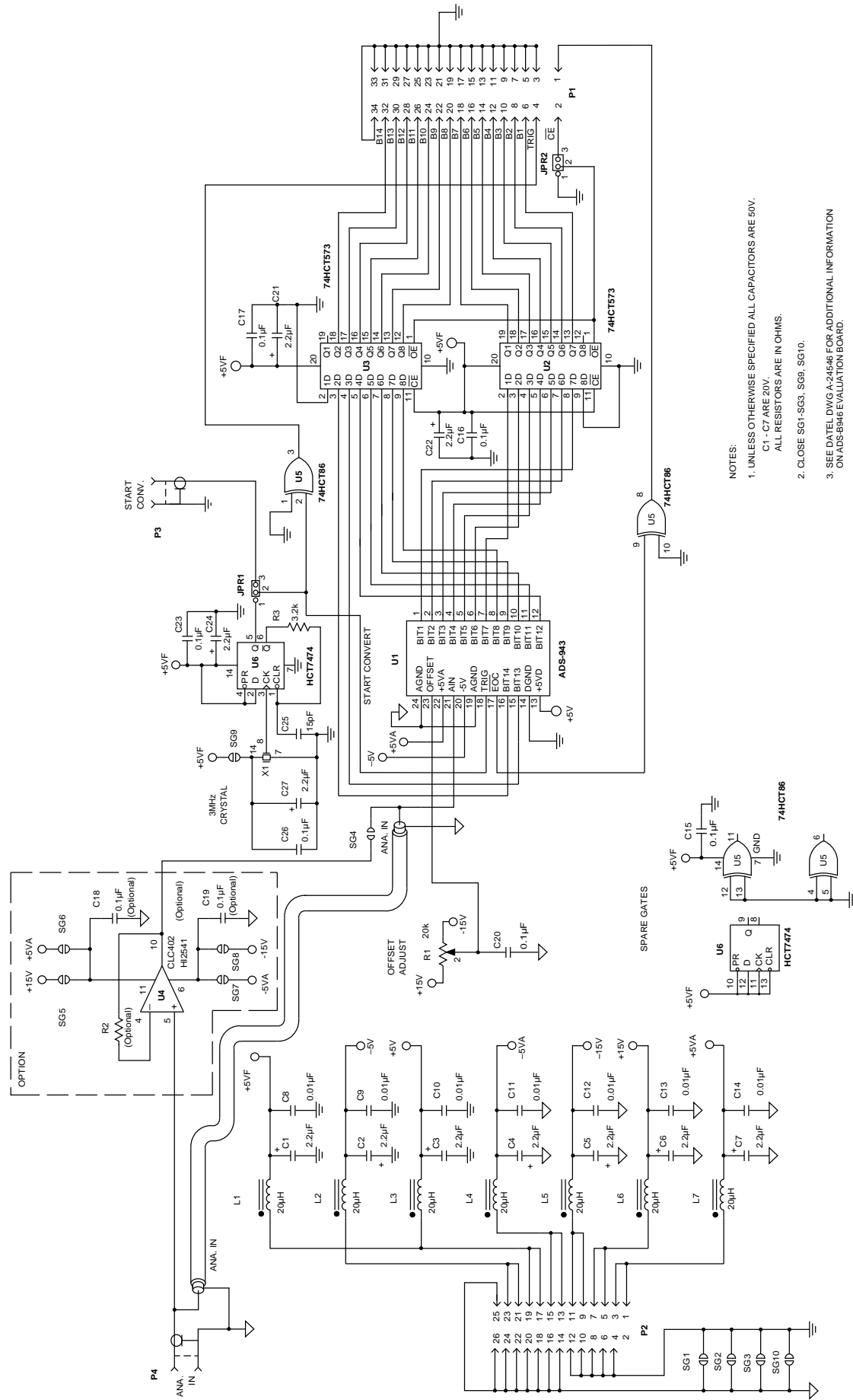
Electrically-insulating, thermally-conductive "pads" may be installed underneath the package. Devices should be soldered to boards rather than "socketed", and of course, minimal air flow over the surface can greatly help reduce the package temperature.

In more severe ambient conditions, the package/junction temperature of a given device can be reduced dramatically (typically 35%) by using one of DATEL's HS Series heat sinks. See Ordering Information for the assigned part number. See page 1-183 of the DATEL Data Acquisition Components Catalog for more information on the HS Series. Request DATEL Application Note AN-8, "Heat Sinks for DIP Data Converters", or contact DATEL directly, for additional information.



- Note: 1. Scale is approximately 20ns per division. Sampling rate = 3MHz.  
 2. The start convert positive pulse width must be between either 10 and 110nsec or 160 and 300nsec (when sampling at 3MHz) to ensure proper operation. For sampling rates lower than 3MHz, the start pulse can be wider than 300nsec, however a minimum pulse width low of 30nsec should be maintained. A 3MHz clock with a 20nsec positive pulse width is used for all production testing.

**Figure 4. ADS-943 Timing Diagram**



- NOTES:
1. UNLESS OTHERWISE SPECIFIED ALL CAPACITORS ARE 50V.  
C1 - C7 ARE 20V.  
ALL RESISTORS ARE IN OHMS.
  2. CLOSE SG1-SG3, SG9, SG10.
  3. SEE DATEL DWG A-24546 FOR ADDITIONAL INFORMATION ON ADS-943 EVALUATION BOARD.

Figure 5. ADS-943 Evaluation Board Schematic

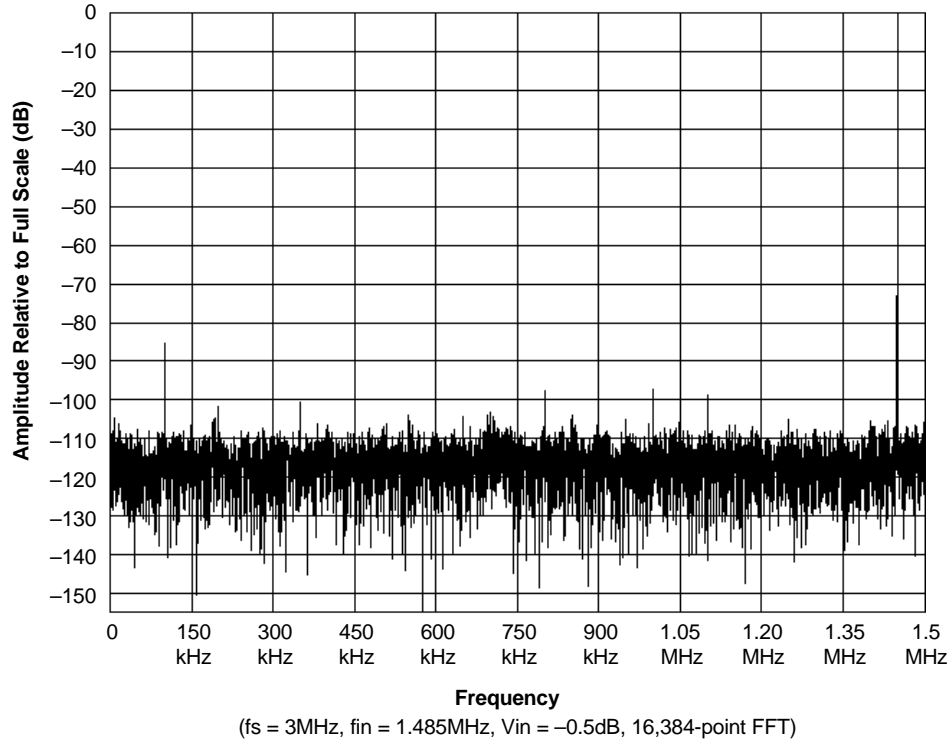


Figure 6. FFT Analysis of ADS-943

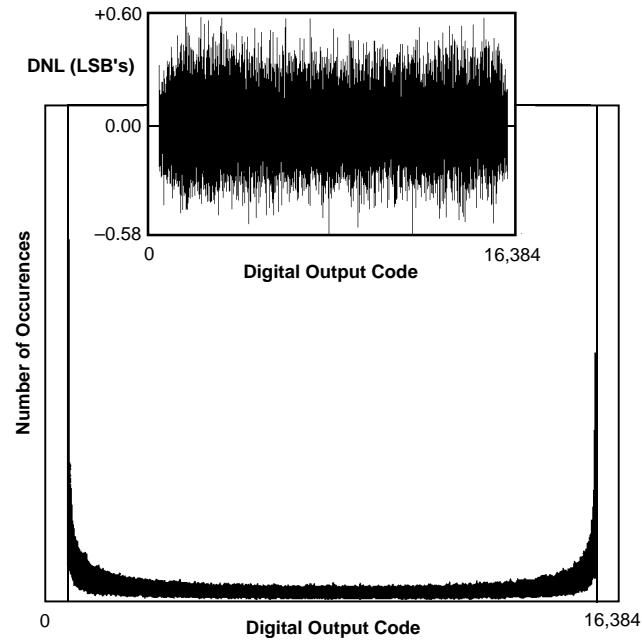
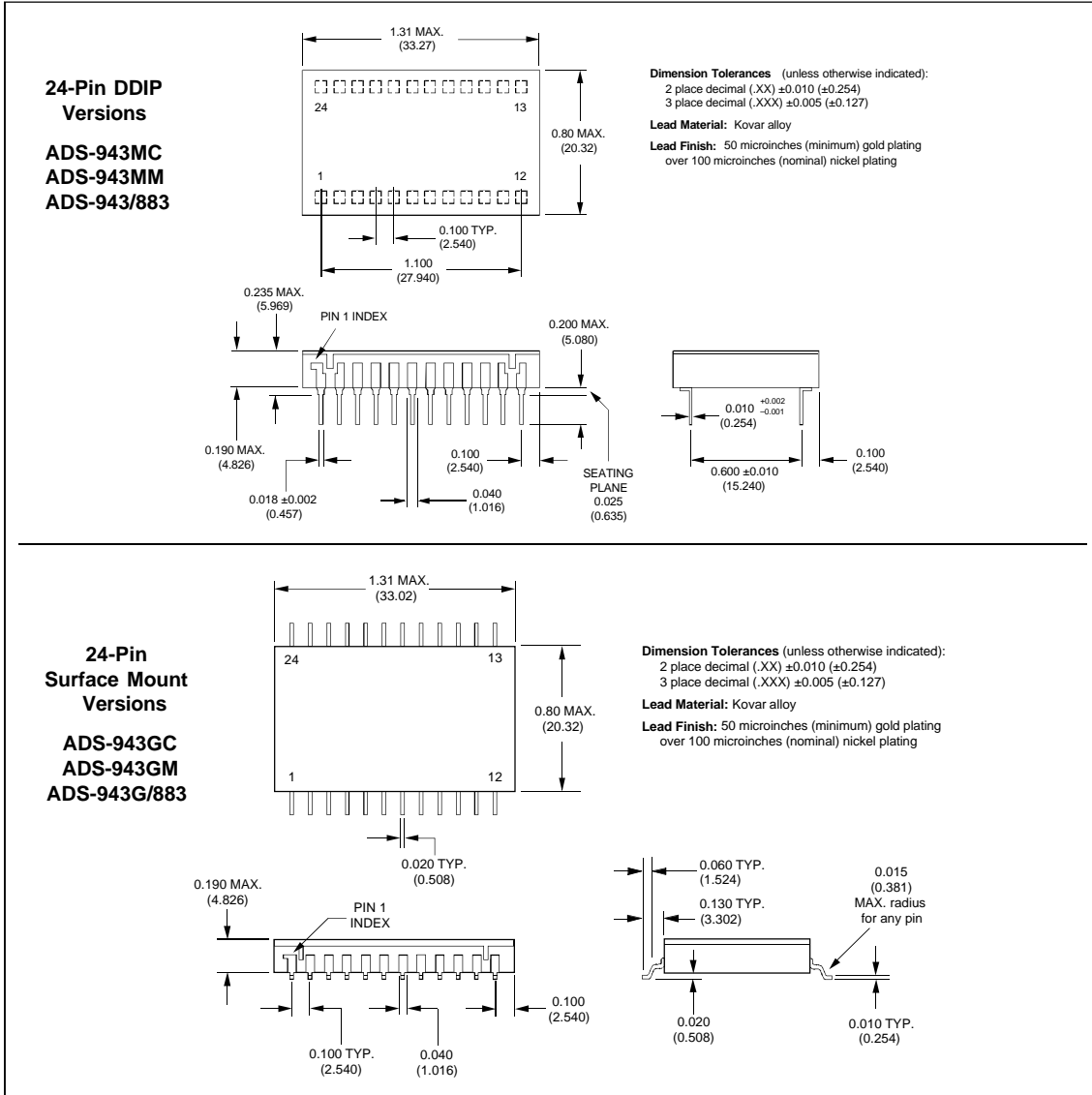


Figure 7. ADS-943 Histogram and Differential Nonlinearity

**MECHANICAL DIMENSIONS INCHES (mm)**



**ORDERING INFORMATION**

MODEL	OPERATING TEMP. RANGE	24-PIN PACKAGE	ACCESSORIES
ADS-943MC	0 to +70°C	DDIP	ADS-B943 Evaluation Board (without ADS-943) HS-24 Heat Sink for all ADS-943 DDIP models
ADS-943MM	-55 to +125°C	DDIP	
ADS-943/883	-55 to +125°C	DDIP	
ADS-943GC	0 to +70°C	SMT	
ADS-943GM	-55 to +125°C	SMT	
ADS-943G/883	-55 to +125°C	SMT	

Receptacles for PC board mounting can be ordered through AMP, Inc., Part # 3-331272-8 (Component Lead Socket), 24 required. For MIL-STD-883 product specification, contact DATEL.