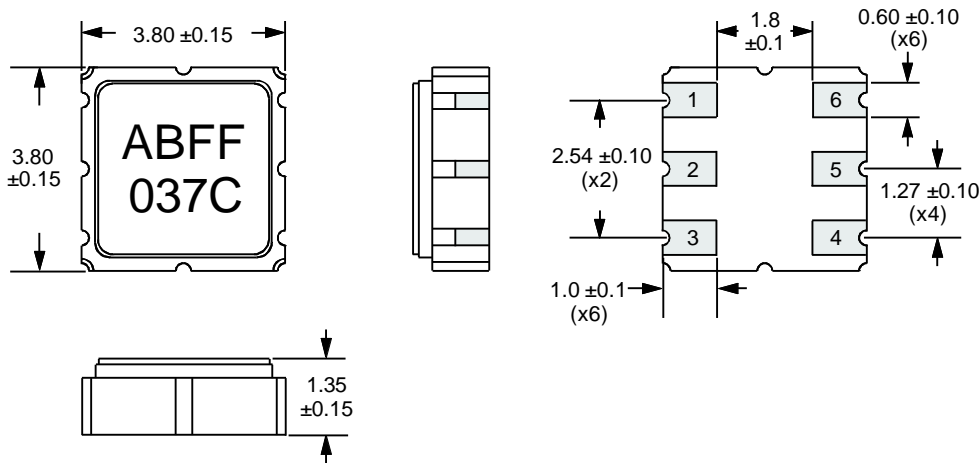


STANDARD SPECIFICATIONS

Parameter	Condition	Minimum	Typical	Maximum
Center Frequency (MHz):	-	-	935.50	-
Passband Width (MHz):	-	-	±6.50	-
Insertion Loss (dB):	929.0MHz - 942.0MHz	-	3.00	4.00
Passband Ripple (dB):	929.0MHz - 942.0MHz	-	1.20	2.00
Attenuation (dB):	Fo-300.0MHz to Fo-50.0MHz	40.00	45.00	-
	Fo+50.0MHz to Fo+300.0MHz	40.00	45.00	-
Operating Temperature Range (°C):	-	-10	25	50
Storage Temperature Range (°C):	-	-30	25	80
Input Power (in Passband)(dBm):	-	-	-	10.0
DC Voltage (Vdc):	-	-	-	10.0
Termination Source Impedance (Ohms):	-	-	50	-
Termination Load Impedance (Ohms):	-	-	50	-

Comments: Unless otherwise specified, all of the above specifications are under the following conditions:
 Operating Temperature = -10°C to +50°C

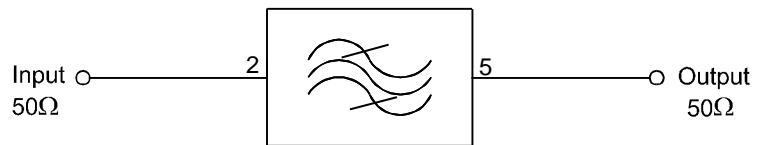
MECHANICAL DIMENSIONS



Pin	Function
1	Ground
2	Input
3-4	Ground
5	Output
6	Ground

ALL DIMENSIONS
IN MILLIMETERS

MATCHING NETWORK DIAGRAM



MARKING GUIDE

Line 1: ABFF
 Line 2: 037C



Part Number: ABFF037C

3545-B Cadillac Avenue • Costa Mesa, CA 92626-1401 • (714) 918-4752 • Fax (714) 918-4760