

## 5x5mm

## No. A500/A501/A502

This product is not recommended for new designs. Please refer to Littelfuse series SL1002.



## 2-electrode (5kA/5A)

### Mini Series

#### Features

- Non-radioactive
- Lead Free
- For limited space applications
- Smallest 2-electrode Gas tube

#### Applications

- Telecommunication
- Computer Equipment
- Sensor Protection
- TV Cable Modem

#### Standard

- UL-497B
- complies to ITU-T K.12 (formerly CCITT)
- complies to DIN 57845/VDE 0845

#### Approvals

- UL-rec.

#### WebLinks

- Further info see:**  
[http://www.wickmanngroup.com/download/orderinfo\\_surgearr.pdf](http://www.wickmanngroup.com/download/orderinfo_surgearr.pdf)  
[http://www.wickmanngroup.com/download/crossref\\_surgearr.pdf](http://www.wickmanngroup.com/download/crossref_surgearr.pdf)

## Specifications

#### Packaging

- A500: 00=Bulk (1.000 pcs.)
- A501: 01=Reel (1.000 pcs.)
- A502: 02=Blister Tape (900 pcs.)

#### Materials

- Housing: Ceramic
- Gas: non-radioactive
- Leads: tin plated

#### Arc Voltage @ 1A

~ 15V

#### Transition Glow to Arc

@ ~ 0.8A

#### Operating temperature

-40°C to +90°C

#### Climatic Category

- complies to IEC 60068-1
- +40°C, 21 days, <93% humidity

#### Soldering characteristics

complies to IEC 60068-2-20 (A501)

#### Soldering Heat Resistance

complies to IEC 60068-2-58

#### Marking

Ⓜ, Type, Nom. Voltage, Date

#### Unit Weight

ca. g



### Characteristics

Type/ Order Code	DC sparkover voltage	Tolerance	Impulse sparkover voltage (1kV/μs) typ.	Glow Voltage	Insulation Resistance (@100 Vdc or @50Vdc for 90V)	Capacitance (@1MHZ)	8/20μs Nominal Impulse Discharge Current (10 times)	8/20μs Single Impulse Discharge Current (1 time)	AC Nominal Discharge Current (50Hz; 1s; (10 times)	AC Alternating Discharge Current (50Hz; (9 cycles)	Approval
A500 SO 0090 01 00 A501 SO 0090 01 01 A502 SO 0090 01 02	90V	+/- 20%	< 550V	~ 60V	> 1GΩ	< 1.0 pF	5kA	10kA	5A	10A	•
A500 SO 0230 01 00 A501 SO 0230 01 01 A502 SO 0230 01 02	230V	+/- 20%	< 600V	~ 60V	> 1GΩ	< 1.0 pF	5kA	10kA	5A	10A	•
A500 SO 0350 01 00 A501 SO 0350 01 01 A502 SO 0350 01 02	350V	+/- 20%	< 800V	~ 60V	> 1GΩ	< 1.0 pF	5kA	10kA	5A	10A	•
A500 SO 0600 01 00 A501 SO 0600 01 01 A502 SO 0600 01 02	600V	+/- 20%	< 1.350V	~ 60V	> 1GΩ	< 1.0 pF	5kA	10kA	5A	10A	•

other values on request

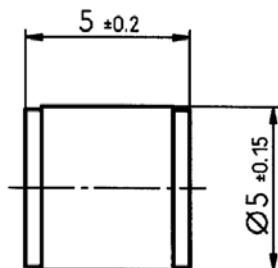
Specifications are subject to change without notice.

**Order Example**

Qty.	Order- Number	Type	Failsafe Option	Sparkover Volt.	Tolerance	Packaging
		A500	S0	0090	01	00

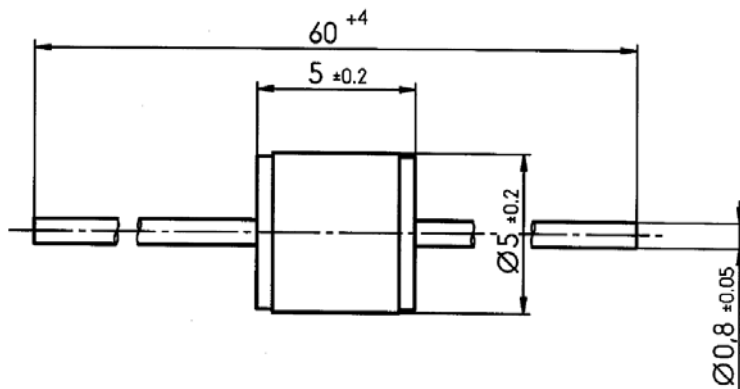
## Dimensions (mm) A500/A501/A502

A500

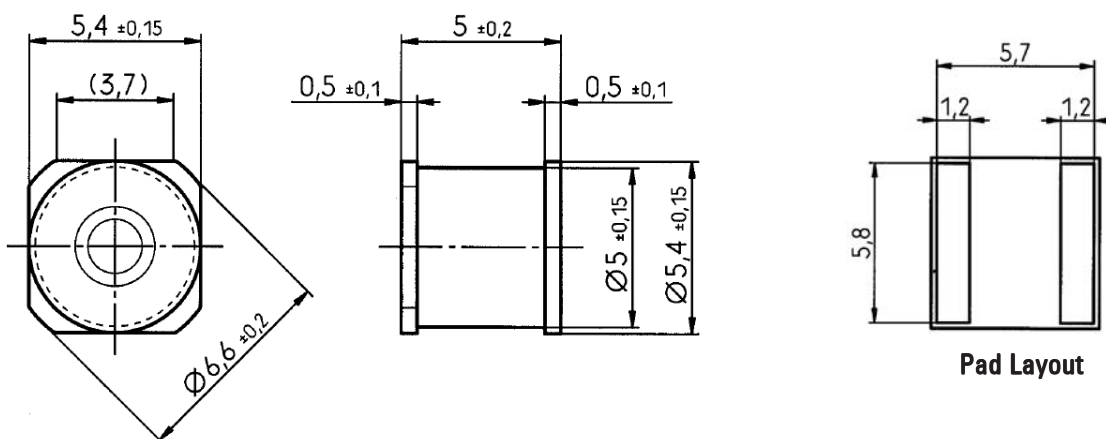


Nickel plated

A501



A502



Pad Layout