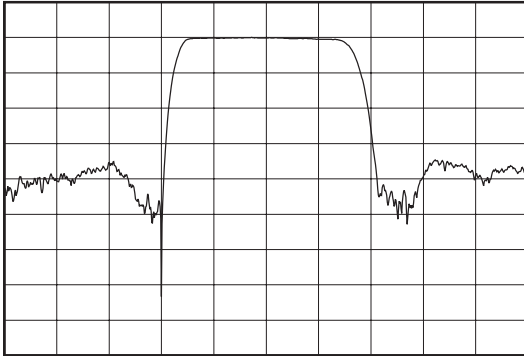
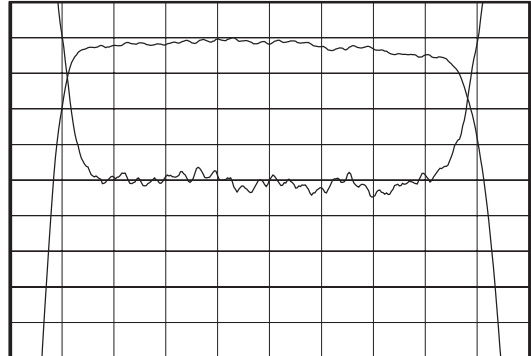


Data Sheet

Typical Performance



Horizontal: 2.5 MHz/Div
Vertical: 10 dB/Div



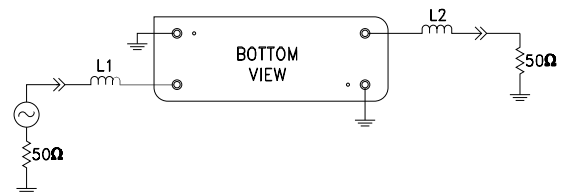
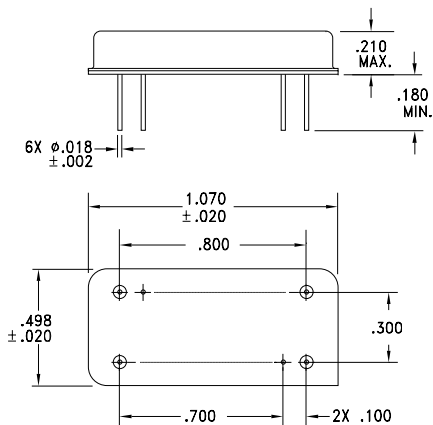
Horizontal: 1 MHz/Div
Vertical: 1 dB/Div
Vertical: 2 deg/Div

Specifications

Parameter	Unit	Minimum	Typical	Maximum
Center Frequency	MHz	-	36.15	-
Insertion Loss at 36.15 MHz	dB	-	20.59	22
3 dB Lower Frequency	MHz	-	-	32.15
3 dB Upper Frequency	MHz	40.15	-	-
3 dB Bandwidth	MHz	-	8.14	-
38 dB Bandwidth	MHz	-	10.13	10.226
Passband Variation (70% of 3 dB BW)	dB p-p	-	0.51	0.7
Phase Linearity (70% of 3 dB BW)	deg p-p	-	0.91	3
Group Delay Variation (70% of 3 dB BW)	nsec	-	30.69	60
Absolute Delay	μsec	-	1.75	-
Triple Transit Suppression	dB	42	50.83	-
Ambient Temperature	°C	-	25	-

Package Outline
Matching Configuration

Specifications subject to change or obsolescence without notice.



L1 = 150 nH , L2 = 150 nH
Nominal Source/Load Impedance = 50Ω
Package Style O

1/11/00