

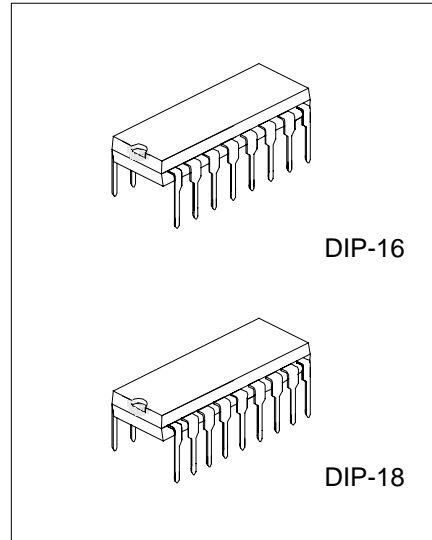
8 FUNCTIONS
XMAS LIGHT CONTROL

FEATURES

- * 8 functions
- * Rotary switch select
- * Built in PLL,50/60Hz auto detect.

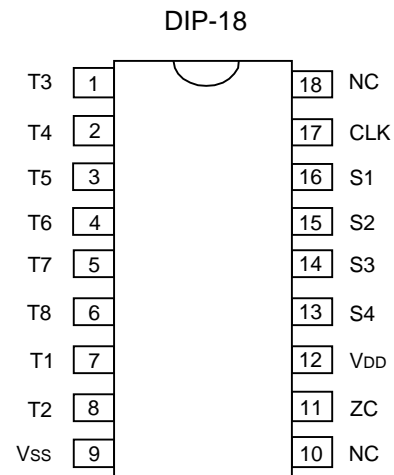
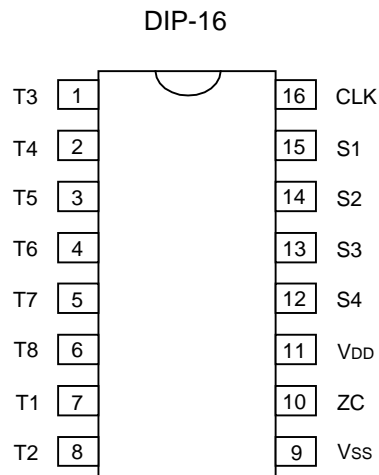
APPLICATION

- * Xmas light control ,any AC control toys.



* Pb-free plating product number: 8156L

PIN CONFIGURATION



MODE FUNCTIONS

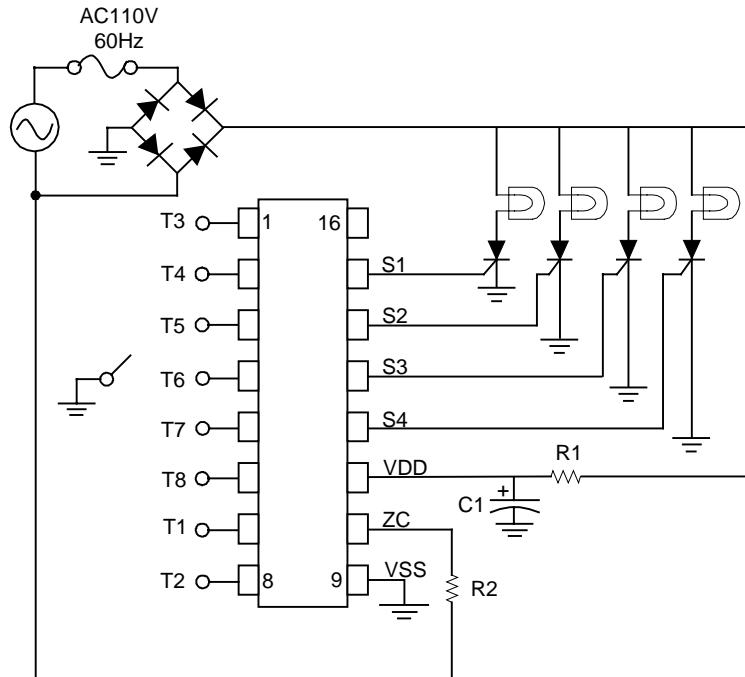
MODE	FUNCTIONS
1	AUTO SCAN MODE 2 TO MODE 7
2	IN WAVES
3	SEQUENTIAL
4	SLO-GOL
5	CHASING / FLASH
6	SLOW FADE
7	TWINKLE / FLASH
8	STEADY ON

ELECTRICAL CHARACTERISTICS (@VDD=4V unless otherwise specified)

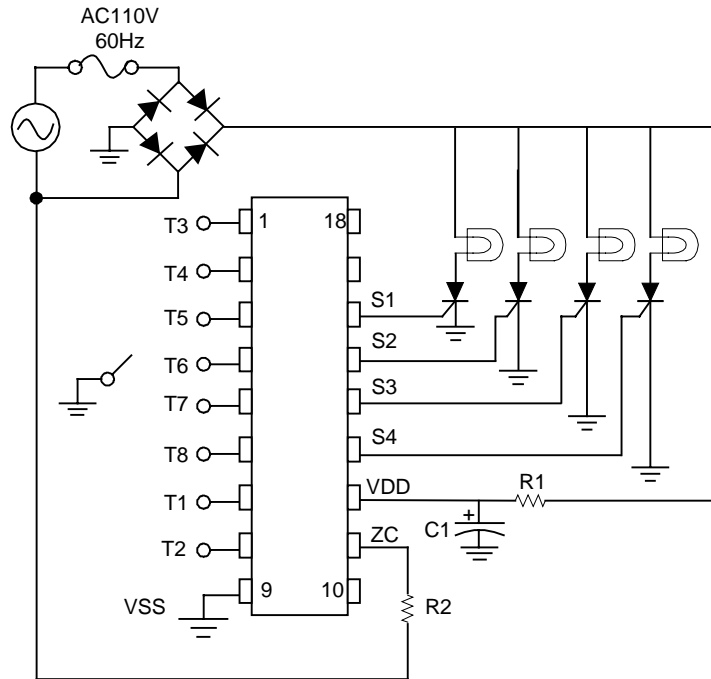
PARAMETER	SYMBOL	TEST CONDITIONS	MIN.	TYP.	MAX.	UNIT
Operating Voltage	VDD			4		V
Operating Current	Iop	No load			2	mA
Oscillator Frequency	Fosc	± 30% TOL.		250		KHz
Operating Temperature	Topr.		0	25	60	°C

APPLICATION DIAGRAM

DIP-16

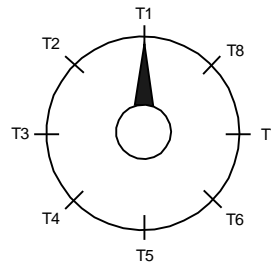


DIP-18

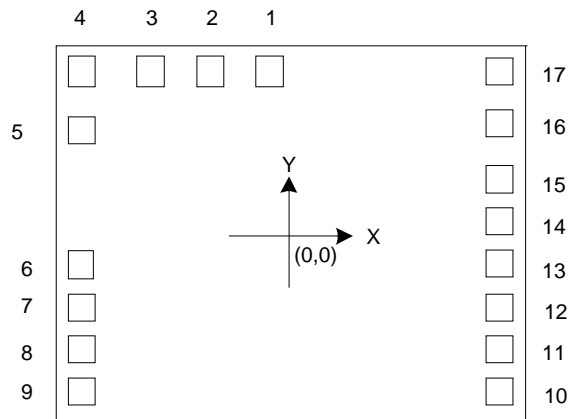


8-STEP SWITCH

	AC110V 60Hz	AC220V 50Hz	AC24V 50Hz
R1	82K	180K	200K
R2	1M	1M	1M
C1	47 μ /16V	47 μ /16V	47 μ /16V



PAD ASSIGNMENT & POSITION



CHIP SIZE: 1.56 x 1.24 mm²

SUBSTRATE: VDD

NO	NAME	X	Y
1	S4	-73.2	529.6
2	S3	-268.3	529.6
3	S2	-467.3	529.6
4	S1	-690.7	530.9
5	CLK	-690.7	335.8
6	T3	-690.7	-108.7
7	T4	-690.7	-248.7
8	T5	-690.7	-388.7
9	T6	-690.7	-528.7
10	T7	691.5	-528.7
11	T8	691.5	-388.7
12	T1	691.5	-248.7
13	T2	691.5	-108.7
14	VSS	691.5	31.3
15	TEST	691.5	171.3
16	ZC	691.5	351.6
17	VDD	691.5	526.3

UNIT:um

UTC assumes no responsibility for equipment failures that result from using products at values that exceed, even momentarily, rated values (such as maximum ratings, operating condition ranges, or other parameters) listed in products specifications of any and all UTC products described or contained herein. UTC products are not designed for use in life support appliances, devices or systems where malfunction of these products can be reasonably expected to result in personal injury. Reproduction in whole or in part is prohibited without the prior written consent of the copyright owner. The information presented in this document does not form part of any quotation or contract, is believed to be accurate and reliable and may be changed without notice.