

Target Specification

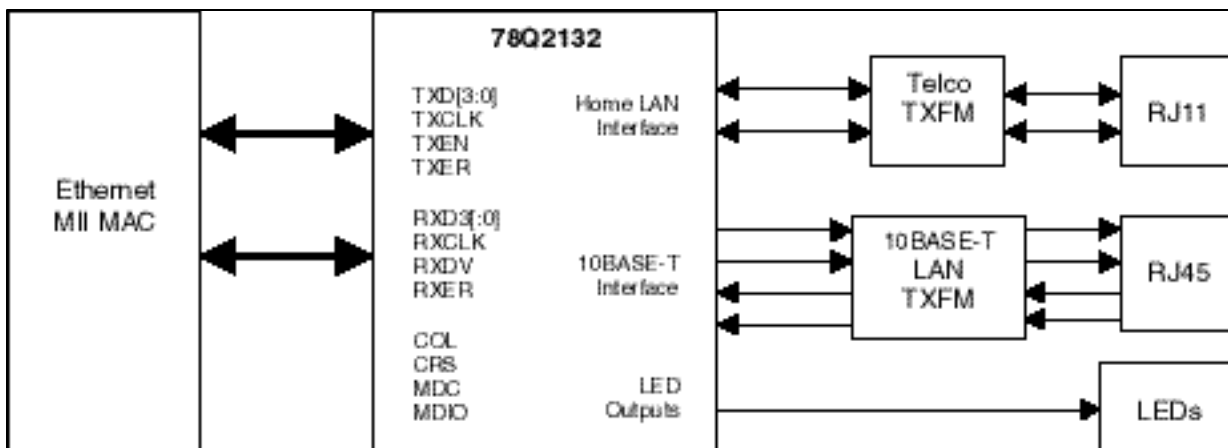
August 2000

DESCRIPTION

The 78Q2132 is a 1/10 Ethernet transceiver. This dual speed transceiver interfaces to a 1Mbps Home LAN and a 10BASE-T network. The Home LAN interface is fully Home Phoneline Networking Alliance (HomePNA) compliant extending Ethernet over POTS. The HomePNA interface includes the pulse encoder and decoder plus transmit and receive line interface filters. Only a telco transformer and external protection devices are required to complete the interface. The 78Q2132 also integrates MII and General Purpose Serial Interface (GPSI) MAC interfaces. The 10BASE-T Ethernet channel includes Manchester ENDEC and transmitter with an on-chip pulse-shaper and a low-power line driver. The 10BASE-T transceiver interfaces to Category-3 unshielded twisted pair (Cat-3 UTP) cabling. The HomePNA port is connected to the line via a HomePNA compatible 1:1 transformer having a series capacitor in the line side and the Ethernet port is connected to the line via 1:1 (Rx) and 1.414:1 (Tx) isolation transformers. No external filtering is required. Communication to the MAC is accomplished through an IEEE-802.3 compliant media independent interface (MII) or GPSI. The product is designed for high performance and low power operation, and can operate from a single 3.3 V or 5 V supply.

FEATURES

- **1M8 Home LAN interface over POTS**
- **HomePNA 1.1 compliant**
- **Integrated HomePNA interface and line filters**
- **Simultaneous Spectral Compatibility with Voice, Fax, ISDN, xDSL, Cable Modem with HomePNA**
- **10BASE-T IEEE-802.3 compliant TX and RX functions requiring only a dual isolation transformer interface to the line**
- **Integrated MII, GPSI and 10BASE-T ENDEC**
- **Full duplex operation capable in 10BASE-T**
- **Automatic polarity correction for 10BASE-T signal reception**
- **Power-saving and power-down modes including transmitter disable**
- **Operates with a single 3.3V or 5V supply**
- **LINK, TX, RX, COL, 10, 1, FDX/SPD, PWR LED indicators**
- **User programmable Interrupt pin**
- **General Purpose I/O Interface**
- **80-Lead or 64-Lead TQFP package**

TYPICAL APPLICATION DIAGRAM


78Q2132

1/10BASE-TX

HomePNA/Ethernet Transceiver

FUNCTIONAL DESCRIPTION

GENERAL

Supply Voltage

The 78Q2132 can operate from either a single 3.3V ($\pm 0.3V$) or 5.0V ($\pm 0.5V$) power supply. The chip automatically adapts to the supply voltage used. No pin configuration is required.

Power Management

Chip power-down is activated by setting the PWRDN bit in the MII register (MR0.11) or pulling high the PWRDN pin. When the chip is in power-down mode, all on-chip circuitry is shut off, and the device consumes minimum power. While in power-down state, the 78Q2132 still responds to the management transactions.

Analog Biasing

The 78Q2132 uses the onchip bandgap and an external resistor to generate accurate bias voltages and currents for the circuitry.

Clock Input

The 78Q2132 can use the on-chip crystal oscillator. In this mode a 25MHz crystal is connected between the XTAL_IN and XTAL_OUT pins. Alternatively, an externally generated 25MHz clock can be connected to the XTAL_IN pin. In conjunction with the oscillator the device uses a PLLOSC to generate 60MHz which is divided down by 3 to create 20MHz. It is further divided for use by various functions on the chip. The HomePNA section uses the time unit, TIC defined as 60MHz/7 (approx. 116.6ns).

HOME PNA OPERATION

HomePNA Transmit

The 78Q2132 contains all of the necessary pulse waveform circuitry to convert the transmit signaling from a MAC to a HomePNA compliant data-stream. The conversion is from either a 4bit parallel data word via the MII interface or the serial data-stream from GSPi interface to a serial data stream to a RLL25 encoded set of 3 to 6bits. The value created, between 0 and 24, is used to modulate the time, in TIC increments, between pulse bursts. The pulse bursts are filtered to bandlimit the signal passed to the line driver, and to the line for transmission. The integrated envelop-shaper reduces out-of-band energy to reduce interference. The line driver requires an external 1:1 isolation transformer to

interface with the line media. Only an external transient protector and a couple of EMI suppression inductors are required with the transformer. Note the transformer requires a coupling capacitor on the line side.

The 78Q2132 conforms to the required envelope for transmission bursts on the line. See Figure 6 for the detail of a single pulse burst signal.

The output is fed to a bandpass filter to reduce out-of-band components. When not transmitting the transmit circuitry is put into a mode that rejects common-mode signals appearing at the receiver input.

HomePNA Receive

The 78Q2132 receives the encoded digital signal through the same 1:1 transformer used for transmission. The signal is internally filtered and compared to an adjusted noise threshold prior to being decoded. From the resulting signal and internal time reference a value is assigned to the time interval. The value is RLL25 decoded and the bit-stream is presented to the serial to parallel converter. The parallel data from the converter is then aligned and mapped as a 4 bit data for the MII as outlined in Table 24-1 in Clause 24 of IEEE-802.3 or sent to the serial GSPi interface.

The receive channel consists of a prefilter, AGC/main filter, FWR, LPF and comparator with adjustable level. Following the prefilter is a 2-level AGC that compresses the dynamic range requirements of the signal prior to going through the main HomePNA receive filter.

Natural Loopback

When the 78Q2132 is transmitting on the twisted pair media, data on the TXD pins is looped back onto the RXD pins. The natural loopback function can be disabled through register bit MR16.10.

REFERENCE PACKET FRAMING AND SEQUENCE

The frame passed between the MAC and 1M8 PHY on TX-DATA and RX-DATA conforms to the 802.3 Ethernet MAC frame. When a pulse begins transmission, the previous Symbol interval ends and a new one immediately begins.

The Run Length Limit (RLL25) code was developed for the 1M8 PHY. It produces both the highest bit rate for a given value of Inter Symbol Blanking Interval (ISBI) and Time Interval Clock (TIC) size. In a manner similar to run length limited disk coding, RLL25 encodes data bits in groups of varying sizes,

78Q2132 1/10BASE-TX HomePNA/Ethernet Transceiver

specifically, 3,4,5 and 6 bits. Pulse positions are assigned to the encoded bit groups in a manner that causes more data bits to be encoded in positions that are farther apart. This keeps both the average and minimum bit rates higher.

HomePNA 1.1 Compatibility

MR19.11 will reflect the version of HomePNA to be utilized to set the Link Status bit MR1.2. When MR19.11 is a logic zero, the device will behave as a HomePNA v1.0 compliant PHY. This will result in the Link Status bit MR1.2 always being logic one. If MR19.11 is set to logic one, the device will behave as a HomePNA 1.1 compliant PHY.

To enable link integrity checking as specified by HomePNA v1.1, the PHY continually checks for packet reception. Upon a lapse of packets greater than 4seconds, the link status bit, MR1.2, is cleared.

Also, for HomePNA v1.1 compatibility, the PHY can be commanded to place a RUNT or MINIMUM packet out at any time. These packets, along with normal packets, indicate to other transceivers that the link is up when sent at least every 2seconds.

10BASE-T OPERATION

10BASE-T Transmit

The 78Q2132 takes 4 bit parallel NRZ data via the MII interface and passes it through a parallel to serial converter. The data is then passed through a Manchester encoder and then on to the twisted pair pulse shaping circuitry and the twisted pair drive circuitry. An advanced pulse shaper employs a Gm-C filter to pre-distort the output waveform to meet the output voltage template and spectral content requirements detailed in Clause 14 of IEEE-802.3. Interface to the twisted pair media is through a center-tapped 1.414:1 transformer with 100 ohm load resistors; no external filtering is required. During 10BASE-T idle periods, normal link pulses (NLP) are transmitted. During auto-negotiation of half or full duplex, fast link pulses (FLP) are transmitted. When neither data nor link pulses are being transmitted, the bias current to the transmitter is cut to 1% of normal. This reduces the power consumption during idle periods.

The 78Q2132 employs an onboard timer to prevent the MAC from capturing a network through excessively long transmissions. When this timer is exceeded the chip enters the Jabber State, and transmission is disabled. The jabber state is exited after the MII goes idle for 500ms \pm 250ms.

10BASE-T Receive

The 78Q2132 receives Manchester encoded 10BASE-T data through the twisted pair inputs and re-establishes logic levels through a slicer with a smart squelch function. The slicer automatically adjusts its level after valid data with the appropriate levels are detected. Data is passed on to the 10BASE-T PLL where the clock is recovered, data is re-timed and passed through a Manchester decoder. From here data enters the serial to parallel converter for transmission to the MAC via the media independent interface. Interface to the twisted pair media is through an external 100 ohm resistor and a 1:1 center-tapped transformer; no external filtering is required. Polarity information is detected and corrected in the internal circuitry.

Receive Signal

The integrated signal qualifier has separate squelch and un-squelch thresholds, and includes a built-in timer to ensure fast and accurate signal detection and receive noise rejection. Upon detection of two or more valid 10BASE-T pulses on the line receive port, the *pass* indication, indicating the presence of valid receive signals or data, will be asserted. When *pass* is asserted, the signal detect threshold is lowered by about 60%, and all adaptive circuits are released from their quiescent operating conditions, allowing them to lock onto the incoming data. In 10BASE-T operation, *pass* will be de-asserted whenever no Manchester data is received. In either case, the signal detect threshold will return to the squelched level whenever the *pass* indication is de-asserted. The *pass* signal is used internally to control the operation of the receive clock recovery.

Receive Clock Recovery

In 10BASE-T mode, the 10MHz clock is recovered using a PLL. For fast acquisition, the receive PLL is locked onto the transmit reference clock during idle receive periods. When Manchester-coded preambles are detected, the PLL adjusts its phase and re-synchronizes with the incoming Manchester data.

Polarity Correction

The 78Q2132 is capable of either automatic or manual polarity reversal for 10BASE-T and auto-negotiation. Register bits MR16.5 and MR16.4 control these features. The default is automatic mode where MR16.5 is low and MR16.4 indicates if the detection circuitry has inverted the input signal. To enter manual mode, MR16.5 is set high and MR16.4 will then control the signal polarity.

78Q2132

1/10BASE-TX

HomePNA/Ethernet Transceiver

SQE Test

The 78Q2132 supports the signal quality error (SQE) function detailed in IEEE-802.3. At an interval of 1μs after each negative transition of the TXEN pin in 10BASE-T mode, the COL pin will go high for a period of 1μs. This function can be disabled through register bit MR16.11.

Natural Loopback

When the 78Q2132 is transmitting and not receiving on the twisted pair media, data on the TXD pins is looped back onto the RXD pins. During a collision, signal from the analog receive pins is decoded and sent to the digital RXD pins, as normal. The natural loopback function can be enabled through register bit MR16.10.

Auto-Negotiation

The 78Q2132 supports the auto-negotiation function of Clause 28 of IEEE-802.3 for 10BASE-T half and full duplex technologies. This function can be enabled via a pin strap to the device or through registers. If the ANEGA pin is tied high, the auto-negotiation function defaults to on and bit MR0.12, ANEGEN, is high after reset. Software can disable the auto-negotiation function by writing to bit MR0.12. If the ANEGA pin is tied low the function defaults to off and bit MR0.12 is set low after reset and cannot be written.

The contents of MII Register MR4 are sent to the link partner during auto-negotiation encoded in FLPs. Technology ability bits MR4.9: 7 are not supported and are permanently tied low. Bits MR4.6:5 reflect the state of the TECH[2:0] pins.

After reset, software can disable the bits but they cannot be enabled unless it's corresponding technology is permitted by the TECH pins.

With auto-negotiation enabled the 78Q2132 will start sending FLPs at power-up, loss of link or a command to restart, if the HomePNA mode is not selected. At the same time it will look for either 10BASE-T idle or FLPs from its link partner. If 10BASE-T idle pattern is detected, the 78Q2132 realizes that its link partner is not capable of auto-negotiation, falls into parallel detect mode and configures itself to half-duplex mode. If FLPs are detected, it decodes and analyzes the link code word (LCW) transmitted by the link partner. When three identical LCWs are received (ignoring the acknowledge bit) the LCW is stored in register 5.

Upon receiving three more identical LCWs, with the acknowledge bit set, the 78Q2132 configures itself to either full duplex or half duplex, whichever is common to the two link partners with Full Duplex taking priority.

Once auto-negotiation is complete, register bit MR18.10 will reflect the duplex mode that was chosen. If HomePNA mode is selected, auto-negotiation is disabled and this bit has no meaning. If auto-negotiation fails to establish a link for any reason, register bit MR18.12 will reflect this and auto-negotiation will restart from the beginning. Writing a one to bit MR0.9, RANEG, will also cause auto-negotiation to restart.

MEDIA INDEPENDENT INTERFACE

MII Transmit and Receive Operation

The MII interface on the 78Q2132 provides independent transmit and receive paths for the 1Mb/s HomePNA interface and the 10Mb/s 10BASE-T data rate as described in Clause 22 of the IEEE-802.3 standard.

The transmit clock, TX_CLK, provides the timing reference for the transfer of TX_EN, and TXD[3:0], signals from the MAC to the 78Q2132. TXD[3:0] is captured on the rising edge of TX_CLK when TX_EN is asserted.

The receive clock, RX_CLK, provides the timing reference to transfer RX_DV, and RXD[3:0], signals from the 78Q2132 to the MAC. RX_DV transitions synchronously with respect to RX_CLK and is asserted when the 78Q2132 is presenting valid data on RXD[3:0].

General Purpose Serial Interface

The seven signals which comprise the GPSI are TX_CLK, TX_EN, TX_DATA, RX_CLK, RX_DATA, CRS, and CLSN. Of these, only TX_EN and TX_DATA are inputs to the 2132; the other five are outputs from the 2132.

The transmit clock, TX_CLK, provides the timing reference for the transfer of TX_EN and TX_DATA signals from the MAC to the 2132. TX_DATA is captured on the rising edge of TX_CLK when TX_EN is asserted.

The receive clock, RX_CLK, provides the timing reference to transfer the RX_DATA signal from the 2132 to the MAC. RX_DATA transitions synchronously on the rising edge of RX_CLK.

78Q2132 1/10BASE-TX HomePNA/Ethernet Transceiver

Carrier Sense, CRS, is asserted high whenever a non-idle condition exists on either the receiver or the transmitter. Typically, GPSI MACs will ignore CRS during transmit modes.

The Collision signal, CLSN, indicates a collision has been detected by the 2132 on the wiring network.

MII/GPSI Selection

The MII on the 78Q2132 is internally connected to the transmit and receive paths for either the 1M8 HomePNA or the 10BASE-T interface as described in Clause 22 of the IEEE 802.3 standard. The MII_EN pin selects the choice of interface or MII Enable bit MR16.1. If the HomePNA port is enabled the MII_EN pin or MII_Enable bit can select either the MII or GPSI Interface. If the device is in 10BASE-T operation both the MII_EN pin and MII Enable bit will have no effect on the selection between MII and GPSI.

Station Management Interface

The station management interface consists of circuitry which implements the serial protocol as described in Clause 22.2.4.4 of IEEE-802.3. A 16-bit shift register receives serial data applied to the MDIO pin at the rising edge of the MDC clock signal. Once the preamble is received, the station management control logic looks for the start-of-frame sequence and a read or write op-code, followed by the PHYAD and REGAD fields. For a read operation, the MDIO port becomes enabled as an output and the register data is loaded into a shift register for transmission. The 78Q2132 can work with a one-bit preamble rather than the 32 bits prescribed by IEEE-802.3. This allows for faster programming of the registers. If a register does not exist at an address indicated by the REGAD field or if the PHYAD field does not match the 78Q2132 PHYAD indicated by the PHYAD pins, a read of the MDIO port will return all ones. For a write operation, the data is shifted in and loaded into the appropriate register after the sixteenth data bit has been received. Writes to registers not supported by the 78Q2132 are ignored.

When the PHYAD field is all zeros, the Station Management Entity (STA) is requesting a broadcast data transaction. All PHYs sharing the same Management Interface must respond to this broadcast request. The 78Q2132 responds to the broadcast data transaction.

ADDITIONAL FEATURES

LED Indicators

There are eight LED pins that can be used to indicate various states of operation of the 2132. There are LED pins that indicate when the 2132 is either transmitting LEDTX or receiving LEDRX, one that signals a collision event LEDCOL, two more that reflect the data rate LED1 and LED10. LFD_SPD reflects full duplex mode of operation when in 802.3 mode and transmit speed when in HomePNA mode. LEDL indicates the link is up in either mode. The LEDPWR pin indicates the power level of the HomePNA port.

General Purpose I/O Interface

The 78Q2132 has a two pin, bi-directional, general purpose interface that can be used for external control or to monitor external signals. The direction of these pins and the data that is either driven or read from these pins is configured via bits MR16.9:6 as detailed in the Vendor Specific Register description in MR16.

Interrupt Pin

The 78Q2132 has an Interrupt pin (INTR) that is asserted whenever any of the Twenty Four interrupt bits of MR17.7:0 for 10BASE-T and P1R3 15:0 for HomePNA are set. These interrupt bits can be disabled via MR17.15:8 and MR19.12 Interrupt Enable bits. The Interrupt Level bit, MR16.14, controls the active level of the INTR pin. When the INTR pin is not asserted, the pin is held in a high impedance state.

78Q2132

1/10BASE-TX

HomePNA/Ethernet Transceiver

PIN DESCRIPTION

LEGEND

TYPE	DESCRIPTION	TYPE	DESCRIPTION
A	Analog Pin	I	Digital Input
O	Digital Output	I/O	Digital Bi-directional Pin
S	Supply	OZ	Tri-stateable digital output

MII (MEDIA INDEPENDENT INTERFACE)/ GPSI (GENERAL PURPOSE SERIAL INTERFACE)

PIN	80-PIN	64-PIN	TYPE	DESCRIPTION
TX_CLK (GPSI & MII)	33	27	OZ	TRANSMIT CLOCK: TX_CLK is a continuous clock which provides a timing reference for the TX_EN, TX_ER and TXD[3:0] signals from the MAC. The clock frequency is 2.5MHz in 10baseT mode and bursty in HomeLAN mode. When the GPSI port is selected, this is the transmit clock for the General Purpose Serial Interface. This pin is tri-stated in isolate mode.
TX_EN (GPSI & MII)	34	28	I	TRANSMIT ENABLE: TX_EN is asserted by the MAC to indicate that valid data for transmission is present on the TXD[3:0] pins. This pin is shared for both the GPSI interface and the MII interface.
TXD[3:0] (TXD[0] = TXDAT in GPSI mode)	40-37	32-29	I	TRANSMIT DATA: When the MII port is selected via the MII_EN select pin, TXD[3:0] receives data from the MAC for transmission on a nibble basis. This data is captured on the rising edge of TX_CLK when TX_EN is high. When the GPSI port is selected, TXD[0] is used for the serial transmit data, TXDAT.
TX_ER	32	26	I	RESERVED
CRS (GPSI & MII)	42	34	OZ	CARRIER SENSE: CRS is high whenever a non-idle condition exists on either the transmitter or the receiver. When the GPSI port is selected, this pin becomes the CRS pin of the GPSI. This pin is tri-stated in isolate mode.
COL (CLSN in GPSI mode)	41	33	OZ	COLLISION: : When the MII port is selected via the GPSI/MII select pin, COL is asserted high when a collision has been detected on the media. In 802.3 mode COL is also used for the SQE test function. When the GPSI port is selected, this pin becomes the CLSN pin of the GPSI. This pin is tri-stated in isolate mode.
RX_CLK (GPSI & MII)	30	24	OZ	RECEIVE CLOCK: RX_CLK is a continuous clock which provides a timing reference to the MAC for the RX_DV, RX_ER and RXD[3:0] signals. When the GPSI port is selected, this pin becomes the RX_CLK pin of the GPSI. The clock frequency is 2.5MHz in 10baseT mode and bursty in HomeLAN mode. This pin is tri-stated in isolate mode.
RX_DV	29	23	OZ	RECEIVE DATA VALID: RX_DV is asserted high to indicate that valid data is present on the RXD[3:0] pins. It transitions high when the start-of-frame delimiter (SFD) is detected. This pin is tri-stated in isolate mode.
RXD[3:0] (RXD[0] = RXDAT in GPSI mode)	23-26	19-22	OZ	RECEIVE DATA: When the MII port is selected via the MII_EN select pin, received data is provided to the MAC via RXD[3:0]. When the GPSI port is selected, RXD[0] is used for the serial received data, RXDAT. This pin is tri-stated in isolate mode.
RX_ER	31	25	OZ	RESERVED

78Q2132
1/10BASE-TX
HomePNA/Ethernet Transceiver

MII (continued)

PIN	80-PIN	64-PIN	TYPE	DESCRIPTION
MDC	22	18	I	MANAGEMENT DATA CLOCK: MDC is the clock used for transferring data via the MDIO pin.
MDIO	21	17	I/O	MANAGEMENT DATA INPUT/OUTPUT: MDIO is a bi-directional port used to access management registers within the 78Q2132. This pin requires an external pull-up resistor as specified in IEEE-802.3.
PHYAD[4:0]	14-18	12-16	I	PHY ADDRESS: Allows 31 configurable PHY addresses. The 78Q2132 always responds to data transactions via the MII interface when the PHYAD bits are all zero independent of the logic levels of the PHYAD pins.

CONTROL AND STATUS

NAME	80-PIN	64-PIN	TYPE	DESCRIPTION
RST	6	4	I	RESET: When pulled low the pin resets the chip. There are 3 other ways to reset the chip: i) through the internal power-on-reset (activated when the chip is being powered up) ii) through the MII register bit MR 0.15 iii) upon exiting power-down mode Refer to the Reset Modes section for more details.
PWRDN	7	5	I	POWER-DOWN: The 2132 may be placed in a low power consumption state by setting this signal to logic high. While in power-down state, the 2132 still responds to management transactions. The same power-down state can also be achieved through the PWRDN bit in the MII register MR0.11.
ISO	57	N/A	I	ISOLATE: When set to logic one, the 2132 will present a high impedance on its MII output pins. This allows for multiple PHYs to be attached to the same MII interface. When the 2132 is isolated, it still responds to management transactions. The same high impedance state can also be achieved through the ISO bit in the MII register MR0.10. This pin also sets the default of the ISO bit.
ISODEF	58	N/A	I	ISOLATE DEFAULT: This pin determines the power-up/reset default of the ISO bit, MR0.10. If it is connected to VDD, ISO bit will have a default value of 1. If it is connected to GND, ISO bit will have a default value of 0.
ANEGA	66	54	I	AUTO-NEGOTIATION ABILITY: Strapped to logic high to allow auto-negotiation function. When strapped to logic low, auto-negotiation logic is disabled and manual technology selection is done through TECH[2:0]. This pin is reflected as ANEGA bit MR1.3.

78Q2132

1/10BASE-TX

HomePNA/Ethernet Transceiver

CONTROL AND STATUS (continued)

NAME	80-PIN	64-PIN	TYPE	DESCRIPTION																		
TECH[2:0]	63-65	51-53	I	<p>TECHNOLOGY ABILITY/SELECT: TECH[2:0] sets the technology ability of the chip which is reflected in MR0.13,8, MR1.14:11 and MR4.12:5.</p> <table border="1"> <thead> <tr> <th>Mode</th> <th>Function</th> </tr> </thead> <tbody> <tr> <td>000</td> <td>10BaseT, half-duplex, full-duplex</td> </tr> <tr> <td>001</td> <td>10BaseT, half-duplex</td> </tr> <tr> <td>010</td> <td>Reserved</td> </tr> <tr> <td>011</td> <td>10BaseT, half-duplex</td> </tr> <tr> <td>100</td> <td>HomePNA</td> </tr> <tr> <td>101</td> <td>10BaseT, full-duplex</td> </tr> <tr> <td>110</td> <td>Reserved</td> </tr> <tr> <td>111</td> <td>10BaseT, half-duplex, full-duplex, HomePNA</td> </tr> </tbody> </table>	Mode	Function	000	10BaseT, half-duplex, full-duplex	001	10BaseT, half-duplex	010	Reserved	011	10BaseT, half-duplex	100	HomePNA	101	10BaseT, full-duplex	110	Reserved	111	10BaseT, half-duplex, full-duplex, HomePNA
Mode	Function																					
000	10BaseT, half-duplex, full-duplex																					
001	10BaseT, half-duplex																					
010	Reserved																					
011	10BaseT, half-duplex																					
100	HomePNA																					
101	10BaseT, full-duplex																					
110	Reserved																					
111	10BaseT, half-duplex, full-duplex, HomePNA																					
MII_EN	74	60	I	<p>MII ENABLE: When this pin is high, the MII port mode is selected. When low, its meaning is dependent on the mode of the chip as shown below:</p> <table border="1"> <thead> <tr> <th>Mode</th> <th>Hi</th> <th>Lo</th> </tr> </thead> <tbody> <tr> <td>HomePNA</td> <td>MII</td> <td>GPSI</td> </tr> <tr> <td>10BT</td> <td>MII</td> <td>MII</td> </tr> </tbody> </table>	Mode	Hi	Lo	HomePNA	MII	GPSI	10BT	MII	MII									
Mode	Hi	Lo																				
HomePNA	MII	GPSI																				
10BT	MII	MII																				

MDI (Media Dependent Interface)

NAME	80-PIN	64-PIN	TYPE	DESCRIPTION
802OP, 802ON	3, 5	1, 3	A	TRANSMIT OUTPUT POSITIVE/NEGATIVE: Transmitter outputs for 803.2.
802IP, 802IN	62, 61	50, 49	A	RECEIVE INPUT POSITIVE/NEGATIVE: Receiver inputs for 802.3.

NAME	80-PIN	64-PIN	TYPE	DESCRIPTION
HLIP, HLIN	68, 67	56, 55	A	RECEIVE POSITIVE/NEGATIVE: Receiver inputs for HomePNA
HLOP, HLON	78, 80	62, 64	A	TRANSMIT POSITIVE/NEGATIVE: Transmitter outputs for HomePNA.

78Q2132

1/10BASE-TX

HomePNA/Ethernet Transceiver

LED INDICATORS

The LED pins use standard logic drivers. They output a logic low when the LED is meant to be on and a logic high when it is meant to be off. The LED should be connected in series with a resistor between the output pin and the power supply.

NAME	80-PIN	64-PIN	TYPE	DESCRIPTION
LEDL	53	43	O	LED LINK: ON for link up.
LEDTX	50	42	O	LED TRANSMIT: ON when there is a transmission (normally OFF). This LED works for both 10BASE-T and HomePNA.
LEDRX	49	41	O	LED RECEIVE: ON when there is a reception (normally OFF). This LED works for both 10BASE-T and HomePNA.
LEDCOL	48	40	O	LED COLLISION: In half duplex or HomePNA mode, this is a collision indicator and turns-ON when a collision occurs. In full duplex mode, this LED is held OFF.
LEDPWR	47	39	O	LED POWER: ON to indicate high power mode when in HomePNA mode.
LED!)	54	44	O	LED 10BASE-T: ON for 10BASE-T connection and OFF for other connections. LED!) is OFF during auto-negotiation.
LFD_SPD	55	45	O	LED FULL DUPLEX/SPEED: When HPNAEN=0 this turns ON when in full duplex mode and OFF when in half duplex mode. When HPNAEN=1 it turns ON to indicate high speed mode.
LED!	56	46	O	LED HOME PNA: ON when HPNAEN=1

OSCILLATOR/CLOCK

NAME	80-PIN	64-PIN	TYPE	DESCRIPTION
XTLI	9	7	A/I	CRYSTAL INPUT: Should be connected to a 25 MHz crystal. Otherwise, it doubles as the clock input pin and connects to a 25 MHz clock source.
XTLO	10	8	A	CRYSTAL OUTPUT PIN: Should be connected to a 25 MHz crystal. When the clock comes from an external clock module, it is not used.

78Q2132

1/10BASE-TX

HomePNA/Ethernet Transceiver

MISCELLANEOUS PINS

NAME	80-PIN	64-PIN	TYPE	DESCRIPTION
GPIO0	19	N/A	I/O	GENERAL PURPOSE I/O PIN: This is an I/O pin that is configurable as an input or an output via management interface. A value of one in bit MR16.6 configures GPIO0 as an input, and a zero configures it as an output. The logic level of the GPIO0 pin is reflected in MR16.7. This pin has a weak internal pull-down to prevent it from floating when configured as an input (it is configured as an input by default).
GPIO1	20	N/A	I/O	GENERAL PURPOSE I/O PIN: This is an I/O pin, which is configurable as an input or an output via the management interface. A value of one in bit MR16.8 configures GPIO1 as an input, and a zero configures it as an output. The logic level of the GPIO1 pin is reflected in MR16.9. This pin has a weak internal pull-down to prevent it from floating when configured as an input (it is configured as an input by default).
INTR	43	35	OZ	INTERRUPT PIN: This pin is used to signal an interrupt to the media access controller. The pin is held in the high impedance state when an interrupt is not indicated. The pin will be forced high or low to signal an interrupt depending upon the value of the INTR_LEVEL bit (MR16.14). The events that trigger an interrupt can be programmed via the Interrupt Control Register located at address MR17 and P1R3 for HomeLAN.

POWER SUPPLY

NAME	80-PIN	64-PIN	TYPE	DESCRIPTION
V _{CC}	8,13, 27,36, 45,51, 60, 79	6,11, 37,48, 63	S	SUPPLY VOLTAGE: Two supply ranges are supported: 5V ± 0.5V, or 3.3V ± 0.3V.
GND	4,11, 12,28, 35,44, 46,52, 59,77	2,9,10, 36,38, 47,61	S	GROUND

REFERENCE PIN

RIBB	70	58	A	BIAS CURRENT SETTING RESISTOR: To be tied to an external resistor that is also connected to the RIBB_RET pin. This resistor should be placed as close as possible to the package pin. A recommended value of 9.76 KΩ ± 1% is provided for reference purposes only.
RIBB_RET	69	57	A	BIAS CURRENT SETTING RESISTOR RETURN PIN: To be connected to external RIBB resistor.
VBG	71	59	A	V BANDGAP BYPASS: Pin for tying bypass cap ~ 0.1uF.

78Q2132

1/10BASE-TX

HomePNA/Ethernet Transceiver

REGISTER DESCRIPTION

The 2132 implements twenty user accessible 16-bit registers which are accessible through the Station Management Interface on the MDIO and MDC pins. The supported registers are shown below. Unsupported registers will be read as all zeros. All of the registers respond to the broadcast address, PHYAD value 00000. The register map is implemented in two pages, with page 0 being the power-up reset default. Page 0 implements the standard 802.3 MII registers along with the vendor specific register set. The vendor specific registers 16, 17, 18, 19 are mapped into both pages for convenience and to implement the page selection via bit MR19.0. Page 1 contains the HomePNA specific registers. The MII management 16-bit register set implemented in the 2132 is as follows:

ADDRESS	Page	SYMBOL	NAME	RESET VALUE (HEX)
0	0	MR0	Control	(0000)
1	0	MR1	Status	(1801)
2	0	MR2	PHY Identifier 1	000E
3	0	MR3	PHY Identifier 2	7121
4	0	MR4	Auto-Negotiation Advertisement	(0061)
5	0	MR5	Auto-Negotiation Link Partner Ability	0000
6	0	MR6	Auto-Negotiation Expansion	0000
7	0	MR7	(Not implemented, read as zero)	0000
8-15	0	MR8-15	(Reserved, read as zero)	0000
16	both	MR16	Vendor Specific	(0141)
17	both	MR17	Interrupt Control/Status Register	0000
18	both	MR18	Diagnostic Register	(0000)
19	both	MR19	HomePNA Register	0000
0	1	P1R0	HomePNA Control	0004
1	1	P1R1	HomePNA Status	0000
2	1	P1R2	HomePNA IMASK	0000
3	1	P1R3	HomePNA ISTAT	0000
4,5	1	P1R4,5	HomePNA TX_PCOM	00000000
6,7	1	P1R6,7	HomePNA RX_PCOM	00000000

Note: MR 3.3:0 contains revision specific data.

LEGEND

TYPE	DESCRIPTION	TYPE	DESCRIPTION
R	Read-able by management	W	Write-able by management
RC	Cleared on a read operation	SC	Self clearing, write-able
0/1	Default value upon power-up or reset	(0/1)	Default value dependent on pin setting. The value in brackets indicates typical case.

In above table, the (xxxx) denotes that some of the bit values are determined by pin settings, and so, the default may be a bit different.

78Q2132
1/10BASE-TX
HomePNA/Ethernet Transceiver

REGISTER DESCRIPTION (continued)

MR0 - CONTROL REGISTER

BIT	SYMBOL	TYPE	DESCRIPTION
0.15	RESET	R, W, 0, SC	GLOBAL: Works for both HPNAEN=0,1 RESET: Setting this bit to logic one resets the entire 2132. This bit is self clearing.
0.14	LOOPBK	R, W, 0	GLOBAL: Works for both HPNAEN=0,1 LOOPBACK: When this bit is set, no transmission of data on the network medium occurs and any receive data on the network medium is ignored. The internal loopback signal path encompasses the 2132 digital core and most of the analog circuitry.
0.13	SPEEDSL	R, 0	HPNAEN=0 SPEEDSL=0; 10BASE-T HPNAEN=1 SPEEDSL=0; 1M8
0.12	ANEGEN	R, (0)	HPNAEN=0 ANEGEN =0 enable FD/HD HPNAEN=1 ANEGEN=0 1M8 AUTO-NEGOTIATION ENABLE: The 2132 supports auto-negotiation for FDX/HDX in 10baseT mode. The default value of this bit is set by the ANEGA pin.
0.11	PWRDN	R, W, 0	GLOBAL: Works for both HPNAEN=0,1 POWER-DOWN: The 78Q2132 may be placed in a low power consumption state by setting this bit to logic one. While in power-down state, the 78Q2132 still responds to management transactions. The power-down state can also be achieved by setting PWRDN pin high.
0.10	ISO	R, W, (0)	GLOBAL: Works for both HPNAEN=0,1 ISOLATE: When set, the 78Q2132 will present a high impedance on its MII output pins. This allows for multiple PHYs to be attached to the same MII interface. When the 78Q2132 is isolated, it stills responds to management transactions. The default value of this bit depends on the ISODEF pin. When ISODEF pin is tied high the ISO bit defaults to high. When ISODEF pin is tied low, the ISO bit defaults to low. The same high impedance state can be achieved through the ISO pin.
0.9	RANEG	R, 0,SC	HPNAEN=0 RESTART AUTO-NEGOTIATION: If auto-negotiation is enabled, setting this bit re-starts the auto-negotiation process. This bit is self-clearing. HPNAEN=1 : reserved

78Q2132
1/10BASE-TX
HomePNA/Ethernet Transceiver

MR0 - CONTROL REGISTER (continued)

BIT	SYMBOL	TYPE	DESCRIPTION
0.8	DUPLEX	R, W, (0)	HPNAEN=0 DUPLEX MODE: This bit determines whether the 2132 supports full duplex or half duplex. A logic one indicates full duplex operation and a logic zero indicates half duplex. When auto-negotiation is enabled, this bit will have no effect on the 2132. At reset, this bit reflects the highest operating mode allowed by the TECH pins. The MII can write to this bit, but the bit will change value only if the new value is allowed by the TECH pins. HPNAEN=1: not applicable
0.7	COLT	R, W, 0	HPNAEN=0 COLLISION TEST: When this bit is set to one, the 78Q2132 will assert the COL signal in response to the assertion of TX_EN signal. Collision test is enabled regardless of the duplex mode of operation. HPNAEN=1: not applicable
0.6:0	RSVD	R, 0	RESERVED

MR1 - STATUS REGISTER

They do not reflect any ability changes made via the MII management interface to bit 0.8 (DUPLEX).

1.15	100T4	R, 0	HPNAEN=0 :100BASE-T4 ABILITY: (0 = not able) HPNAEN=1: not applicable
1.14	100X_F	R, 0	HPNAEN=0: 100BASE-TX FULL DUPLEX ABILITY: (0 = not able) HPNAEN=1: not applicable
1.13	100X_H	R, 0	HPNAEN=0: 100BASE-TX HALF DUPLEX ABILITY: (0 = not able) HPNAEN=1: not applicable
1.12	10T_F	R, (1)	HPNAEN=0: 10BASE-T FULL DUPLEX ABILITY: (1 = able) HPNAEN=1: not applicable
1.11	10T_H	R, (1)	HPNAEN=0: 10BASE-T HALF DUPLEX ABILITY: (1= able) HPNAEN=1: not applicable
1.10:6	RSVD	R, 0	RESERVED
1.5	ANEGC	R, 0	HPNAEN=0: AUTO-NEGOTIATION COMPLETE: A logic one indicates that the auto-negotiation process has completed, the contents of MR4,5,and 6 are valid, and that the highest common duplex mode has been found. HPNAEN=1: not applicable
1.4	RFAULT	R, 0	HPNAEN=0: REMOTE FAULT: A logic one indicates that a remote fault condition has been detected. It remains set until it is cleared. This bit can only be cleared by reading this register MR1 via the management interface. HPNAEN=1: not applicable

78Q2132

1/10BASE-TX

HomePNA/Ethernet Transceiver

REGISTER DESCRIPTION (continued)

MR1 - STATUS REGISTER (continued)

BIT	SYMBOL	TYPE	DESCRIPTION
1.3	ANEGA	R, (0)	HPNAEN=0: AUTO-NEGOTIATION ABILITY: This bit, when set, indicates the ability to perform auto-negotiation. The value of this bit is determined by the ANEGA pin HPNAEN=1: not applicable
1.2	LINK	R, 0	GLOBAL HPNAEN=0: LINK STATUS: A logic one indicates that a valid 10BaseT link has been established. If the link status should transition from an OK status to a NOT-OK status, this bit will become cleared and remain cleared until it is read. HPNAEN=1: LINK STATUS is always logic one if MR19.11 is equal to logic zero. This reflects that the device will be put into HomePNA v1.0 mode. If MR19.11 is a logic 1, then LINK STATUS will reflect the link integrity of the link defined in HomePNA v1.1 LINK STATUS: A logic one indicates that a valid link has been established. If the link status should transition from an OK status to a NOT-OK status, this bit will become cleared and remain cleared until it is read.
1.1	JAB	R, 0, RC	HPNAEN=0: JABBER DETECT: In 10Base-T mode, this bit is set during a jabber event. After a jabber event it remains set until cleared by a read operation. HPNAEN=1: not applicable.
1.0	EXTD	R, 1	GLOBAL: Works for both HPNAEN=0,1 EXTENDED CAPABILITY: This bit is permanently set to logic one to indicate that the 78Q2132 provides an extended register set (MR2 and beyond).

MR2, 3 - PHY IDENTIFIER REGISTER

2.15:0	OUI	R, 000Eh	ORGANIZATIONALLY UNIQUE IDENTIFIER: This value is 00-C0-39 for TDK Semiconductor Corporation. This translates to a value of 000Eh for this register.
3.15:10	OUI	R, 011100	ORGANIZATIONALLY UNIQUE IDENTIFIER: Remaining 6 bits of the OUI.
3.9:4	MN	R, 010010	MODEL NUMBER: The last 2 digits of the model number 78Q2132 is encoded into the 6 bits. (32d-20d=12h)
3.3:0	RN	R,0001	REVISION NUMBER: For example, a value of 0010 corresponds to the second version of the silicon.

78Q2132
1/10BASE-TX
HomePNA/Ethernet Transceiver

MR4 - AUTO-NEGOTIATION ADVERTISEMENT REGISTER

BIT	SYMBOL	TYPE	DESCRIPTION
4.15	NP	R,0	NEXT PAGE: Not supported; permanently tied low
4.14	RSVD	R,0	RESERVED: This bit is permanently tied low
4.13	RF	R,W,0	REMOTE FAULT: When internally set to logic one, the MII management interface indicates to the link partner a remote fault condition.
4.12:5 DETAIL	TAF given	R,W,(03h) below.	TECHNOLOGY ABILITY FIELD: The default value of this field is dependent upon MR1.15:11 bits. This field can be overwritten by management to auto-negotiate to an alternate common technology. Writing to this register has no effect until auto-negotiation is enabled.
4.12:11	RSVD	R,0	RESERVED: For future technology. These bits are permanently tied low.
4.10	A5	R,0	FULL DUPLEX PAUSE: When set by the controller this bit will cause advertisement, using FLP's of the ability to pause when in full duplex mode. Not applicable in HomePNA mode.
4.9	A4	R,0	100BASE-T4: Not supported; permanently tied low
4.8	A3	R,0	100BASE-TX FULL DUPLEX: Not supported; permanently tied low
4.7	A2	R,0	100BASE-TX: Not supported; permanently tied low
4.6	A1	R,W,(1)	10BASE-T FULL DUPLEX: The default value of this bit follows MR1.12. When the default is zero, this bit cannot be set by the management interface.
4.5	A0	R,W,(1)	10BASE-T: The default value of this bit follows MR1.11. When the default is zero, this bit cannot be set by the management interface.
4.4:0	S4:0	R, 00001	SELECTOR FIELD: Hard coded with the value of 00001 for IEEE-802.3.

MR5 - AUTO-NEGOTIATION LINK PARTNER ABILITY REGISTER

BIT	SYMBOL	TYPE	DESCRIPTION
5.15	NP	R, 0	NEXT PAGE: When set, it indicates that the link partner wishes to engage in next page exchange.
5.14	ACK	R,0	ACKNOWLEDGE: When set, it indicates that the link partner has successfully received at least three consecutive and consistent FLP bursts.
5.13	RF	R,0	REMOTE FAULT: When set, it indicates that the link partner has a fault.
5.12:5	TAF	R,0	TECHNOLOGY ABILITY FIELD: This field contains the technology ability of the link partner. The bit definition is the same as MR4.12:5.
5.4:0	S4:0	R, 00000	SELECTOR FIELD: This field contains the type of message sent by the link partner. For IEEE-802.3 compliant link partner transceiver, this field should be 00001.

78Q2132

1/10BASE-TX

HomePNA/Ethernet Transceiver

REGISTER DESCRIPTION (continued)

MR6 - AUTO-NEGOTIATION EXPANSION REGISTER

BIT	SYMBOL	TYPE	DESCRIPTION
6.15:5	RSVD	R, 0	RESERVED: This bit is permanently tied low
6.4	PDF	R,0,RC	PARALLEL DETECTION FAULT: When set, it indicates that more than one technology was detected during link up. This bit is cleared when read.
6.3	LPNPA	R,0	LINK PARTNER NEXT PAGE ABLE: When set, it indicates that the link partner supports the next page function.
6.2	NPA	R,0	NEXT PAGE ABLE: Not supported; permanently tied low
6.1	PRX	R,0,RC	PAGE RECEIVED: Set when a properly matched link code word has been received into the Auto-negotiation Link Partner. This bit is cleared when read.
6.0	LPANEGA	R, 0	LINK PARTNER AUTO-NEGOTIATION ABLE: When set, it indicates that the link partner is able to participate in the auto-negotiation function.

MR16 - VENDOR SPECIFIC REGISTER

BIT	SYMBOL	TYPE	DESCRIPTION
16.15	RSVD	R0	Reserved
16.14	INT LEVEL	R, W, 0	When this bit is a zero, the INTR pin is forced low to signal an interrupt. Setting this bit causes the INTR pin to be forced high to signal an interrupt.
16.13	RSVD	R, 0	RESERVED
16.12	RSVD	R, W, 0	RESERVED
16.11	SQE TEST INHIBIT	R, W, 0	Setting this bit disables 10BASE-T SQE testing. By default, when this bit is a zero, the SQE test is performed by generating a COL pulse following the completion of a packet transmission.
16.10	NATURAL LOOPBACK	R, W, (0)	Setting this bit causes transmitted data on TXD to be automatically looped back to the RXD receive signals when 10BASE-T mode is enabled. In HomePNA mode, the default is 1 and the transmit symbol NT_SYM is looped back into the receive symbol RD_SYM.
16.9	GPIO1_DAT	R, W, 0	GENERAL PURPOSE I/O 1 DATA BIT: When the GPIO_DIR is set, this bit reflects the value of the GPIO1 pin. When the GPIO1_DIR is reset, the value of this bit is driven onto the GPIO1 pin.
16.8	GPIO1_DIR	R, W, 1	GENERAL PURPOSE I/O 1 DIRECTION BIT: Setting this bit configures the GPIO1 pin as an input. Resetting configures GPIO1 as an output.
16.7	GPIO0_DAT	R, W, 0	GENERAL PURPOSE I/O 0 DATA BIT: When the GPIO0_DIR is set, this bit reflects the value of the GPIO0 pin. When the GPIO0_DIR is reset, the value of this bit is driven onto the GPIO0 pin.

78Q2132
1/10BASE-TX
HomePNA/Ethernet Transceiver

MR16 - VENDOR SPECIFIC REGISTER (continued)

BIT	SYMBOL	TYPE	DESCRIPTION												
16.6	GPIO0_DIR	R, W, 1	GENERAL PURPOSE I/O 0 DIRECTION BIT: Setting this bit configures the GPIO0 pin as an input. Resetting it configures GPIO0 as an output.												
16.5	APOL	R, W, 0	AUTO POLARITY: During auto-negotiation and 10BASE-T mode, the 78Q2132 is able to automatically invert the received signal - both the Manchester data and link pulses - if necessary. Setting this bit disables this feature.												
16.4	RVSPOL	R, (W), 0	REVERSE POLARITY: The reverse polarity is detected through 8 inverted 10BASE-T link. When the reverse polarity is detected, the 78Q2132 will invert the receive data path and set this bit to logic one if the feature is not disabled. If APOL is a logic 1, then this bit is write-able. Setting this bit forces the polarity to be reversed.												
16.3:2	RSVD	R, 0	RESERVED. Must be zero.												
16.1	MII_EN	R,W,0	MII ENABLE: When this bit is high, the MII port mode is selected. When low, its meaning is dependent on the mode of the chip as shown below: <table style="margin-left: 40px;"> <thead> <tr> <th>Mode</th> <th colspan="2">Function</th> </tr> <tr> <td></td> <td>Hi</td> <td>Lo</td> </tr> </thead> <tbody> <tr> <td>HomeLAN</td> <td>MII</td> <td>GPSI</td> </tr> <tr> <td>10BT</td> <td>MII</td> <td>MII</td> </tr> </tbody> </table>	Mode	Function			Hi	Lo	HomeLAN	MII	GPSI	10BT	MII	MII
Mode	Function														
	Hi	Lo													
HomeLAN	MII	GPSI													
10BT	MII	MII													
16.0	RSVD	R, 0	RESERVED. Must be zero.												

MR17 - INTERRUPT CONTROL/STATUS REGISTER

The Interrupt Control/Status Register provides the means for controlling and observing the events that trigger an interrupt on the INTR pin. This register can also be used in a polling mode via the MII serial interface as a means to observe key events within the PHY via one register address. These bits are cleared after the register is read. Bits 8-15 of this register, when set to logic one, enable their corresponding bit in the lower byte to signal an interrupt on the INTR pin. The level of this interrupt can be set via MR16.14.

BIT	SYMBOL	TYPE	DESCRIPTION
17.15	JABBER IE	R, W, 0	Jabber Interrupt Enable
17.14	RXER IE	R, W, 0	Receive Error Interrupt Enable: Reserved for 100Base-TX
17.13	PRX IE	R, W, 0	Page Received Interrupt Enable
17.12	PDF IE	R, W, 0	Parallel Detect Fault Interrupt Enable
17.11	LP-ACK IE	R, W, 0	Link Partner Acknowledge Interrupt Enable
17.10	LS-CHG IE	R, W, 0	Link Status Change Interrupt Enable
17.9	RFAULT IE	R, W, 0	Remote Fault Interrupt Enable
17.8	ANEG-COMP IE	R, W, 0	Auto-negotiation Complete Interrupt Enable
17.7	JABBER INT	RC, 0	Jabber Interrupt: This bit is set when a jabber event is indicated by the 10baseT circuitry.

78Q2132

1/10BASE-TX

HomePNA/Ethernet Transceiver

REGISTER DESCRIPTION (continued)

MR17 - INTERRUPT CONTROL/STATUS REGISTER (continued)

BIT	SYMBOL	TYPE	DESCRIPTION
17.6	RXER INT	RC, 0	Receive Error Interrupt: This bit is reserved for 100Base-TX
17.5	PRX INT	RC, 0	Page Received Interrupt: This bit is set when a new page has been received from the link partner during auto-negotiation.
17.4	PDF INT	RC, 0	Parallel Detect Fault Interrupt: This bit is set by the auto-negotiation logic when a parallel detect fault condition is indicated.
17.3	LP-ACK INT	RC, 0	Link Partner Acknowledge Interrupt: This bit is set by the auto-negotiation logic when FLP bursts are received with the acknowledge bit set.
17.2	LS-CHG INT	RC, 0	Link Status Change Interrupt: This bit is set when the link transitions from an OK status to a fail status or vice versa.
17.1	RFAULT INT	RC, 0	Remote Fault Interrupt: This bit is set when a remote fault condition has been indicated by the link partner.
17.0	ANEG-COMP INT	RC, 0	Auto-Negotiation Complete Interrupt: This bit is set by the auto-negotiation logic upon successful completion of auto-negotiation.

MR18 - DIAGNOSTIC REGISTER

18.15:13	RSVD	R, 0	RESERVED
18.12	ANEGF	R,0,RC	AUTO-NEGOTIATION FAIL: This bit is set when auto-negotiation completes and no common technology was found. It remains set until read.
18.11	DPLX	R, 0	DUPLEX: If set it indicates full-duplex operation. If clear it indicates half-duplex mode.
18.10	RATE	R, 0	RATE: Always clear indicating 10BASE-T mode.
18.9	RX-PASS	R, 0	RECEIVE PASS: In 10BASE-T mode, this bit indicates that Manchester data has been detected.
18.8	RX-LOCK	R, 0	RECEIVE LOCK: Indicates that the receive PLL has locked onto the received signal for the selected speed of operation (10BASE-T). This bit is cleared whenever a cycle-slip occurs, and will remain cleared until it is read.
18.7:0	RSVD	R, W, 0	RESERVED. Must be zero.

78Q2132
1/10BASE-TX
HomePNA/Ethernet Transceiver

MR19 – HOMEPNA REGISTER

BIT	SYMBOL	TYPE	DESCRIPTION
19.15	RSVD		Reserved
19.14	HPNAEN	R,W,(0)	HOME PNA Enable: Selects the HomeLAN interface when 1. The default is set by the TECH[2:0] pins. HPNAEN=1 HomePNA mode HPNAEN=0 10BASE-T mode
19.13	RSVD	R,W,0	
19.12	HLAN IE	R, W, 0	HOME PNA INTERRUPT ENABLE. Master enable for HomePNA generated interrupts. Works with HomePNA Interrupt registers on page 1.
19.11	HOMEVER	R,0	HOME PNA VERSION: Implements the HomePNA functionality of v1.1 when a 1. 0 = HomePNA v 1.0 1 = HomePNA v1.1
19.10:1	RSVD	R, 0	Reserved; must be zero.
19.0	PAGE Select	R,W,0	PAGE SELECT: Selects the page of MII registers to be addressed and thus read and/or written. The default, 0, selects the normal MII registers. When 1, the HomePNA and internal registers are accessible. Registers 16, 17, 18, 19 are available (mapped) in both pages.

The HomePNA registers are mapped onto page 1 of the MII register set. They are accessible by setting MR19.0 to a one.

78Q2132
1/10BASE-TX
HomePNA/Ethernet Transceiver

REGISTER DESCRIPTION (continued)

P1R0-14 - Programmable Register Map, PAGE 1

REGISTER	SYMBOL	TYPE	DESCRIPTION	Default
0	CONTROL	R/W	<p>The CONTROL register provides a common location for controlling the general operation of the PHY. This register is composed of the following bit fields:</p> <ul style="list-style-type: none"> bit 0 = (reserved) bit 1 = high power bit 2 = high speed bit 4,3 = (reserved) bit 5 = stop SLICE_LVL adaptation bit 6 = clear the NSE_EVENTS register bit 7 = stop AID address negotiation bit 8 = Cmd high speed bit 9 = Cmd low speed bit 10 = Cmd high power bit 11 = Cmd low power bit 12-14 = (reserved) bit 15 = ignore remote commands 	0x0004
1	STATUS	R/W	<p>The STATUS register provides information regarding the global aspects of the operation of the PHY. This register is composed of the following bit fields:</p> <ul style="list-style-type: none"> bit 0-3 = (reserved) bit 4 = RxVERSION bit 5 = RxSPEED bit 6 = RxPOWER bit 7-11 = (reserved) bit 12 = invert RXCLK bit 13 = invert TXCLK bit 14 = invert CLSN bit 15 = invert CRS 	0x0000
2	IMASK (IMR)	R/W	<p>The interrupt mask register determines which interrupt sources may activate the INTR function. When low, the interrupt is off. The various interrupt sources are mapped into this register (as well as the ISTAT register) as follows:</p> <ul style="list-style-type: none"> bit 0 = Remote Cmd Done (sent) bit 1 = Remote Cmd Valid (received) bit 2 = Packet Transmitted bit 3 = Packet Received bit 4 = Home Link Status Change bit 8 = TxPCOM Ready bit 9 = RxPCOM Valid bit 10-15 = software interrupts 	0x0000

78Q2132
1/10BASE-TX
HomePNA/Ethernet Transceiver

P1R0-14 - PROGRAMMABLE REGISTER MAP, PAGE 1 (continued)

REGISTER	SYMBOL	TYPE	DESCRIPTION	Default
3	ISTAT (ISR)	R/W	The interrupt status register reports the state of each interrupt source, regardless of the state of the IMASK register. The interrupt sources are mapped into this register in an identical manner as the IMASK register. Furthermore, any bit may be written and so facilitate software-stimulated interrupt testing. The appropriate bits in this register must be cleared for the INTN signal to be cleared.	0x0000
4, 5	TX_PCOM	R/W	The 32-bit transmitted data field to be used for out-of-band communication between PHY management entities. No protocol for out-of-band management has been defined. Accessing the low word causes the PHY to send all-0 PCOM's until the high byte has been accessed. Once accessed, the next transmitted packet will cause this register's contents to be shifted out in the PCOM field of the transmitted packet. Upon transmission, this register will read back as all-0's. A non-null transmitted PCOM will set the TxPCOM Ready bit in the ISTAT register. An access to any of the two TxPCOM words will clear the TxPCOM Ready bit in the ISTAT register.	ALL 0's
6, 7	RX_PCOM	R/O	The 32-bit received data field to be used for out-of-band communication between PHY management entities. No protocol for out-of-band management has been defined. Accessing the low word of the register is sufficient to ensure that subsequently received packets will not overwrite the register contents. A non-null received PCOM will set the RxPCOM Valid bit of the ISTAT. Accessing the high word of the register clears this bit and allows over-writing of the register by subsequent received packets.	ALL 0's

78Q2132

1/10BASE-TX

HomePNA/Ethernet Transceiver

ELECTRICAL SPECIFICATIONS

ABSOLUTE MAXIMUM RATINGS

Operation above maximum rating may permanently damage the device.

PARAMETER	RATING
DC Supply Voltage	7 VDC
Storage Temperature	-65 to 150°C
Pin Voltage	-0.3 to (V _{cc} +0.3) VDC
Pin Current	± 100 mA

RECOMMENDED OPERATING CONDITIONS

Unless otherwise noted all specifications are valid over these temperatures and supply voltage ranges:

DC Voltage Supply, V _{cc}	3.3 V ± 0.3V, 5 V ± 0.5V VDC
Ambient Operating Temperature, T _a	0 - 70°C

DC CHARACTERISTICS:

PARAMETER	SYMBOL	CONDITIONS	MIN	NOM	MAX	UNIT
Supply Current	I _{cc}	V _{cc} = 3.3V; 10BT (Idle) 10BT (Normal Activity) 10BT (Peak) HomePNA (Idle) HomePNA (Peak)		25 90	30 85 125 110 170	mA
Supply Current	I _{cc}	V _{cc} = 5.0V; 10BT (Idle) 10BT (Normal Activity) 10BT (Peak) HomePNA (Idle) HomePNA (Peak)		30 100	35 100 140 120 180	mA
Supply Current	I _{cc}	Powerdown mode, oscillator disabled		5	20	μA

78Q2132
1/10BASE-TX
HomePNA/Ethernet Transceiver

DIGITAL INPUT CHARACTERISTICS

Pins of type I, I/O

CHARACTERISTICS	SYMBOL	CONDITIONS	MIN	NOM	MAX	UNIT
TTL Input Voltage Low	V_{IL}				0.8	V
TTL Input Voltage High	V_{IH}		2.0			V
TTL Input Current	I_{IL}, I_{IH}	$V_{CC} = 5.5V$	-10		+10	μA
Input Capacitance	C_{IN}			10		pF

DIGITAL OUTPUT CHARACTERISTICS

Pins of type O, OZ

Output Voltage High	V_{OH}	$4.5V \leq V_{CC} \leq 5.5V$ $I_{OH} = 4.0mA$	$V_{CC}-0.6$			V
Output Voltage Low	V_{OL}	$4.5V \leq V_{CC} \leq 5.5V$ $I_{OL} = 4.0mA$			0.4	V
Output Transition Time Between V_{OL} and V_{OH}	T_t	$4.5V \leq V_{CC} \leq 5.5V$ $I_{OH}, I_{OL} = 4.0mA$		5		ns
Output Voltage High	V_{OH}	$3.0V \leq V_{CC} \leq 3.6V$ $I_{OH} = 2.0mA$	$V_{CC}-0.4$			V
Output Voltage Low	V_{OL}	$3.0V \leq V_{CC} \leq 3.6V$ $I_{OL} = 2.0mA$			0.4	V
Output Transition Time Between V_{OL} and V_{OH}	T_t	$3.0V \leq V_{CC} \leq 3.6V$ $I_{OH}, I_{OL} = 2.0mA$		5		ns

78Q2132

1/10BASE-TX

HomePNA/Ethernet Transceiver

ELECTRICAL SPECIFICATIONS (continued)

DIGITAL TIMING CHARACTERISTICS

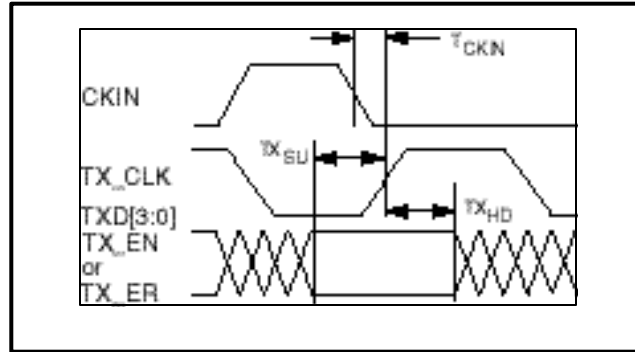


FIGURE 1: Transmit Inputs to the 78Q2132

MII Transmit Interface

CHARACTERISTICS	SYMBOL	CONDITIONS	MIN	NOM	MAX	UNIT
Setup Time: TX_CLK to TXD[3:0], TX_EN, TX_ER	$T_{X_{SU}}$		15			ns
Hold Time: TX_CLK to TXD[3:0], TX_EN, TX_ER	$T_{X_{HD}}$		0			ns
CKIN-to-TX_CLK Delay	T_{CKIN}		0		10	ns
TX_CLK Duty-Cycle			40		60	%

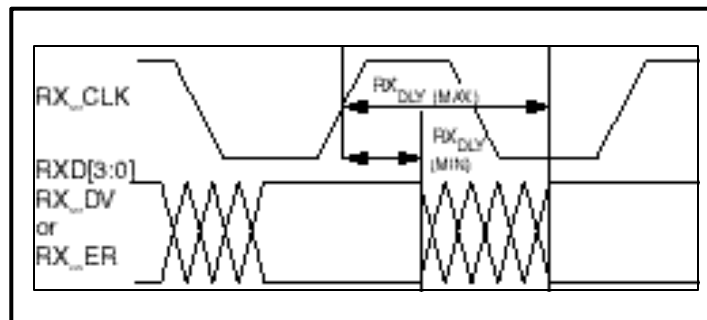


FIGURE 2: Receive Outputs from the 78Q2132

MII Receive Interface

CHARACTERISTICS	SYMBOL	CONDITIONS	MIN	NOM	MAX	UNIT
Receive Output Delay: RX_CLK to RXD[3:0], RX_DV, RX_ER	RX_{DLY}		10			ns
RX_CLK Duty-Cycle			40		60	%

78Q2132
1/10BASE-TX
HomePNA/Ethernet Transceiver

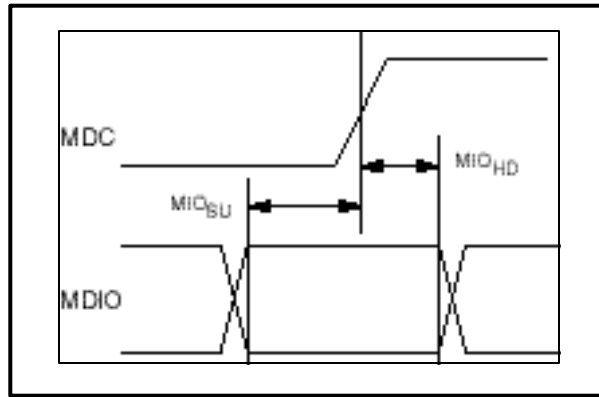


FIGURE 3: MDIO as an Input to the 78Q2132

MDIO Interface Input Timing

CHARACTERISTICS	SYMBOL	CONDITIONS	MIN	NOM	MAX	UNIT
Setup Time: MDC to MDIO	MIO _{SU}		10			ns
Hold Time: MDC to MDIO	MIO _{HD}		0			ns
Max Frequency: MDC	F _{max}				25	MHz

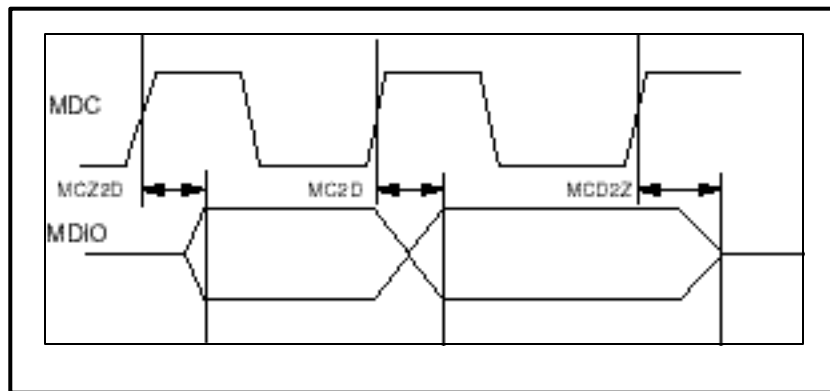


FIGURE 4: MDIO as an Output from the 78Q2132

MDIO Interface Output Timing

CHARACTERISTICS	SYMBOL	CONDITIONS	MIN	NOM	MAX	UNIT
MDC to MDIO data delay	MC2D				30	ns
MDIO output from high Z to driven after MDC	MCZ2D				30	ns
MDIO output from driven to high Z after MDC	MCD2Z				30	ns

78Q2132
1/10BASE-TX
HomePNA/Ethernet Transceiver

ELECTRICAL SPECIFICATIONS (continued)

10BASE-T System Timing

PARAMETER	CONDITION	MIN	NOM	MAX	UNIT
TX_EN (MII) to TD Delay				6	BT
RD to RXDat (MII) Delay				6	BT
Collision delay				9	BT
SQE test wait			1		μs
SQE test duration			1		μs
Jabber on-time		20		150	ms
Jabber off-time		250		750	ms

HomePNA System Timing

TX_EN (MII) to TD Delay				6	BT
RD to RXDat (MII) Delay				6	BT
COL Assert Delay				9	BT
COL De-assert Delay				9	BT
CRS Assert Delay				6	BT
CRS De-assert Delay				6	BT

ANALOG ELECTRICAL CHARACTERISTICS

10BASE-T Transmitter

The Manchester-encoded data pulses, the link pulse and the start-of-idle pulse are tested against the templates and using the procedures found in Clause 14 of IEEE 802.3.

PARAMETER	CONDITION	MIN	NOM	MAX	UNIT
Peak Differential Output Signal	All data patterns	2.2		2.8	V
Link Pulse Width			100		ns
Start-of-Idle Pulse Width		300		350	ns

78Q2132

1/10BASE-TX

HomePNA/Ethernet Transceiver

ELECTRICAL SPECIFICATIONS (continued)

10BASE-T Transmitter

The specifications in the following table are not tested during production test. They are included for information only.

PARAMETER	CONDITION	MIN	NOM	MAX	UNIT
Output return loss		15			dB
Harmonic Content	Any harmonic; dB below fundamental; All ones data	27			dB
Output Impedance Balance	1 MHz < freq < 20 MHz	$29 - 17 \log\left(\frac{f}{10}\right)$			dB
Peak Common-mode Output Voltage				50	mV
Common-mode rejection	15 V _{pk} , 10.1 MHz sine wave applied to transmitter common-mode. All data sequences.			100	mV
Common-mode rejection jitter	15 V _{pk} , 10.1 MHz sine wave applied to transmitter common-mode. All data sequences.			1	ns

10BASE-T Receiver

PLL Locking Time			1.8		μs
Jitter Tolerance (pk-pk)			32		ns
Input Squelched Threshold		600	900	1000	mV
Input Un-squelch Threshold		300	350	400	mV
Noise immunity	Sine waves: 0 < f < 15MHz 0 < f < 2 MHz Sinusoidal Pulses 2 < f < 15 MHz	0 0 0		300 6.2 6.2	mV V V

10BASE-T Receiver

The specifications in the following table are not tested during production test. They are included for information only.

Bit Error Ratio			10 ⁻¹⁰		
Differential Input Resistance		20			kΩ
Common-mode rejection	Square wave 0 < f < 500 kHz	25			V

HomePNA Transmitter

The normalized transmitter output waveform is shown in Figure 6 – HomePNA Transmit Pulse Shape and must be measured directly at the transmitter terminated with 100 ohms. The waveform is bounded by the values of TX_PEAK_V $\pm 15\%$. The waveform has been normalized to the peak value of the envelope TX_PEAK_V, which is specified in the transmit levels table for both HIGH and LOW power level options.

The maximum values of the waveform after 1 usec from when it first crosses the 5 mV threshold does not exceed the mask of Figure 6 – HomePNA Transmit mask for times greater than 1usec.

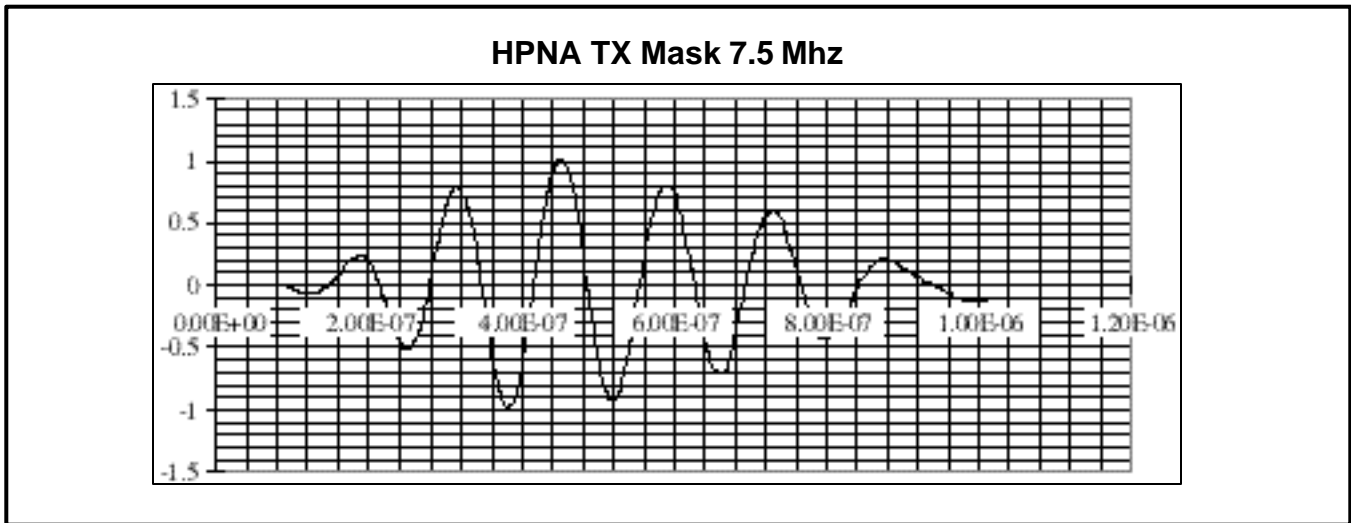


Figure 6 – HomePNA Transmit Pulse Shape

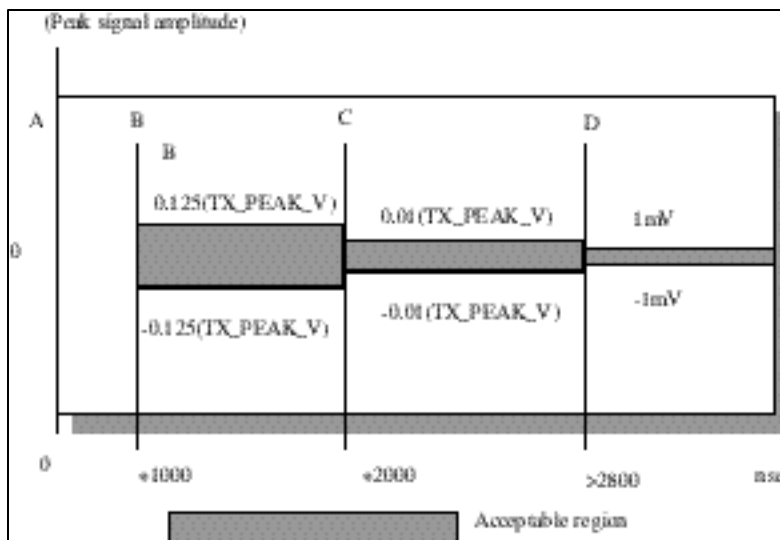


Figure 7 – HomePNA Transmit mask for times greater than 1usec

78Q2132

1/10BASE-TX

HomePNA/Ethernet Transceiver

ELECTRICAL SPECIFICATIONS (continued)

The output power spectrum meets the spectral mask of Figure 8 – HomePNA PSD Mask with a termination of 100 ohms and back-to-back Ethernet packets of 1518 bytes length with random data. The resolution bandwidth shall be 100 kHz. The specified PSD levels include thermal noise. The power level requirements below 1.1 MHz allow 1M8 PHY stations to interoperate with G.dmt and G.lite modems.

Two power operating modes are defined, LOW_POWER and HIGH_POWER. The maximum Power Spectral Density (PSD) levels for the modes are defined in Figure 8 – HomePNA PSD Mask. For applications interfacing to the PSTN, the power levels of FCC Part 68 shall not be exceeded.

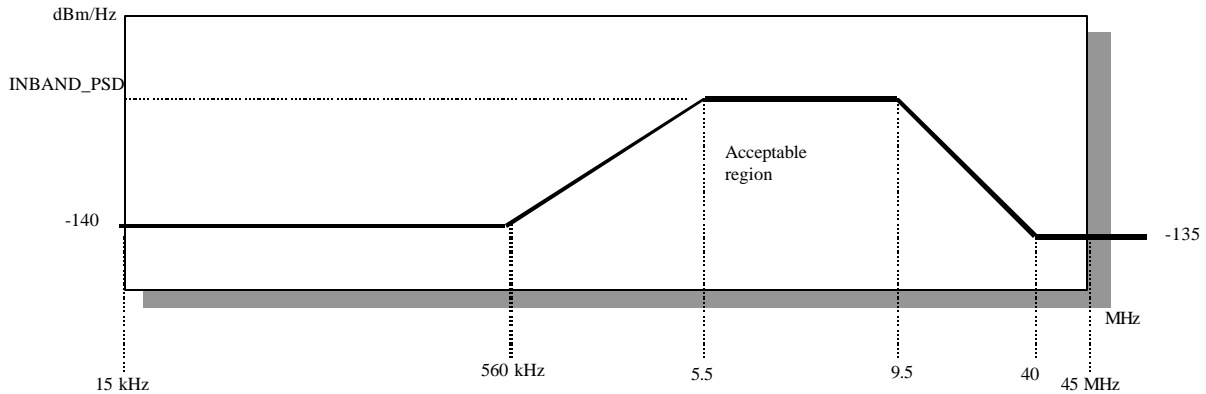


Figure 8 – HomePNA PSD Mask

Power Mode	Max INBAND_PSD (dBm/Hz)	Min attenuation at > +/- 3.5 MHz from carrier	MAX PSD below 560 kHz dBm/Hz	MAX PSD below 1.2 MHz dBm/Hz	MAX PSD above 40 MHz dBm/Hz
LOW_POWER	-62	30 dB	-140	-135	-135
HIGH_POWER	-56	30 dB	-140	-135	-135

Table 1 – HomePNA Power Spectral Levels

HomePNA Transmitter

PARAMETER	CONDITION	MIN	NOM	MAX	UNIT
Transmit Level – High Power TX_PEAK_V	At line output of HomePNA device with 100ohm load connected	1	1.2	1.4	Vpk
Transmit Level – Low Power TX_PEAK_V	same	0.5	0.6	0.7	Vpk
Out-of-Band Level @ 1.2Mhz	Nom transmit signal	-80			dB

78Q2132
1/10BASE-TX
HomePNA/Ethernet Transceiver

HomePNA Receiver

PARAMETER	CONDITION	MIN	NOM	MAX	UNIT
Dynamic Range for 1% PER	20mV necessary for PER measurements	20m		1.2	Vpk
Collision Domain	Repeaters cannot be used			500	ft
Signal/Noise		100			mV

Impulse Noise Performance

Receiver Signal level (mV peak) \pm 10%	Impulse Noise level (mV peak) \pm 10%	Packet Error Rate (PER)
20 to 1200	5	0.1 %
100 to 200	20	1 %
200 to 1200	20	0.1 %

Gaussian Noise Performance

Receiver Signal level (mV peak \pm 10 %)	Gaussian Noise level (mV peak \pm 10 %)	Packet Error Rate (PER)
20 to 1200	5	0.01%
100 to 1200	20	0.5%

REFERENCE CRYSTAL

If the internal crystal oscillator is to be used, a crystal with the following characteristics should be chosen:

NAME	VALUE	UNITS
Frequency	25.00000	MHz
Load Capacitance	15	pF
Frequency Tolerance	\pm 50	PPM
Aging	\pm 2	PPM/yr
Temperature Stability (0 – 70°C)	\pm 5	PPM
Oscillation Mode	Parallel Resonance, Fundamental Mode	
Parameters at 25°C \pm 2°C ; Drive Level = 0.5 mW		
Shunt Capacitance (max)	8	pF
Motional Capacitance (min)	10	fF
Series Resistance (max)	25	Ω
Spurious Response (max)	> 5 dB below main within 500 kHz	

78Q2132

1/10BASE-TX

HomePNA/Ethernet Transceiver

ELECTRICAL SPECIFICATIONS (continued)

10BASE-T ISOLATION TRANSFORMERS

Two simple isolation transformers are all that are required at the line interface, but transformers with integrated common-mode choke are recommended for exceeding FCC requirements. This table gives the recommended line transformer characteristics:

NAME	Tx VALUE	Rx VALUE	CONDITION
Turns Ratio	1.414 CT : 1 CT \pm 5%	1 CT : 1 CT \pm 5%	
Open-Circuit Inductance	350 uH (min)	350 uH (min)	@ 10 mV, 10 kHz
Leakage Inductance	0.40 uH (max)	0.40 uH (max)	@ 1 MHz (min)
Inter-Winding Capacitance	12 pF (max)	12 pF (max)	
D.C. Resistance	0.9 Ω (max)	0.9 Ω (max)	
Insertion Loss	1.1 dB (typ)	1.1 dB (typ)	0 – 100 MHz
HIPOT	1500 Vrms	1500 Vrms	

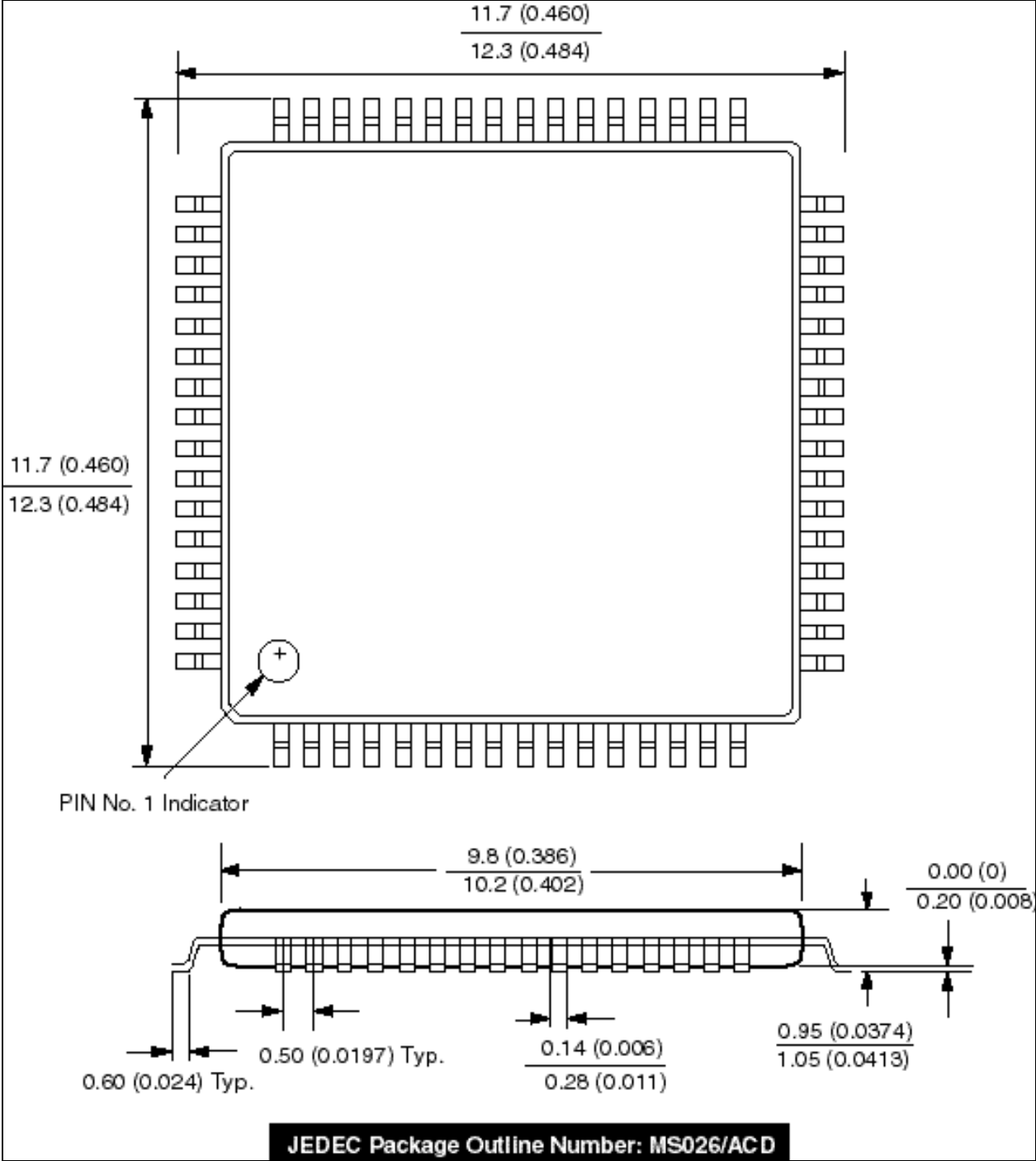
HomePNA ISOLATION TRANSFORMER

A simple 1:1 isolation transformer with integrated series capacitor in the primary is required at the line interface, but transformers with integrated common-mode choke are recommended for exceeding FCC requirements. This table gives the recommended line transformer characteristics:

NAME	VALUE	CONDITION
Turns Ratio	1 CT : 1 CT \pm 5%	
Open-Circuit Inductance	140 uH (min)	@ 100 mVRMS, 100 KHz
Leakage Inductance	2.0 uH (max)	@ 1 MHz (min)
Inter-Winding Capacitance	6 pF (max)	
D.C. Resistance	0.25 Ω (max)	
Insertion Loss	1.1 dB (typ)	0 – 100 MHz
HIPOT	2000 Vrms	
Series C at line side	0.001uF @ 2000v	

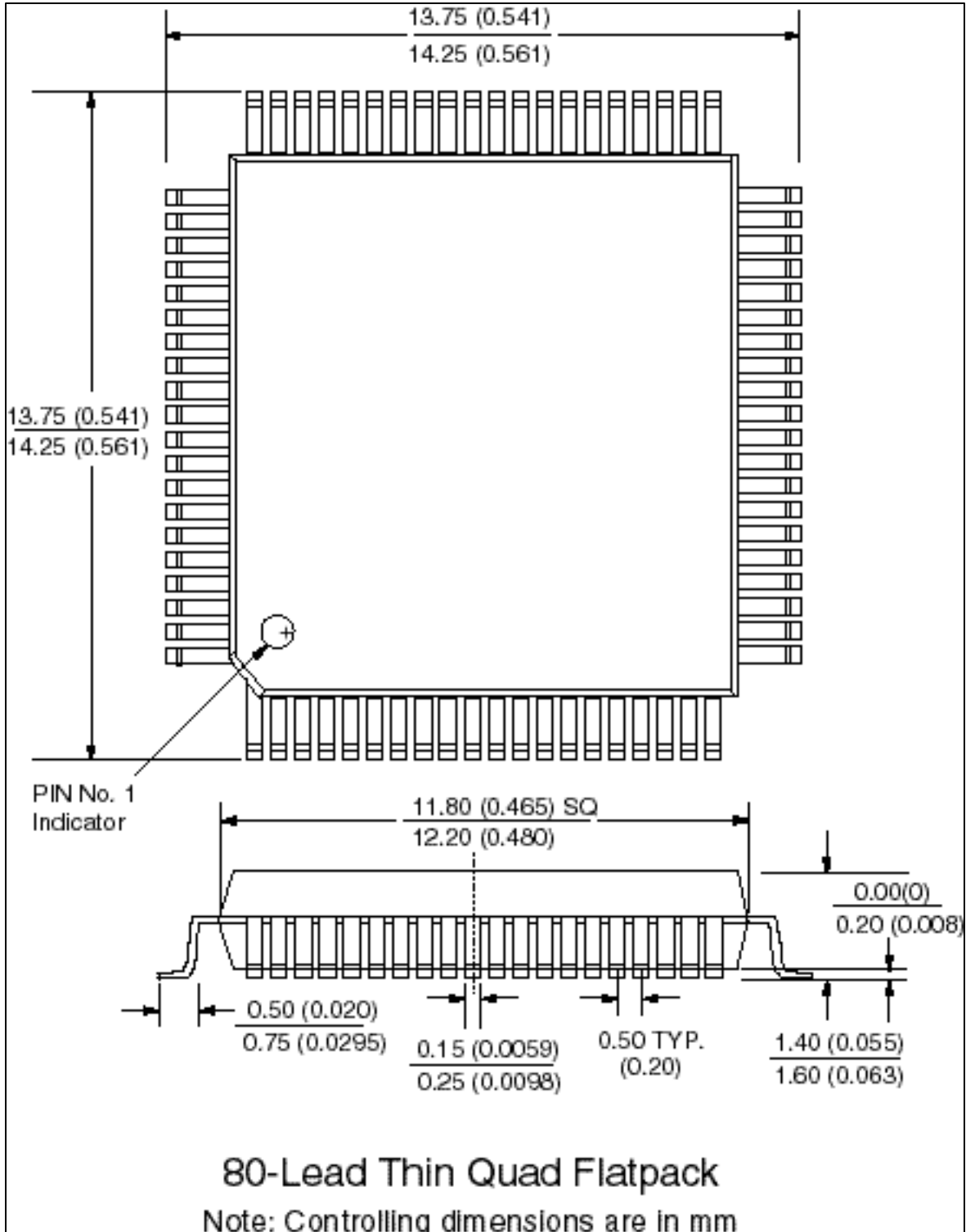
78Q2132
1/10BASE-TX
HomePNA/Ethernet Transceiver

MECHANICAL DRAWINGS



78Q2132
1/10BASE-TX
HomePNA/Ethernet Transceiver

MECHANICAL DRAWINGS (continued)

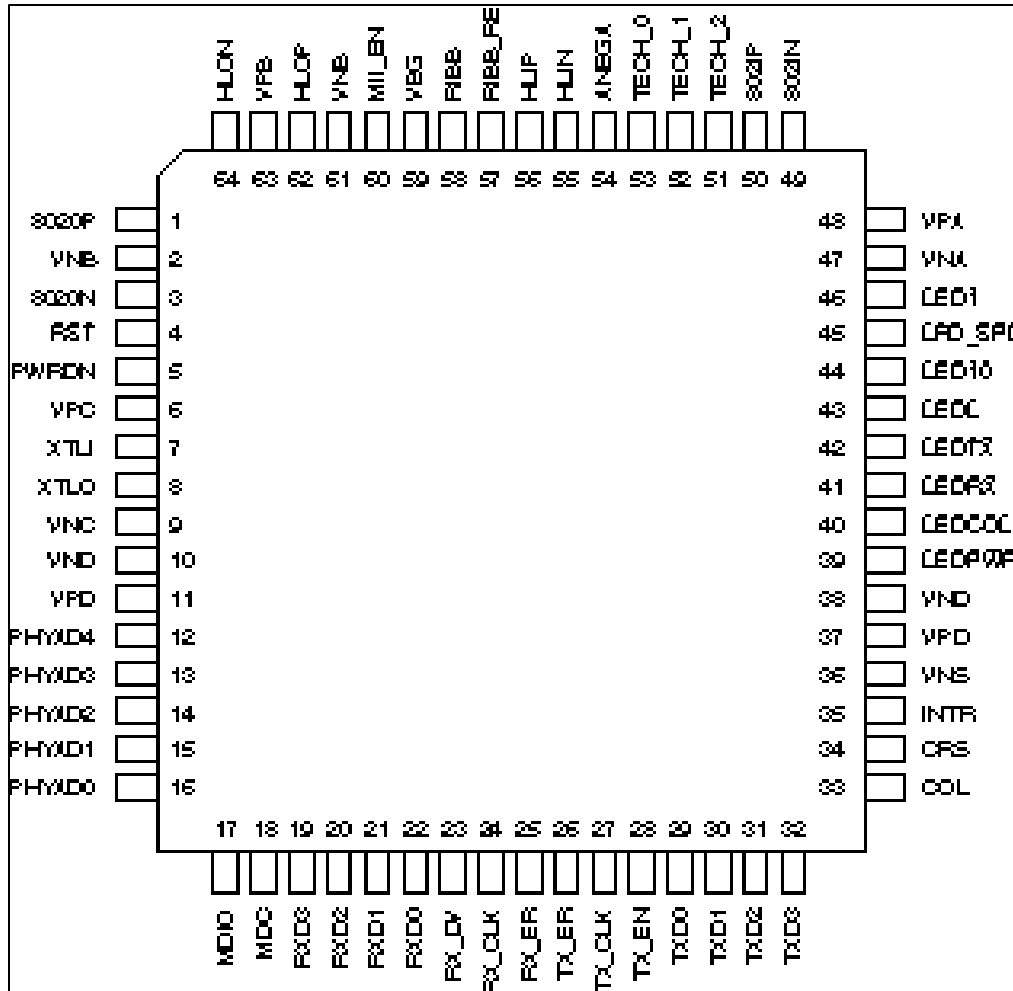


78Q2132 1/10BASE-TX HomePNA/Ethernet Transceiver

PACKAGE PIN DESIGNATIONS

(Top View)

CAUTION: Use handling procedures necessary for a static sensitive component



**64-Lead Thin Quad Flatpack
78Q2132**

78Q2132

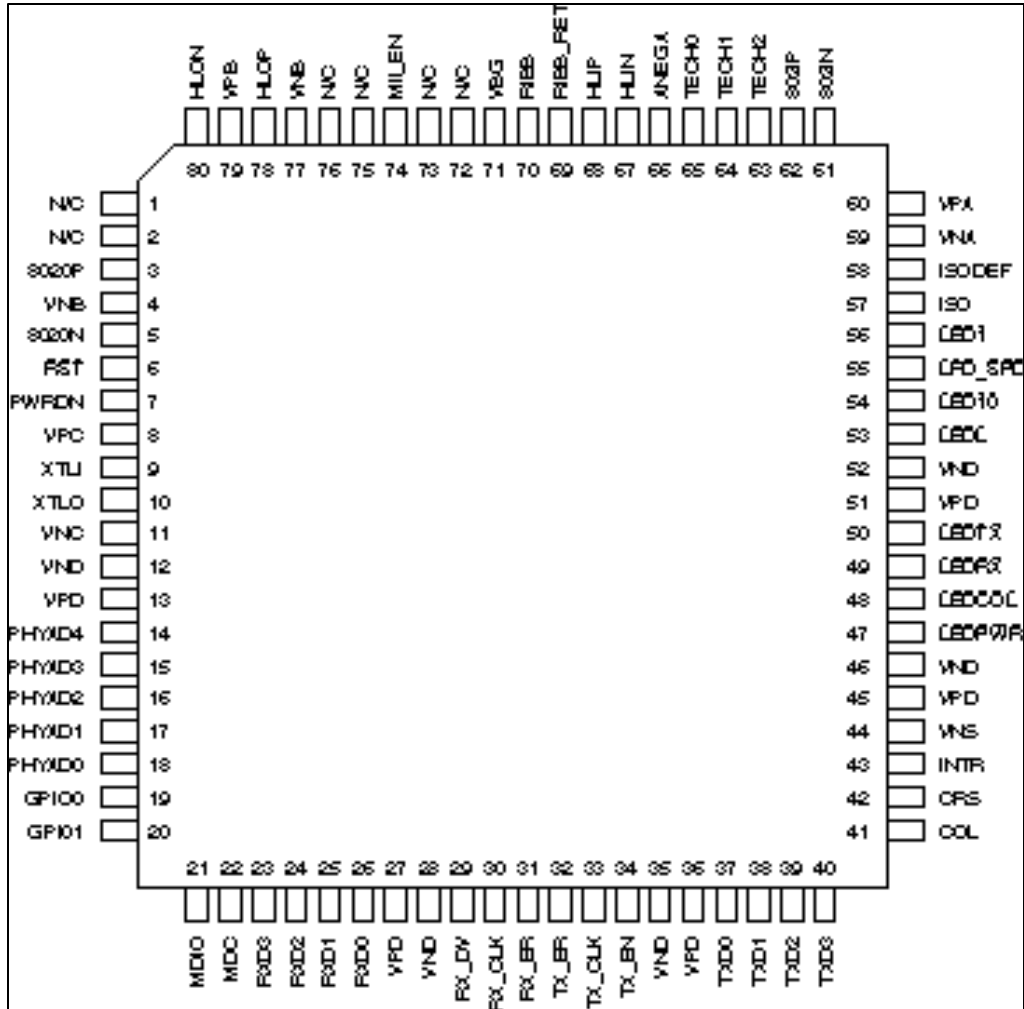
1/10BASE-TX

HomePNA/Ethernet Transceiver

PACKAGE PIN DESIGNATIONS (continued)

(Top View)

CAUTION: Use handling procedures necessary for a static sensitive component



80-Lead TQFP
78Q2132

Target Specification: The Target Specification is intended as a proprietary initial disclosure of specification goals for the product. The specifications are based on design goals, subject to change and are not guaranteed. TDK Semiconductor assumes no obligation regarding future manufacture unless agreed to in writing.

No responsibility is assumed by TDK Semiconductor Corporation for use of this product nor for any infringements of patents and trademarks or other rights of third parties resulting from its use. No license is granted under any patents, patent rights or trademarks of TDK Semiconductor Corporation, and the company reserves the right to make changes in specifications at any time without notice. Accordingly, the reader is cautioned to verify that the data sheet is current before placing orders.

TDK Semiconductor Corporation, 2642 Michelle Drive, Tustin, CA 92780-7019, (714) 508-8800, FAX: (714) 508-8877