

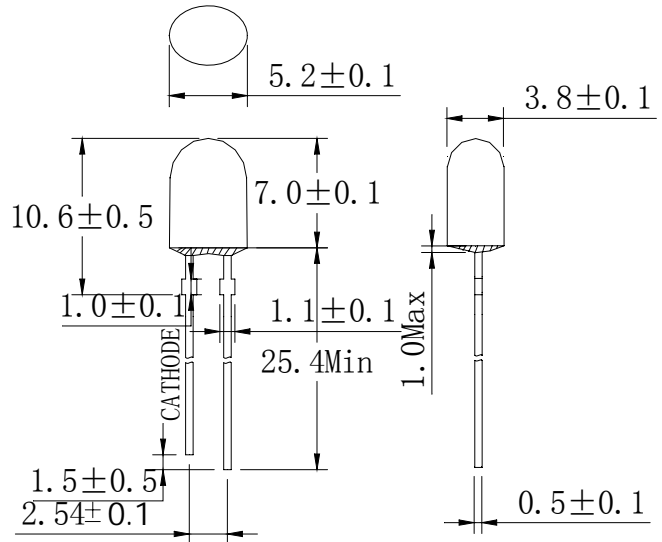
## Part No.: 7511MR2D

### Features:

- Single color
- High bright output
- Low power consumption
- High reliability and long life

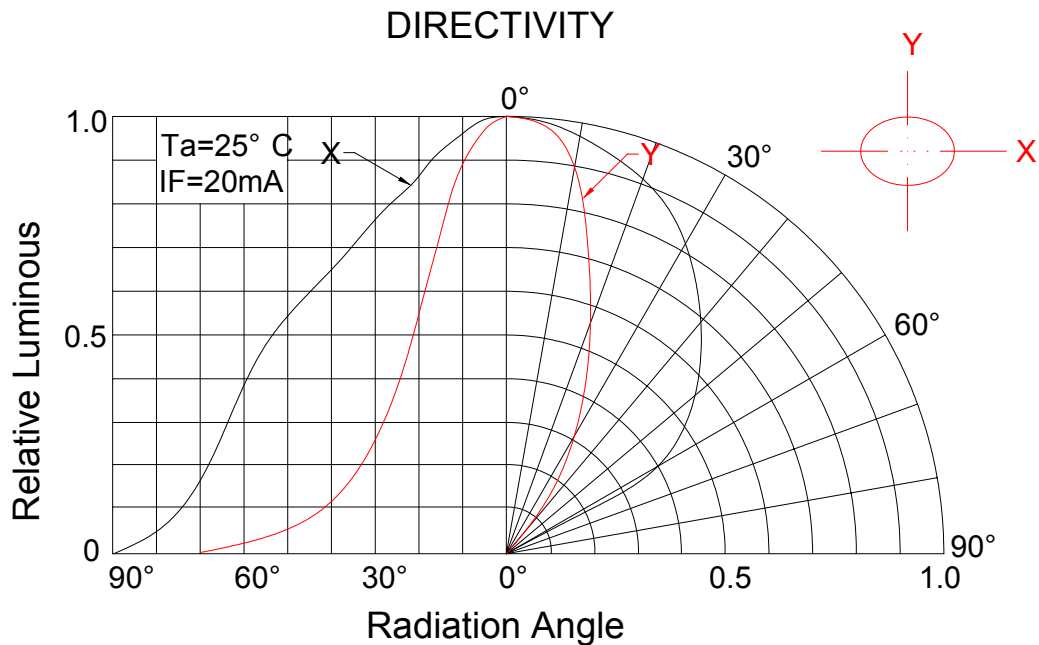
### Descriptions:

- Dice material: AlGaInP
- Emitting Color: Super Bright Red
- Device Outline: 5.2×3.8mm Oval Type
- Lens Type: Red Diffused



### NOTE:

- All dimensions are millimetres.
- Tolerance is +/-0.25mm unless otherwise noted.





# LED SPECIFICATION

Part No.: 7511MR2D

## Absolute maximum ratings (Ta = 25°C)

Parameter	Symbol	Test Condition	Value		Unit
			Min.	Max.	
Reverse Voltage	V <sub>R</sub>	I <sub>R</sub> = 30 μA	5	--	V
Forward Current	I <sub>F</sub>	----	----	30	mA
Power Dissipation	P <sub>d</sub>	----	----	70	mW
Pulse Current	I <sub>peak</sub>	Duty=0.1mS, 1kHz	----	100	mA
Operating Temperature	T <sub>opr</sub>	----	-20	+85	°C
Storage Temperature	T <sub>str</sub>	----	-25	+100	°C

## Electrical and optical characteristics (Ta = 25°C)

Parameter	Symbol	Test Condition	Value			Unit
			Min.	Typ.	Max.	
Forward Voltage	V <sub>F</sub>	I <sub>F</sub> = 20mA	----	2.0	2.5	V
Reverse Current	I <sub>R</sub>	V <sub>R</sub> = 5V	----	----	30	μA
Dominate Wavelength	λ <sub>d</sub>	I <sub>F</sub> = 20mA	----	625	----	nm
Spectral Line half-width	Δλ	I <sub>F</sub> = 20mA	----	20	----	nm
Luminous Intensity	I <sub>v</sub>	I <sub>F</sub> = 20mA	----	400	---	mcd
Viewing Angle	2θ 1/2	I <sub>F</sub> = 20mA	----	110/50	---	Deg.



# LED SPECIFICATION

Part No.: 7511MR2D

Typical electrical/optical characteristic curves:

