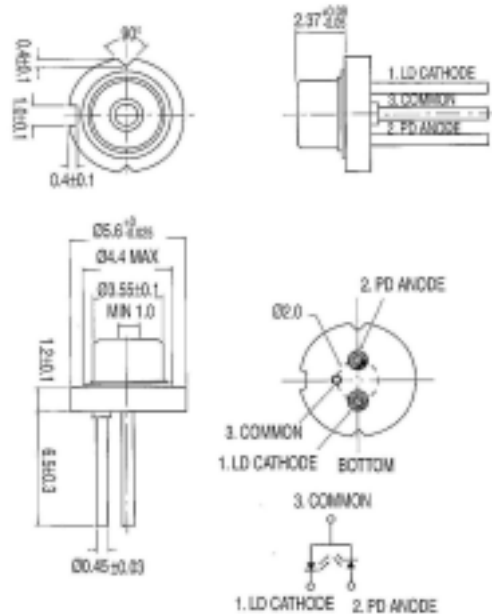




6750-7241-AU 670nm 5 mW Laser Diodes AUTO PACKAGE

Specifications

Device Laser Diode
 Package Type TO-18(5.6mm)



Absolute Maximum Ratings(Tc=25)

Characteristics	Symbols	Ratings	Units
Optical Output	Po	5	mW
Reverse Voltage	Laser	Vr	2
	PIN PD	Vr(PIN)	10
Operating Temperature	Top	-10 +50	
Storage Temperature	Tstg	-40 +85	

Electrical and optical Characteristics(Tc=25)

Characteristics	Symbols	Conditions	Min.	Typ.	Max.	Units
Threshold Current	Ith	-	-	20	30	mA
Operating Current	Iop	Po=5mW	-	35	50	mA
Operating Voltage	Vop	Po=5mW	-	2.3	2.6	Volts
Slope Efficiency		2mW	0.2	0.6	1.0	mW/mA
		I(5mW)-I(3mW)				
Monitor Current	Im	Po=5mW	-	0.15	1.0	mA
Beam Divergence (FWHM)	Parallel	Po=5mW	-	8.5	-	deg.
	Prependicular	Po=5mW	-	22	-	deg.
Parallel Deviation Angle	//	Po=5mW	-3	-	3	deg.
Perpendicular Deviation Angle		Po=5mW	-3	-	3	deg.
Emission Point Accuracy	X	Po=5mW	-80	-	80	µm
	Y	Po=5mW	-80	-	80	µm
	Z	Po=5mW	-80	-	80	µm
Lasing Wavelength		Po=5mW	660	670	680	nm

Im is sorting by custom's need

// and are defined as the angle within which the intensity is 50% of the peak value.