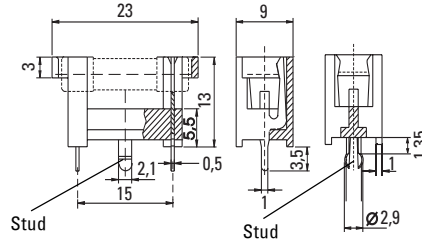
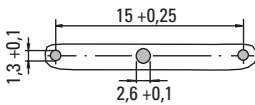
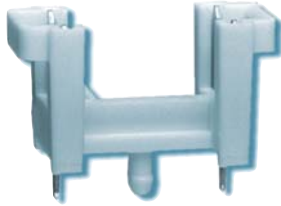


## Holder / No. 649

## PC Mount, 5x20mm Fuses, leadfree



PCB-Thickness: 1.6mm ± 0.14mm

## Specifications

**Standard**  
IEC 60127-6  
UL 512

**Packaging**  
100: Bulk (500 pcs.)  
103: Bulk (4x3000 pcs.)

### Approvals



**Mounting**  
Solder pins 0.5 x 1.0mm and plastic stud

**Materials**  
Holder: White Thermoplastic, UL94 V-0  
Polybutylenterephthalat PBTP  
Metal parts: Copper alloy  
Solderable, tinned

**Protection Class & Category**  
PC1 (IEC 60127-6)

**Electrical Data (23°C)**  
Rated Voltage: 250V  
Max. Current/Power: 6.3A/1.6W

**Minimum Cross Section**  
Conducting path - 0.2mm<sup>2</sup>

**Operating Temperature**  
-25°C to +70°C (consider de-rating)

**Stock Conditions**  
+10°C to +60°C  
relative humidity ≤ 75% yearly average,  
without dew, maximum value for 30 days - 95%

**Contact Resistance**  
≤ 5mΩ

**Isolation Resistance**  
10<sup>12</sup>MΩ

**Solderability**  
235°C, 2 sec. (soldering bath; IEC 60068-2-20)

**Soldering Heat Resistance**  
260°C, 10 sec. (soldering bath; IEC 60068-2-20)

**Marking**  
Approvals

**Unit Weight**  
1.2g

### Order Info

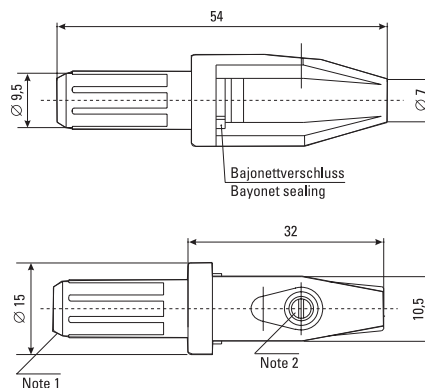
Qty.	Order-Number	Series	Packaging
		649	0000 100/103

Specifications are subject to change without notice

## Holder / No. 271.1101

formerly 510

## In-Line Type, 5x20mm Fuses leadfree



**Packaging**  
000: Bulk (100 pcs.)

**Mounting**  
In-line, for use with customer-provided cables

**Terminals**  
Crimp-type with ferrule (Note 1)  
Screw-type (Note 2)

**Materials**  
Holder: Black Thermoplastic  
Metal Parts: Copper alloy, corrosion-protected

**Electrical Data (23°C)**  
Rated Voltage: 250V  
Maximum Current: 6.3A

**Minimum Cross Section**  
Conductor - 2.5mm<sup>2</sup>

**Unit Weight**  
6.0g

### Order Info

Qty.	Order-Number	Series	Packaging
		271	1101 000

Note: 1.00 means the number one with two decimal places. 1,000 means the number one thousand.

Specifications are subject to change without notice