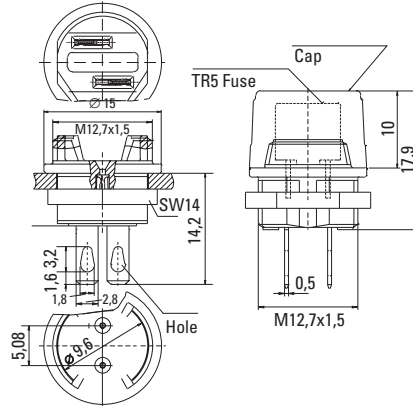
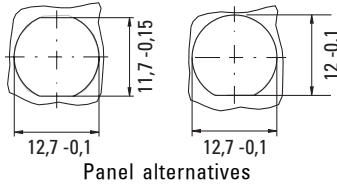


## Holder / No. 570

### Panel Mount, for TR5®/TE5® Fuses



with cap 575 IP40  
(only on front side)



## Specifications

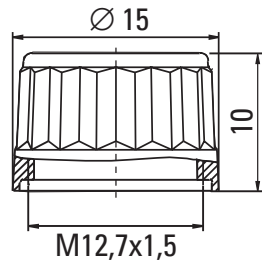
- Packaging**  
000 bulk (100 pcs.)
- Order Number**  
Holder No. 570 0000 000
- Mounting**  
12.7mm diameter D-hole or double D-hole  
Admissible torque on plastic hex nut is 1.2Nm
- Terminals**  
Solderable or 2.8mm quick connect-fits 0.5mm tab
- Materials**  
Holder: Black Thermoplastic, UL 94 V-0  
Polyamide PA 6.6  
Metal parts: Copper alloy  
Solderable tinned
- Electrical Data (23°C/without Cap)**  
Rated Voltage: 250V  
Max. Current/Power: 6.3A/2.5W
- Minimum Cross Section**  
Conductor - 2.5mm<sup>2</sup>
- Unit Weight**  
2.2g

### Order Information

Qty.	Order-Number	Series	Packaging
		570	0000 000

Specifications are subject to change without notice

## Cap / No. 575



- Packaging**  
000 bulk (100 pcs.)
- Order Number**  
Cap No. 575 0000 000
- Plastic Cap**  
Use with No. 570 or No. 571
- Materials**  
Cap: Transparent Thermoplastic  
Polycarbonat PC, UL94 V-0
- Unit Weight**  
0.94g

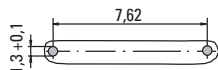
### Order Information

Qty.	Order-Number	Series	Packaging
		575	0000 000

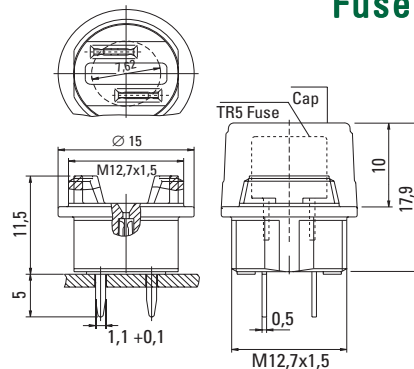
Specifications are subject to change without notice

## Holder / No. 571

### PC Mount, for TR5®/TE5® Fuses



Holes in PCB



- Packaging**  
000 bulk (100 pcs.)
- Order Number**  
Holder No. 571 0000 000
- Mounting**  
PC Board, 7.62mm hole spacing
- Materials**  
Holder: Black Thermoplastic, UL94 V-0  
Polyamide PA 6.6  
Metal parts: Copper alloy  
Solderable, tinned
- Electrical Data (23°C/without Cap)**  
Rated Voltage: 250V  
Max. Current/Power: 6.3A/2.5W
- Minimum Cross Section**  
Conducting path - 0.2mm<sup>2</sup>
- Unit Weight**  
1.6g

### Order Information

Qty.	Order-Number	Series	Packaging
		571	0000 000

Specifications are subject to change without notice

Note: 1.00 means the number one with two decimal places. 1,000 means the number one thousand.